

TESLA

DISHWASHER

WDI690M

User Manual

ENG

BiH/
CG

BG

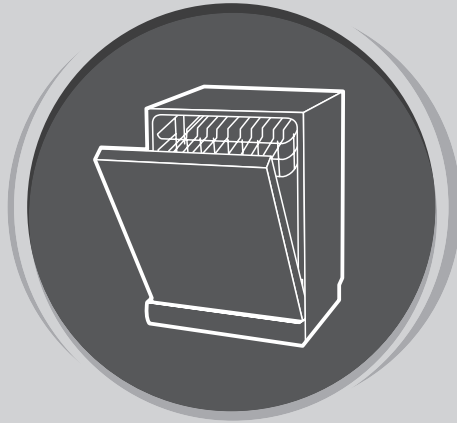
RO

SLO

SRB



Product images are for illustrative purposes only and may differ from the actual product.



DISHWASHER

User Manual

PART I: GENERIC VERSION

Please read this manual carefully before using the dishwasher and
Keep this manual for future reference.

SAFETY INSTRUCTIONS

WARNING!

When using your dishwasher, follow the precautions listed below:

- Installation and repair can only be carried out by a qualified technician
- This appliance is intended to be used in household and similar applications such as:
 - staff kitchen areas in shops, offices and other working environments;
 - farm houses;
 - by clients in hotels, motels and other residential type environments;
 - bed and breakfast type environments.
- This appliance can be used by children aged from 8 years and above and persons with reduced physical, sensory or mental capabilities or lack of experience and knowledge if they have been given supervision or instruction concerning use of the appliance in a safe way and understand the hazards involved. Children should not play with the appliance. Cleaning and user maintenance should not be done by children without supervision. (For EN60335-1)
- This appliance is not intended for use by persons (including children) with reduced physical, sensory or mental capabilities, or lack of experience and knowledge, unless they have been given supervision or instruction concerning use of the appliance by a person responsible for their safety. (For IEC60335-1)
- Packaging material could be dangerous for children! This appliance is for indoor household use only.
- To protect against the risk of electrical shock, do not immerse the unit, cord or plug in water or other liquids. Please unplug before cleaning and performing maintenance on the appliance.
- Use a soft cloth moistened with mild soap, and then use a dry cloth to wipe it again.

Grounding Instructions

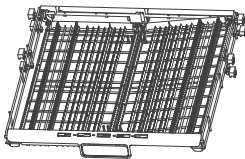
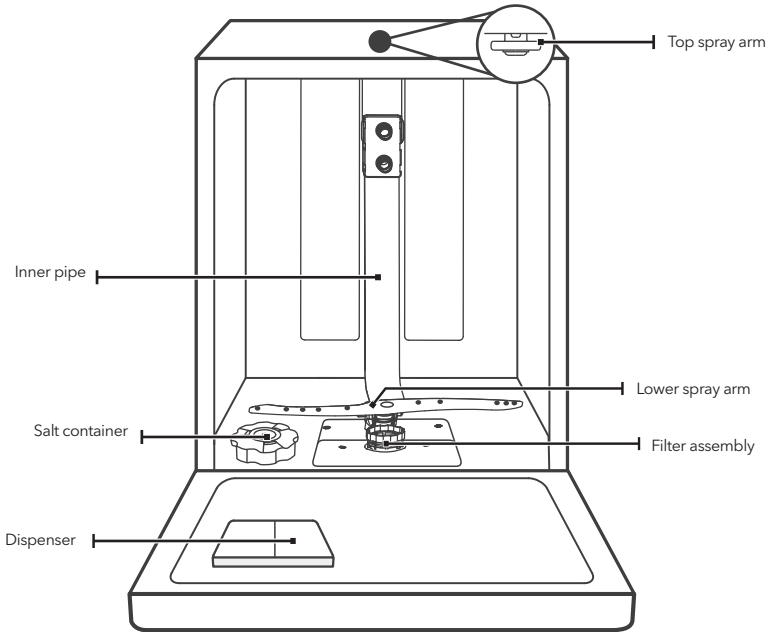
- This appliance must be grounded. In the event of a malfunction or breakdown, grounding will reduce the risk of an electric shock by providing a path of least resistance for the electric current. This appliance is equipped with a grounding conductor plug.
- The plug must be plugged into an appropriate outlet that is installed and grounded in accordance with all local codes and ordinances.
- Improper connection of the grounding conductor can result in the risk of an electric shock.
- Check with a qualified electrician or service representative if you are in doubt whether the appliance is properly grounded.

- Do not modify the plug provided with the appliance; If it does not fit the outlet.
- Have a proper outlet installed by a qualified electrician.
- Do not abuse, sit on, or stand on the door or dish rack of the dishwasher.
- Do not operate your dishwasher unless all enclosure panels are properly in place.
- Open the door very carefully if the dishwasher is operating, there is a risk of water squirting out.
- Do not place any heavy objects on, or stand on the door when it is open. The appliance could tip forward.
- When loading items to be washed:
 1. Locate sharp items so that they are not likely to damage the door seal;
 2. Warning: Knives and other utensils with sharp points must be loaded in the basket with their points facing down or placed in a horizontal position.
- Some dishwasher detergents are strongly alkaline. They can be extremely dangerous if swallowed. Avoid contact with the skin and eyes and keep children away from the dishwasher when the door is open.
- Check that the detergent powder case is empty after completion of the wash cycle.
- Do not wash plastic items unless they are marked "dishwasher safe" or equivalent.
- For plastic items not so marked, check the manufacturer's recommendations.
- Use only detergents and rinse agents recommended for use in an automatic dishwasher.
- Never use soap, laundry detergent, or hand washing detergent in your dishwasher.
- The door should not be left open, since this could increase the risk of tripping.
- If the supply cord is damaged, it must be replaced by the manufacturer or its service agent or a similarly qualified person in order to avoid a hazard.
- During installation, the power supply must not be excessively or dangerously bent or flattened.
- Do not tamper with controls.
- The appliance needs to be connected to the main water valve using new hose sets. Old sets should not be reused.
- To save energy, in standby mode, the appliance will switch off automatically when there is no operation in 15 minutes.
- The maximum number of place settings to be washed is 14.
- The maximum permissible inlet water pressure is 1MPa.
- The minimum permissible inlet water pressure is 0,04MPa.

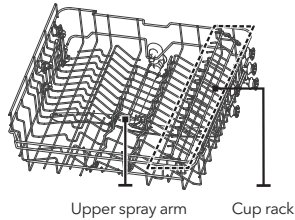
PRODUCT OVERVIEW

! IMPORTANT

To get the best performance from your dishwasher, read all operating instructions before using it for the first time.

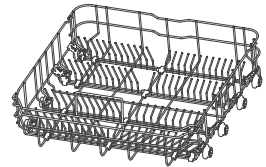


Cutlery rack



Upper spray arm Cup rack

Upper basket



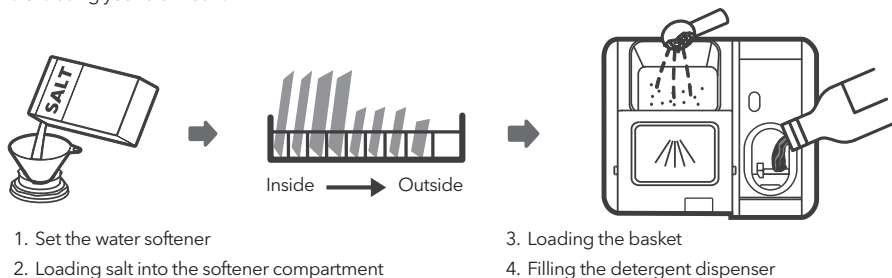
Lower basket

☰ NOTE

Pictures are only for reference; different models may be different. Please prevail in kind.

USING YOUR DISHWASHER

Before using your dishwasher:



1. Set the water softener

2. Loading salt into the softener compartment

3. Loading the basket

4. Filling the detergent dispenser

NOTE

Please check the section 1 "Water Softener" of PART II: Special Version, if you need to set the water softener .

Loading The Salt Into The Softener

NOTE

If your model does not have any water softener compartment, you may skip this section. Always use salt that is intended for dishwasher use. The salt container is located beneath the lower basket and should be filled as explained in the following:

WARNING!

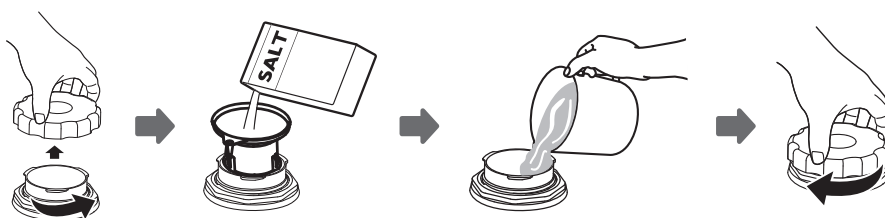
• Only use salt specifically designed for dishwashers use!

Every other type of salt not specifically designed for dishwasher use, especially table salt, will damage the water softener compartment. In case of damages caused by the use of unsuitable salt the manufacturer does not give any warranty nor is liable for any damages caused.

• Only fill with salt before running a cycle.

This will prevent any grains of salt or salty water, which may have been spilled, remaining on the bottom of the machine for any period of time, which may cause corrosion.

Please follow the steps below for adding dishwasher salt:



1. Remove the lower basket and unscrew the reservoir cap.

2. Place the end of the funnel (supplied) into the hole and pour in about 1.5kg of dishwasher salt.


3. Fill the salt container to its maximum limit with water, it is normal for a small amount of water to come out of the salt container.

4. After filling the container, screw back the cap tightly.

5. The salt warning light will stop shining after the salt container has been filled with salt.

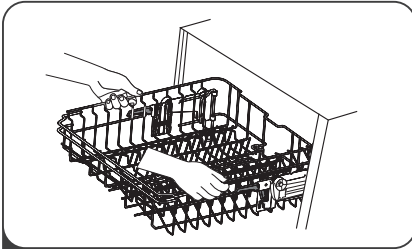
6. Immediately after filling the salt into the salt container, a washing program should be started (We suggest using a short program). Otherwise the filter system, pump or other important parts of the machine may be damaged by salty water. This is void of warranty.

 NOTE

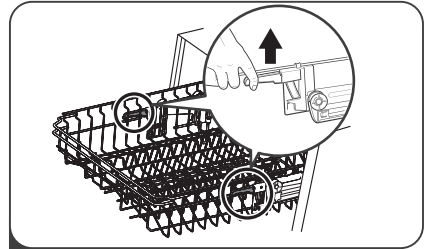
- The salt container must only be refilled when the salt warning light () in the control panel comes on. Depending on how well the salt dissolves, the salt warning light may still be on even though the salt container is filled.
If there is no salt warning light in the control panel (for some models), you can estimate when to fill the salt into the softener by the cycles that the dishwasher has run.
- If salt has spilled, run a soak or quick program to remove it.

Basket Loading Tip

Adjusting the upper basket



- 1** To raise the the upper basket, just lift the upper basket at the center of each side until the basket locks into place in the upper position. It is not necessary to lift the adjuster handle.



- 2** To lower the upper basket, lift the adjust handles on each side to release the basket and lower it to the lower position.

Folding back the cup shelves

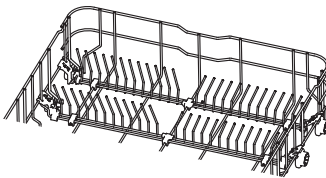
To make room for taller items in the dishwasher basket, raise the cup rack upwards. You can then lean the tall glasses against it. You can also remove it when it is not required for use.



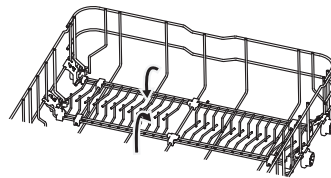
Folding back the rack shelves

The spikes are used for holding plates and a platter. They can be lowered to make more room for large items.

raise upwards



fold backwards



MAINTENANCE AND CLEANING

External Care

The door and door seal

Clean the door seals regularly with a soft damp cloth to remove food deposits. When the dishwasher is being loaded, food and drink residues may drip onto the sides of the dishwasher door. These surfaces are outside the wash cabinet and are not accessed by water from the spray arms. Any deposits should be wiped off before the door is closed.

The control panel

If cleaning is required, the control panel should be wiped with a soft damp cloth **ONLY**.

WARNING!

- To avoid penetration of water into the door lock and electrical components, do not use a spray cleaner of any kind.
- Never use abrasive cleaners or scouring pads on the outer surfaces because they may scratch the finish. Some paper towels may also scratch or leave marks on the surface.

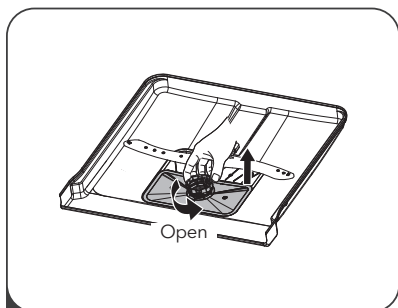
Internal Care

Filtering system

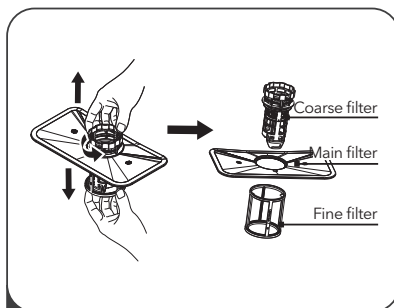
The filtering system in the base of the wash cabinet retains coarse debris from the washing cycle, including foreign objects such as tooth picks or shards. The collected coarse debris may cause the filters to clog. Check the condition of the filters regularly, carefully remove foreign objects and clean the parts of the filtering system if necessary with water. Follow the steps below to clean the filter.

NOTE

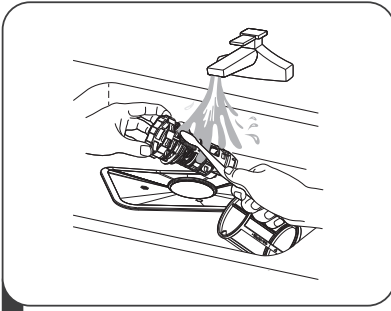
Pictures are only for reference, different models of the filtering system and spray arms may be different. Please prevail in kind.



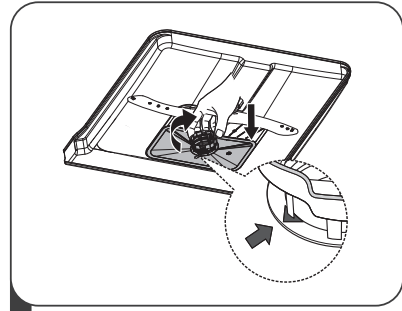
- 1 Hold the coarse filter and rotate it counterclockwise to unlock the filter. Lift the filter upwards and out of the dishwasher.



- 2 The fine filter can be pulled off the bottom of the filter assembly. The coarse filter can be detached from the main filter by gently squeezing the tabs at the top and pulling it away.



3 Larger food remnants can be cleaned by rinsing the filter under running water. For a more thorough clean, use a soft cleaning brush.



4 Reassemble the filters in the reverse order of the disassembly, replace the filter insert, and rotate clockwise to the close arrow.

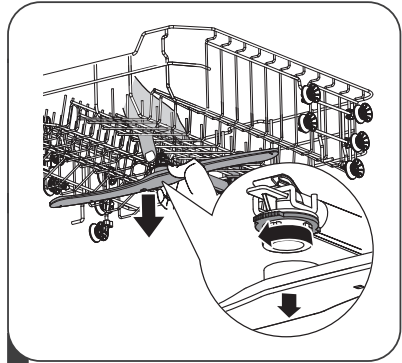
⚠ WARNING!

- Do not over tighten the filters. Put the filters back in sequence securely, otherwise coarse debris could get into the system and cause a blockage.
- NEVER use the dishwasher without filters in place. Improper replacement of the filter may reduce the performance level of the appliance and damage dishes and utensils.

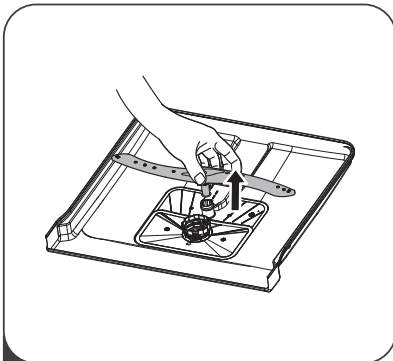
Spray arms

It is necessary to clean the spray arms regularly for hard spray arm jets and bearings.

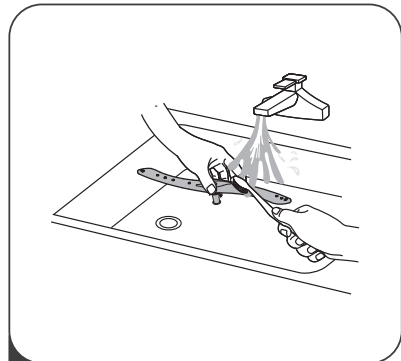
To clean the spray arms, follow the instructions:



1 To remove the upper spray arm, hold the nut in the center still and rotate the spray arm counterclockwise to remove it.



2 To remove the lower spray arm, pull out the spray arm upward.



3 Wash the arms in soapy and warm water and use a soft brush to clean the jets. Replace them after rinsing them thoroughly.

Caring For The Dishwasher

Frost precaution

Please take frost protection measures on the dishwasher in winter. After every washing cycles, please operate as follows:

1. Cut off the electrical power to the dishwasher at the power source.
2. Turn off the water supply and disconnect the water inlet pipe from the water valve.
3. Drain the water from the inlet pipe and water valve. (Use a pan to gather the water)
4. Reconnect the water inlet pipe to the water valve.
5. Remove the filter at the bottom of the tub and use a sponge to soak up water in the sump.

After every wash

After every wash, turn off the water supply to the appliance and leave the door slightly open for a while so that moisture and odours are not trapped inside.

Remove the plug

Before cleaning or performing maintenance, always remove the plug from the socket.

No solvents or abrasive cleaning

To clean the exterior and rubber parts of the dishwasher, do not use solvents or abrasive cleaning products. Only use a cloth with warm soapy water.

To remove spots or stains from the surface of the interior, use a cloth dampened with water and a little vinegar, or a cleaning product made specifically for dishwashers.

When not in use for a long time

It is recommended that you run a wash cycle with the dishwasher empty and then remove the plug from the socket, turn off the water supply and leave the door of the appliance slightly open. This will help the door seals to last longer and prevent odours from forming within the appliance.

Moving the appliance

If the appliance must be moved, try to keep it in the vertical position. If absolutely necessary, it can be positioned on its back.

Seals

One of the factors that cause odours to form in the dishwasher is food that remains trapped in the seals. Periodic cleaning with a damp sponge will prevent this from occurring.

INSTALLATION INSTRUCTION

WARNING!



Electrical Shock Hazard

Disconnect electrical power before installing dishwasher.
Failure to do so could result in death or electrical shock.

ATTENTION!

The installation of the pipes and electrical equipments should be done by professionals.

About Power Connection

WARNING!

- For personal safety:
- Do not use an extension cord or an adapter plug with this appliance.
- Do not, under any circumstances, cut or remove the grounding connection from the power cord.

Electrical requirements

Please look at the rating label to know the rating voltage and connect the dishwasher to the appropriate power supply. Use the required fuse 10A/13A/16A, time delay fuse or circuit breaker recommended and provide separate circuit serving only this appliance.

Electrical connection

Ensure the voltage and frequency of the power being corresponds to those on the rating plate. Only insert the plug into an electrical socket which is grounded properly. If the electrical socket to which the appliance must be connected is not appropriate for the plug, replace the socket, rather than using a adaptors or the like as they could cause overheating and burns.

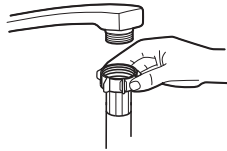
⚠ Ensure that proper grounding exists before use.

Water Supply and Drain

Cold water connection

Connect the cold water supply hose to a threaded 3/4(inch) connector and make sure that it is fastened tightly in place.

If the water pipes are new or have not been used for an extended period of time, let the water run to make sure that the water is clear. This precaution is needed to avoid the risk of the water inlet to be blocked and damage the appliance.



Ordinary supply hose



Safety supply hose

About the safety supply hose

The safety supply hose consists of double walls. The hose's system guarantees its intervention by blocking the flow of water in case of the supply hose breaking and when the air space between the supply hose itself and the outer corrugated hose is full of water.

⚠ WARNING!

A hose that attaches to a tap can burst if it is installed on the same water line as the dishwasher. If your sink has one, it is recommended that the hose be disconnected and the hole plugged.

How to connect the safety supply hose

1. Pull the safety supply hoses completely out from storage compartment located at the rear of dishwasher.
2. Tighten the screws of the safety supply hose to the faucet with thread 3/4inch.
3. Turn the water fully on before starting the dishwasher.

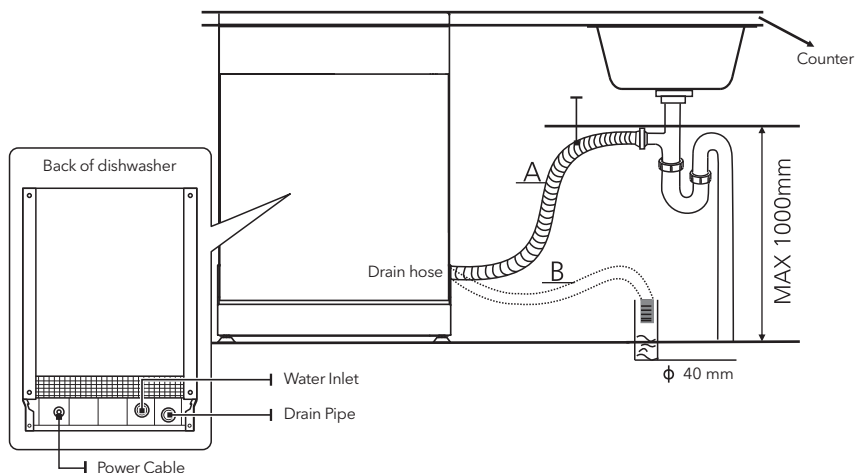
How to disconnect the safety supply hose

1. Turn off the water.
2. Unscrew the safety supply hose from the faucet.

Connection of Drain Hoses

Insert the drain hose into a drain pipe with a minimum diameter of 4 cm, or let it run into the sink, making sure to avoid bending or crimping it. The height of drain pipe must be less than 1000mm. The free end of the hose must not be immersed in water to avoid back flow.

⚠ Please securely fix the drain hose in either position A or position B



How to drain excess water from hoses

If the connection to the drain pipe is positioned higher than 1000 mm, excess water may remain in the drain hose. It will be necessary to drain excess water from the hose into a bowl or suitable container that is held outside and lower than the sink.

Water outlet

Connect the water drain hose. The drain hose must be correctly fitted to avoid water leaks. Ensure that the water drain hose is not kinked or squashed.

Extension hose

If you need a drain hose extension, make sure to use a similar drain hose. It must be no longer than 4 meters; otherwise the cleaning effect of the dishwasher could be reduced.

Syphon connection

The waste connection must be at a height less than 1000 mm (maximum) from the bottom of the dishwasher.

Positioning The Appliance

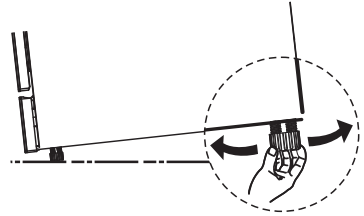
Position the appliance in the desired location. The back should rest against the wall behind it, and the sides, along the adjacent cabinets or walls. The dishwasher is equipped with water supply and drain hoses that can be positioned either to the right or the left sides to facilitate proper installation.

Levelling the appliance

Once the appliance is positioned for levelling, the height of the dishwasher may be altered via adjustment of the screwing level of the feet. In any case, the appliance should not be inclined more than 2°.

NOTE

Only apply to the free standing dishwasher.

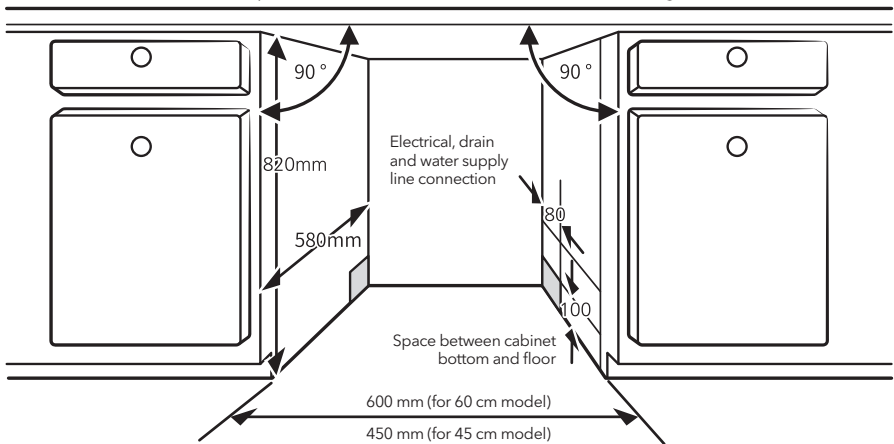


Built-In Installation (for the integrated model)

Step 1. Selecting the best location for the dishwasher

The installation position of dishwasher should be near the existing inlet and drain hoses and power cord. Illustrations of cabinet dimensions and installation position of the dishwasher.

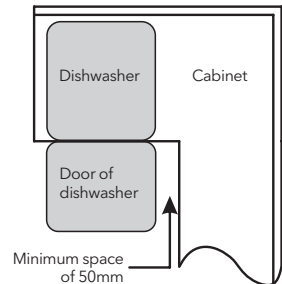
1. Less than 5 mm between the top of dishwasher and cabinet and the outer door aligned to cabinet.



2. If dishwasher is installed at the corner of the cabinet, there should be some space left for when the door is opened.

NOTE

Depending on where your electrical outlet is, you may need to cut a hole in the opposite cabinet side.



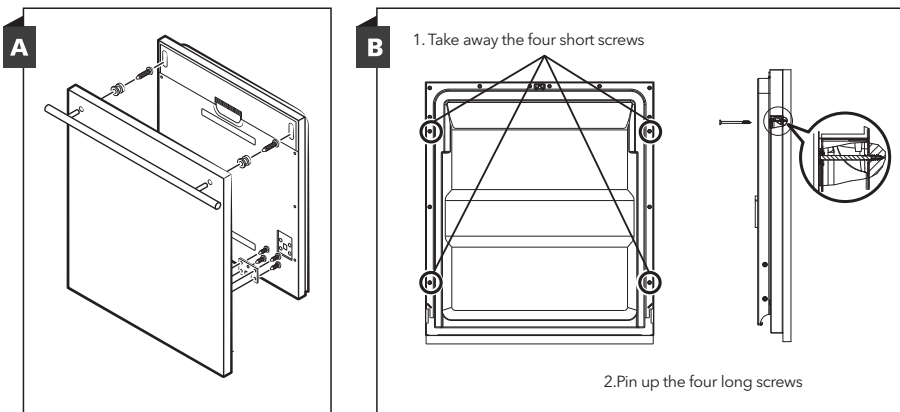
Step 2. Aesthetic panel's dimensions and installation

NOTE

The aesthetic wooden panel could be processed according to the installation drawings.

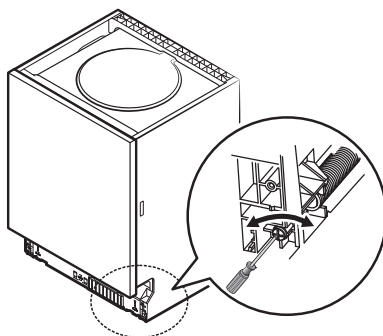
Full-integrated model

Install the hook on the aesthetic wooden panel and put the hook into the slot of the outer door of dishwasher (see figure A). After positioning of the panel, fix the panel onto the outer door by screws and bolts (See figure B).



Step 3. Tension adjustment of the door spring

1. The door springs are set at the factory to the proper tension for the outer door. If aesthetic wooden panel are installed, you will have to adjust the door spring tension. Rotate the adjusting screw to drive the adjustor to strain or relax the steel cable.
2. Door spring tension is correct when the door remains horizontal in the fully opened position, yet rises to a close with the slight lift of a finger.

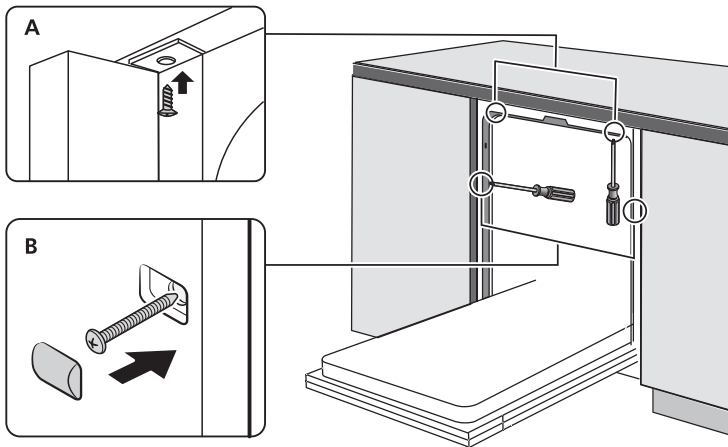


Step 4. Dishwasher installation steps

NOTE

Please refer to the specified installation steps in the installation drawings.

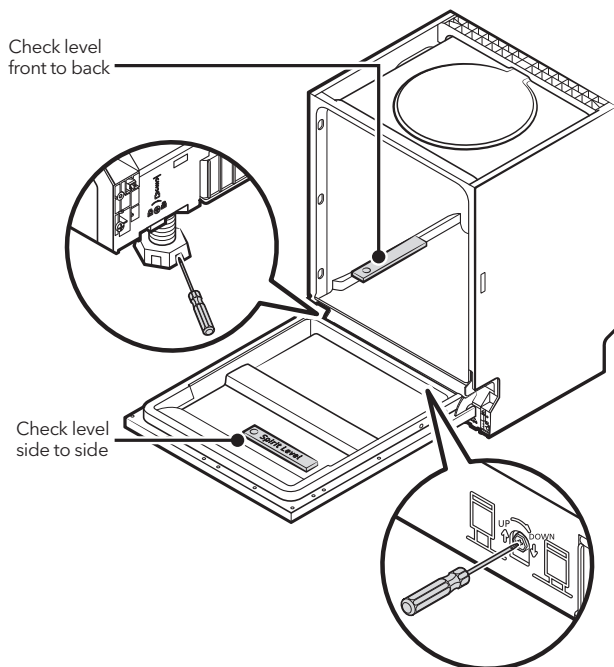
1. Affix the condensation strip under the work surface of cabinet. Please ensure the condensation strip is flush with edge of work surface. (Step 2)
2. Connect the inlet hose to the cold water supply.
3. Connect the drain hose.
4. Connect the power cord.
5. Place the dishwasher into position. (Step 4)
6. Level the dishwasher. The rear feet can be adjusted from the front of the dishwasher by turning the Philips screw in the middle of the base of dishwasher use an Philips screw. To adjust the front feet, use a flat screw driver and turn the front feet until the dishwasher is level. (Step 5)
7. Install the furniture door to the outer door of the dishwasher.
8. Adjust the tension of the door springs by using an Allen key turning in a clockwise motion to tighten the left and right door springs. Failure to do this could cause damage to your dishwasher.
9. The dishwasher must be secured in place. There are two ways to do this:
 - A. Normal work surface: Put the installation hook into the slot of the side plane and secure it to the work surface with the wood screws.
 - B. Marble or granite work top: Fix the side with Screw.



Step 5. Levelling the dishwasher

Dishwasher must be level for proper dish rack operation and wash performance.

1. Place a spirit level on door and rack track inside the tub as shown to check that the dishwasher is level.
2. Level the dishwasher by adjusting the three levelling feet individually.
3. When level the dishwasher, please pay attention not to let the dishwasher tip over.



NOTE

The maximum adjustment height of the feet is 50 mm.

TROUBLESHOOTING TIPS

Before Calling for Service

Reviewing the charts on the following pages may save you from calling for service.

Problem	Possible Causes	What to Do
Dishwasher doesn't start	Fuse blown, or the circuit break tripped.	Replace fuse or reset circuit breaker. Remove any other appliances sharing the same circuit with the dishwasher.
	Power supply is not turned on.	Make sure the dishwasher is turned on and the door is closed securely. Make sure the power cord is properly plugged into the wall socket.
	Water pressure is low	Check that the water supply is connected properly and the water is turned on.
	Door of dishwasher not properly closed.	Make sure to close the door properly and latch it.
Water not pumped form dishwasher	Twisted or trapped drain hose.	Check the drain hose.
	Filter clogged.	Check the filter system.
	Kitchen sink clogged.	Check the kitchen sink to make sure it is draining well. If the problem is the kitchen sink that is not draining, you may need a plumber rather than a serviceman for dishwashers.
Foam in the tub	Wrong detergent.	Use only the special dishwasher detergent to avoid suds. If this occurs, open the dishwasher and let suds evaporate. Add 4 liters of cold water to the bottom of the dishwasher. Close the dishwasher door, then select any cycle. Initially, the dishwasher will drain out the water. Open the door after draining stage is complete and check if the suds have disappeared. Repeat if necessary.
	Spilled rinse aid.	Always wipe up rinse aid spills immediately.
Stained tub interior	Detergent with colorant may have been used.	Make sure that the detergent has no colorant.
White film on inside surface	Hard water minerals.	To clean the interior, use the damp soft cloth with dishwasher detergent and wear rubber gloves. Never use any other cleaner than dishwasher detergent otherwise, it may cause foaming or suds.
There are rust stains on cutlery	The affected items are not corrosion resistant.	Avoid washing items that are not corrosion resistant in the dishwasher.
	A program was not run after dishwasher salt was added. Traces of salt have gotten into the wash cycle.	Always run a wash program without any crockery after adding salt. Do not select the Turbo function (if present).
	The lid of the softer is loose.	Check the softener lid is secure.
Knocking noise in the dishwasher	A spray arm is knocking against an item in a basket	Interrupt the program and rearrange the items which are obstructing the spray arm.
Rattling noise in the dishwasher	Items of crockery are loose in the dishwasher.	Interrupt the program and rearrange the items of crockery.

Problem	Possible Causes	What to Do
Knocking noise in the water pipes	This may be caused by on-site installation or the cross-section of the piping.	This has no influence on the dishwasher function. If in doubt, contact a qualified plumber.
The dishes are not clean	The dishes were not loaded correctly.	See notes in "Loading & unloading your dishwasher".
	The program was not powerful enough.	Select a more intensive program.
	Not enough detergent was dispensed	Use more detergent, or change your detergent.
	Items are blocking the movement of the spray arms.	Rearrange the items so that the spray can rotate freely.
	The filter combination is not clean or is not correctly fitted in the base of wash cabinet. This may cause the spray arm jets to get blocked.	Clean and fit the filter correctly. Clean the spray arm jets.
Cloudiness on glassware.	Combination of soft water and too much detergent.	Use less detergent if you have soft water and select a shorter cycle to wash the glassware and to get them clean.
White spots appear on dishes and glasses.	Hard water area can cause lime scale deposits.	Check water softener settings or fill status of salt container.
Black or grey marks on dishes	Aluminum utensils have rubbed against dishes	Use a mild abrasive cleaner to eliminate those marks.
Detergent left in dispenser	Dishes block detergent dispenser	Re-loading the dishes properly.
The dishes are not drying	Improper loading	Use gloves if detergent residue can be found on dishes to avoid skin irritations.
	Dishes are removed too soon	Do not empty your dishwasher immediately after washing. Open the door slightly so that the steam can come out. Take out the dishes until the inside temperature is safe to touch. Unload the lower basket first to prevent the dropping water from the upper basket.
The dishes are not drying	The wrong program has been selected.	With a short program, the washing temperature is lower, decreasing cleaning performance. Choose a program with a long washing time.
	Use of cutlery with a low-quality coating.	Water drainage is more difficult with these items. Cutlery or dishes of this type are not suitable for washing in the dishwasher.

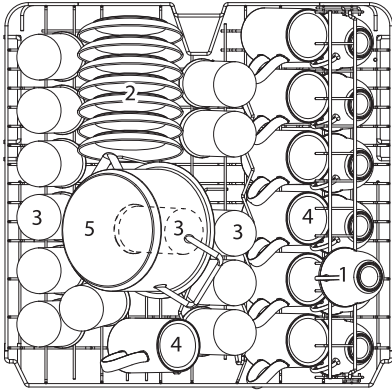
**WARNING!**

Self-repair or non-professional repair may cause serious risks to the safety of the user of the appliance and impact warranty.

LOADING THE BASKETS ACCORDING TO EN60436

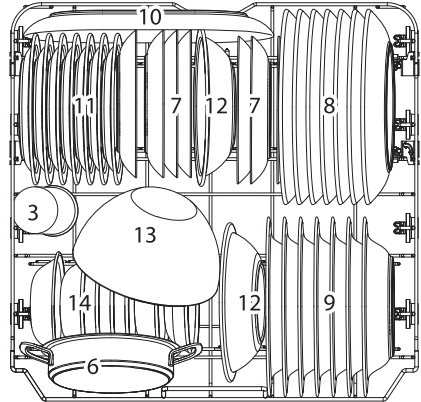
Loading the dishwasher to its full capacity will contribute to energy and water savings.

1. Upper basket:



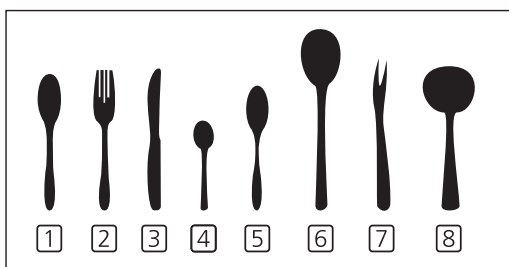
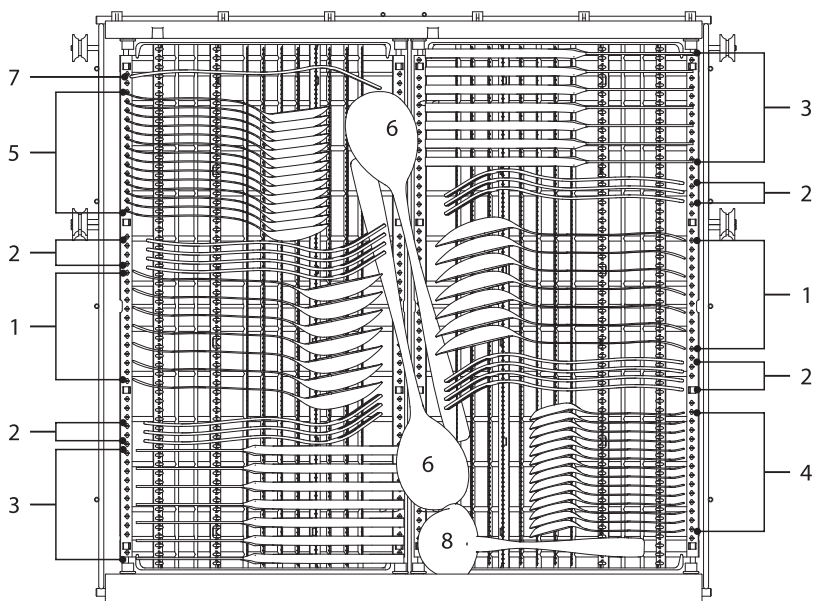
Number	Item
1	Cups
2	Saucers
3	Glasses
4	Mugs
5	Small pot

2. Lower basket:



Number	Item
6	Oven pot
7	Dessert plates
8	Dinner plates
9	Soup plates
10	Oval platter
11	Melamine dessert plates
12	Melamine bowls
13	Glass bowl
14	Dessert bowls

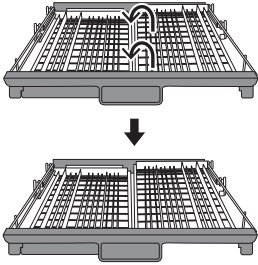
3. Cutlery rack:



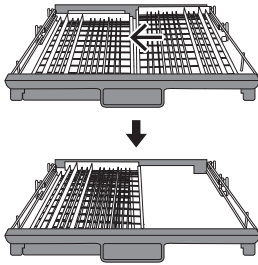
Number	Item
1	Soup spoons
2	Forks
3	Knives
4	Tea spoons
5	Dessert spoons
6	Serving spoons
7	Serving forks
8	Gravy ladles

Information for comparability
 tests in accordance with EN60436
 Capacity: 14 place settings
 Position of the upper basket: lower
 position Program: ECO
 Rinse aid setting: MAX
 Softener setting: H3

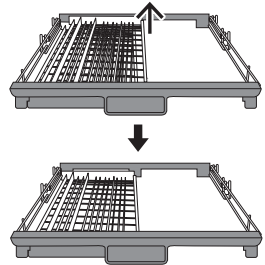
Cutlery Rack Used Tips



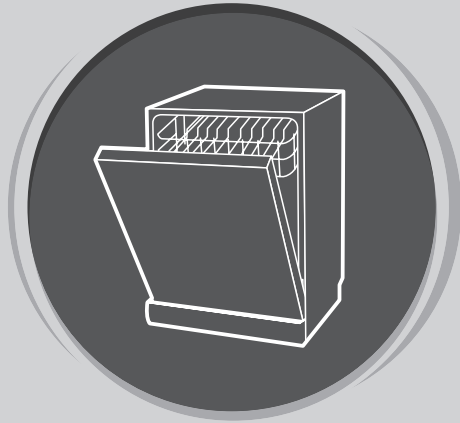
Lift the right basket, both left and right baskets are flat.



Move the right basket from right to left, two baskets are overlapping.



Remove the right basket from the tray, only has the left basket.



DISHWASHER

User Manual

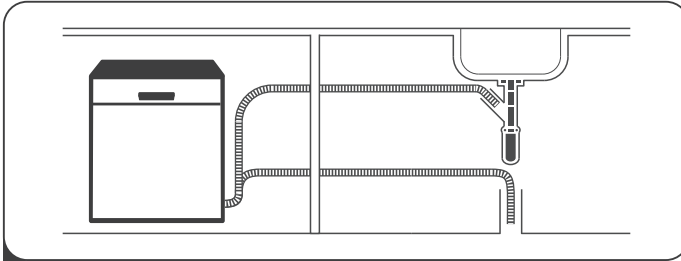
PART II: SPECIAL VERSION

WDI690M

Please read this manual carefully before using the dishwasher and
Keep this manual for future reference.

QUICK USER GUIDE

Please read the corresponding content on the instruction manual for detailed operating method.

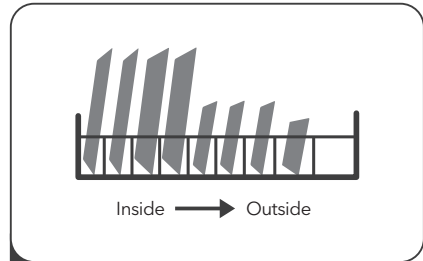


1 Install the dishwasher

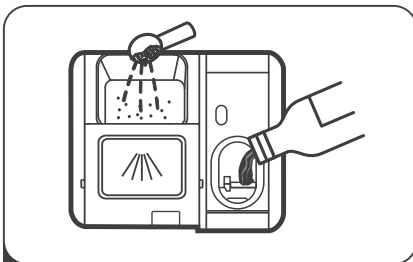
(Please check the section 5 "INSTALLATION INSTRUCTION" of PART I: Generic Version.)



2 Removing larger residue on the cutlery



3 Loading the baskets



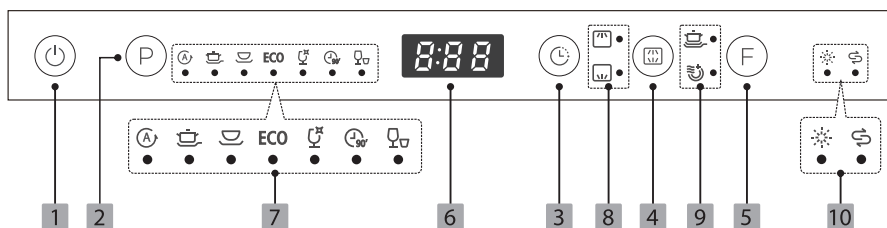
4 Filling the dispenser



5 Selecting a program and running the dishwasher

USING YOUR DISHWASHER

Control Panel










Operation (Button)

- 1** Power Press this button to turn on your dishwasher, the screen lights up.
- 2** Program Select the appropriate washing program, the selected program indicator will be lit.
- 3** Delay Press this button to set the delayed hours for washing. You can delay the start of washing up to 24 hours. One press on this button delays the start of washing by one hour.
- 4** Alt Press the button to select either upper basket or lower basket loaded, and the corresponding indicator will light up.
- 5** Function Press the button to select a function, corresponding indicator will be lit.

Display

- 6** Screen To show the remaining program time and delay time, error code etc.

- 7** Program indicator

 - Auto**
 Auto sensing wash, lightly, normally or heavily soiled crockery, with or without dried-on food.
 - Intensive**
 Heavily soiled items include pots and pans. With dried on food.
 - Universal**
 For normally soiled loads, such as pots, plates, glasses and lightly soiled pans.
 - ECO**
 This is a standard program, it is suitable to clean normally soiled tableware and it is the most efficient program in terms of its combined energy and water consumption for that type of tableware.
 - Glass**
 For lightly soiled crockery and glass.
 - 90 Min**
 For normally soiled loads that need quick wash.
 - Rapid**
 A shorter wash for lightly soiled loads that do not need drying.

8 Alt indicator



Upper

When you select Upper, only the dishes in the upper rack will be washed. The spray system of the lower basket will not operate.



Lower

When you select Lower, only the dishes in the lower rack will be washed. The spray system of the upper basket will not operate.

9 Function indicator



Extra Cleaning

To wash very dirty, hard to clean dishes. (It can only be used with Intensive, Universal, ECO, Glass, 90 min)



Extra Drying

For better drying results. (It can only be used with Intensive, Universal, ECO, Glass, 90 min)

10 Warning indicator



Rinse Aid

If the ☼ indicator is lit, it means the dishwasher is low on dishwasher rinse aid and requires a refill.



Salt

If the Ⓢ indicator is lit, it means the dishwasher is low on dishwasher salt and needs to be refilled.

Water Softener

The water softener must be set manually, using the water hardness dial.

The water softener is designed to remove minerals and salts from the water, which would have a detrimental or adverse effect on the operation of the appliance.

The more minerals there are, the harder your water is.

The softener should be adjusted according to the hardness of the water in your area. Your local Water Authority can advise you on the hardness of the water in your area.

Adjusting salt consumption

The dishwasher is designed to allow for adjustment in the amount of salt consumed based on the hardness of the water used. This is intended to optimize and customize the level of salt consumption.

Please follow the steps below for adjustment in salt consumption.

1. Switch on the appliance;
2. Press the Program button for more than 5 seconds to start the water softener set model within 60seconds after the appliance was switched on;
3. Press the Program button to select the proper set according to your local environment, the sets will change in the following sequence: H1->H2->H3->H4->H5->H6;
4. Press the Power button to end the set up model.

WATER HARDNESS				Water softener level	Regeneration occurs every X program sequence ¹⁾	Salt consumption (gram/cycle)
German dH *	French fH **	British Clarke ***	Mmol/l			
0 - 5	0 - 9	0 - 6	0 - 0.94	H1	No regeneration	0
6 - 11	10 - 20	7 - 14	1.0 - 2.0	H2	10	9
12 - 17	21 - 30	15 - 21	2.1 - 3.0	H3	5	12
18 - 22	31 - 40	22 - 28	3.1 - 4.0	H4	3	20
23 - 34	41 - 60	29 - 42	4.1 - 6.0	H5	2	30
35 - 55	61 - 98	43 - 69	6.1 - 9.8	H6	1	60

1°dH=1.25 °fH=0.178mmol/l °Clarke=1.78

The factory setting: H3. Contact your local water board for information on the hardness of your water supply.

¹⁾ Every cycle with a regeneration operation consumes additional 2.0 litres of water, the energy consumption increases by 0.02 kWh and the program extends by 4 minutes.



Please check the section 3 "Loading The Salt into The Softener compartment" of PART I: Generic Version, if your dishwasher lacks salt.



If your model does not have any water softener compartment, you may skip this section.

Water Softener

The hardness of the water varies from place to place. If hard water is used in the dishwasher, deposits will form on the dishes and utensils.

The appliance is equipped with a special softener that uses a salt container specifically designed to eliminate lime and minerals from the water.

Preparing and Loading Dishes

- Consider buying utensils which are identified as dishwasher-proof.
- For particular items, select a program with the lowest possible temperature.
- To prevent damage, do not take glass and cutlery out of the dishwasher immediately after the program has ended.

For washing the following cutlery/dishes

Are not suitable

- Cutlery with wooden, horn china or mother-of-pearl handles
- Plastic items that are not heat resistant
- Older cutlery with glued parts that are not temperature resistant
- Bonded cutlery items or dishes
- Pewter or cooper items
- Crystal glass
- Steel items subject to rusting
- Wooden platters
- Items made from synthetic fibers

Are of limited suitability

- Some types of glasses can become dull after a large number of washes
- Silver and aluminum parts have a tendency to discolor during washing
- Glazed patterns may fade if machine washed frequently

Recommendations for loading the dishwasher

Scrape off any large amounts of leftover food. Soften remnants of burnt food in pans. It is not necessary to rinse the dishes under running water.

For best performance of the dishwasher, follow these loading guidelines. **(Features and appearance of baskets and cutlery baskets may vary from your model.)**

Place objects in the dishwasher in following way:

- Items such as cups, glasses, pots/pans, etc. are faced downwards.
- Curved items, or ones with recesses, should be loaded aslant so that water can run off.
- All utensils should be stacked securely so to not tip over.
- All utensils are placed in the way that the spray arms can rotate freely during washing.
- Load hollow items such as cups, glasses, pans etc. With the opening facing downwards so that water cannot collect in the container or a deep base.
- Dishes and items of cutlery must not lie inside one another, or cover each other. To avoid damage, glasses should not touch one another.
- The upper basket is designed to hold more delicate and lighter dishware such as glasses, coffee and tea cups.
- Long bladed knives stored in an upright position are a potential hazard!
- Long and / or sharp items of cutlery such as carving knives must be positioned horizontally in the upper basket.

- Please do not overload your dishwasher. This is important for good results and for reasonable consumption of energy.

NOTE

Very small items should not be washed in the dishwasher as they could easily fall out of the basket.

Removing the dishes

To prevent water dripping from the upper basket into the lower basket, we recommend that you empty the lower basket first, followed by the upper basket.

WARNING!



Items will be hot! To prevent damage, do not take glass and cutlery out of the dishwasher for around 15 minutes after the program has ended.

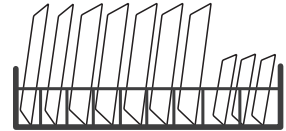
Loading the upper basket

The upper basket is designed to hold more delicate and lighter dishware such as glasses, coffee and tea cups and saucers, as well as plates, small bowls and shallow pans (as long as they are not too dirty). Position the dishes and cookware so that they will not get moved by the spray of water.



Loading the lower basket

We suggest that you place large items, and the most difficult to clean, into the lower basket: such as pots, pans, lids, serving dishes and bowls, as shown in the figure below. It is preferable to place serving dishes and lids on the side of the racks in order to avoid blocking the rotation of the top spray arm. The maximum diameter advised for plates in front of the detergent dispenser is 19 cm, this is so not to hamper the opening of it..



Loading the cutlery basket

Cutlery should be placed in the cutlery rack separately from each other in the appropriate positions, and do make sure the utensils do not nest together, this may cause bad performance.

WARNING!



Do not let any item extend through the bottom. Always load sharp utensils with the sharp point down!

NOTE

For the best washing effect,, load the baskets in reference to standard loading options on last section of PART I: Generic Version

Function of The Rinse Aid and Detergent

The rinse aid is released during the final rinse to prevent water from forming droplets on your dishes, which can leave spots and streaks. It also improves drying by allowing water to roll off the dishes. Your dishwasher is designed to use liquid rinse aids.

⚠ WARNING!

Only use a branded rinse aid for dishwasher. Never fill the rinse aid dispenser with any other substances (e.g. Dishwasher cleaning agent, liquid detergent). This would damage the appliance.

When to refill the rinse aid

The regularity of the dispenser needing to be refilled depends on how often dishes are washed and the rinse aid setting used.

- The Low Rinse Aid indicator (☼) will be lit when more rinse aid is needed.
- Do not overfill the rinse aid dispenser.

Function of detergent

The chemical ingredients that compose the detergent are necessary to remove, crush and dispense all dirt out of the dishwasher. Most of the commercial quality detergents are suitable for this purpose.

⚠ WARNING!

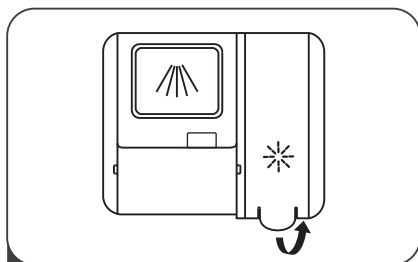
Proper Use of Detergent

Use only detergent specifically made for dishwashers use. Keep your detergent fresh and dry. Don't put powdered detergent into the dispenser until you are ready to wash dishes.

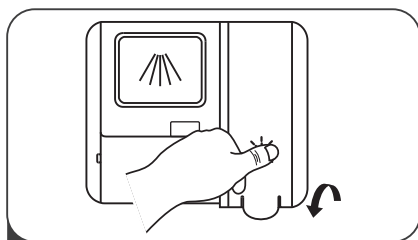


Dishwasher detergent is corrosive! Keep dishwasher detergent out of the reach of children.

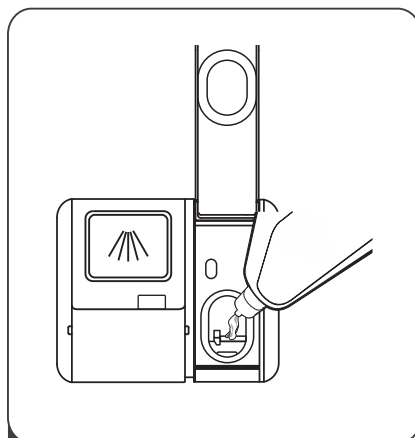
Filling The Rinse Aid Reservoir



1 Remove the rinse reservoir cap by lifting up the handle.



3 Close the cap after all.



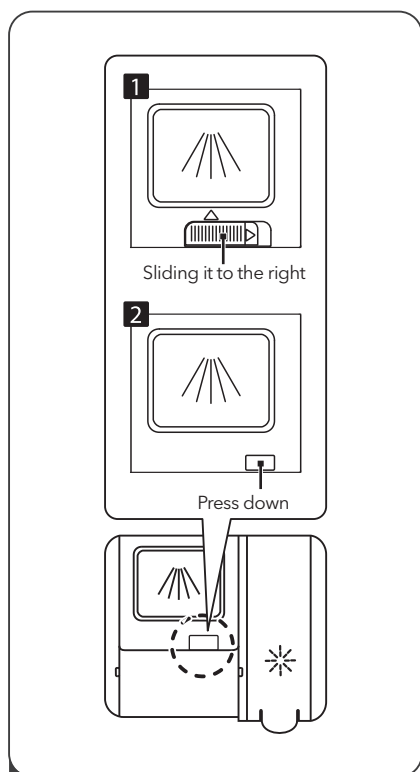
2 Pour the rinse aid into the dispenser, being careful not to overfill.

Adjusting the rinse aid reservoir

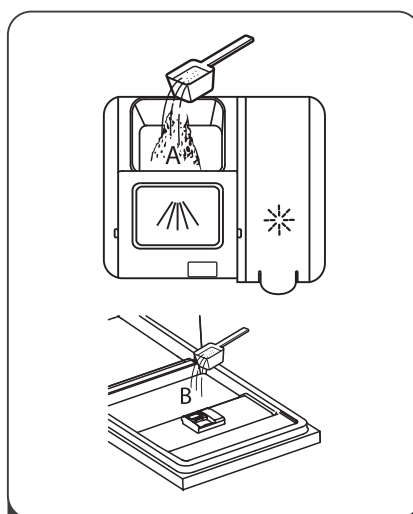
To achieve a better drying performance with limited rinse aid, the dishwasher is designed to adjust the consumption by user. Follow the below steps.

1. Close the door and switch on the appliance.
2. Within 60 seconds after step 1, press the Program button more than 5 seconds, and then press the Delay button to enter the set model, the rinse aid indication blinks as 1Hz frequency.
3. Press the Program button to select the proper set according to your using habits, the sets will change in the following sequence: D1->D2->D3->D4->D5->D1.
The higher the number, the more rinse aid the dishwasher uses.
4. Press the Power button to end the set up model.

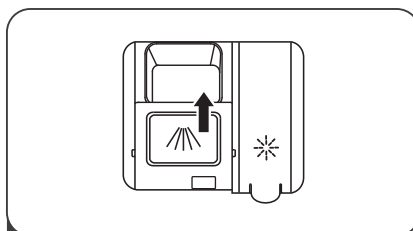
Filling The Detergent Dispenser



- 1 Please choose an open way according to the actual situation.
1. Open the cap by sliding the release catch.
 2. Open the cap by pressing down the release catch.



- 2 Add detergent into the larger cavity (A) for the main wash cycle. For better cleaning result, especially if you have very dirt items, pour a small amount of detergent onto the door. The additional detergent will activate during the pre-wash phase.



- 3 Close the flap by sliding it to the front and then pressing it down.







NOTE

- Be aware that depending on the soiling of water, setting may be different.
- Please observe the manufacturer's recommendations on the detergent packaging.

Wash Cycle Table

The table below shows which programs are best for the levels of food residue on them and how much detergent is needed. It also shows various information about the programs. Consumption values and program duration are only indicative except for ECO program.

● Indicates that the program uses rinse aid in the last rinse.

Program	Description Of Cycle	Detergent Pre/Main	Running Time(min)	Energy (Kwh)	Water (L)	Rinse Aid
 Auto	Pre-wash(45°C) Autowash(55-65°C) Rinse Auto rinse(60-65°C) Drying	$\frac{4}{18g}$ (1 or 2 tabs)	85-150	0.921- 1.302	10.0-15.0	●
 Intensive	Pre-wash(50 °C) Wash(65 °C) Rinse Rinse(65 °C) Drying	$\frac{4}{18g}$ (2 tabs)	205	1.579	18.0	●
 Universal	Pre-wash(45 °C) Wash(55 °C) Rinse Rinse(65 °C) Drying	$\frac{4}{18g}$ (2 tabs)	175	1.268	13.8	●
ECO (*EN60436)	Wash(45 °C) Rinse Rinse(60 °C) Drying	$\frac{22g}{(2\ tabs)}$	230	0.951	10.0	●
 Glass	Pre-wash Wash(50 °C) Rinse Rinse(65 °C) Drying	$\frac{4}{18g}$ (2 tabs)	120	1.094	14.1	●
 90 Min	Wash(60 °C) Rinse Rinse(65 °C) Drying	$\frac{22g}{(2\ tabs)}$	90	1.079	11.7	●
 Rapid	Wash (50 °C) Rinse Rinse (45 °C)	$\frac{20g}{(1\ tab)}$	30	0.731	11.2	○



NOTE

ECO (*EN 60436)

The ECO program is suitable to clean normally soiled tableware, that for this use, it is the most efficient program in terms of its combined energy and water consumption, and it is used to assess compliance with the EU ecodesign legislation.

Saving Energy

1. Pre-rinsing of tableware items leads to increased water and energy consumption and is not recommended.
2. Washing tableware in a household dishwasher usually consumes less energy and water in the use phase than hand dishwashing when the household dishwasher is used according to the instructions.

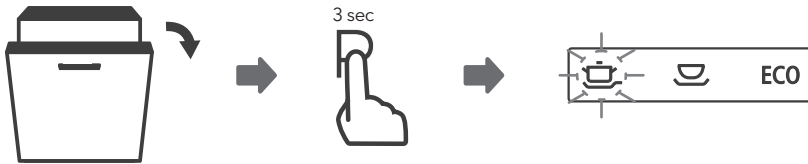
Starting a program

1. Draw out the lower and upper basket, load the dishes and push them back. It is commended to load the lower basket first, then the upper one.
2. Pour in the detergent.
3. Insert the plug into the socket. The power supply refer to last page“Product fiche”. Make sure that the water supply is turned on to full pressure.
4. Close the door, press the Power button, to switch on the machine.
5. Choose a program, the response light will turn on. Then press the Start/Pause button, the dishwasher will start its cycle.

Changing The Program Mid-cycle

A wash cycle can only be changed if it has been running for a short time otherwise, the detergent may have already been released and the dishwasher may have already drained the wash water. If this is the case, the dishwasher needs to be reset and the detergent dispenser must be refilled. To reset the dishwasher, follow the instructions below:

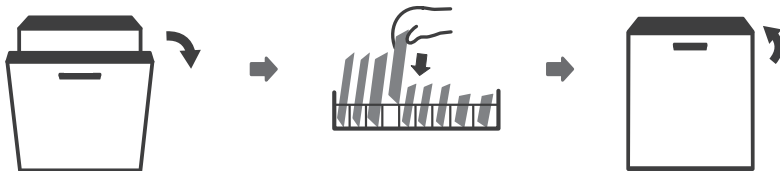
1. Open the door a little to stop the dishwasher, after the spray arm stopped working, you can open the door completely.
2. Press Program button more than three seconds the machine will be in program selection mode
3. You can change the program to the desired cycle setting.



Forget To Add A Dish?

A forgotten dish can be added any time before the detergent dispenser opens. If this is the case, follow the instructions below:

1. Open the door a little to stop the washing.
2. After the spray arms stopped working, you can open the door completely.
3. Add the forgotten dishes.
4. Close the door, the dishwasher will continue to run after 10 seconds.



WARNING!



It is dangerous to open the door mid-cycle, as hot steam may scald you.

ERROR CODES

If there is a malfunction, the dishwasher will display error codes to identify these:

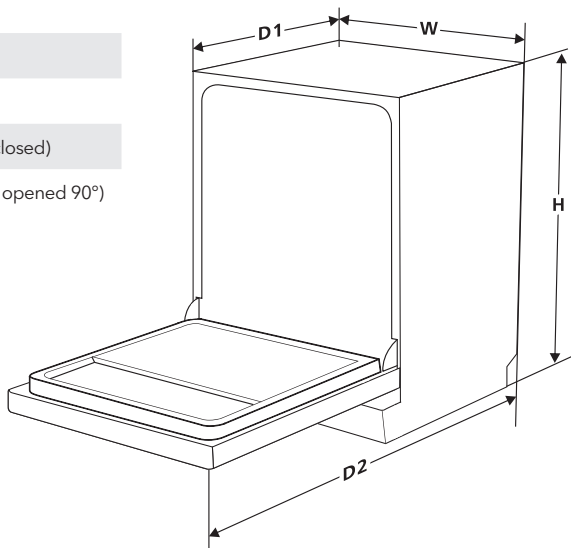
Codes	Meanings	Possible
E1	Longer inlet time.	Faucet is not opened, or water intake is restricted, or water pressure is too low.
E3	Not reaching required temperature.	Malfunction of heating element.
E4	Overflow.	Some element of dishwasher leaks.
Ed	Failure of communication between main PCB with display PCB.	Open circuit or break wiring for the communication.

WARNING!

- If overflow occurs, turn off the main water supply before calling a service.
- If there is water in the base pan because of an overflow or small leak, the water should be removed before restarting the dishwasher.
- If there is an error code that cannot be solved, please request professional assistance.

TECHNICAL INFORMATION

Height (H)	815 mm
Width (W)	598 mm
Depth (D1)	550 mm (with the door closed)
Depth (D2)	1175 mm (with the door opened 90°)



Product information sheet

COMMISSION DELEGATED REGULATION (EU) 2019/2017
with regard to energy labelling of household dishwashers

Supplier's name or trade mark: Tesla

Supplier's address (°): Tesla Electronics, Litjaska 47, 1000 Ljubljana, SI

Model identifier: WDI690M

General product parameters:

Parameter	Value	Parameter	Value	
Rated capacity (°)(ps)	14	Dimensions in cm	Height	815
			Width	598
			Depth	550
EEI (°)	55,9	Energy efficiency class (°)	E	
Cleaning performance index (°)	1,125	Drying performance index (°)	1,065	
Energy consumption in kWh [per cycle], based on the eco programme using cold water fill. Actual energy consumption will depend on how the appliance is used.	0,951	Water consumption in litres [per cycle], based on the eco program. Actual water consumption will depend on how the appliance is used and on the hardness of the water.	10,0	
Program duration (°) (h:min)	3:50	Type	Built-in	
Airborne acoustical noise emissions (°) (dB(A) re 1 pW)	44	Airborne acoustical noise emission class (°)	B	
Off-mode (W) (if applicable)	0,49	Standby mode (W) (if applicable)	-	
Delay start (W) (if applicable)	0,27	Networked standby (W) (if applicable)	-	

Minimum duration of the guarantee offered by the supplier: 24 months

Additional information:

Weblink to the supplier's website, where the information in point 6 of Annex II to Commission Regulation (EU) 2019/2022 is found: tesla.info

(°) for the eco programme.

Link to the EU EPREL database

The QR code on the energy label supplied with the appliance provides a web link to the registration of this appliance in the EU EPREL database.

Keep the energy label for reference together with the user manual and all other documents provided with this appliance.

It is possible to find information related to the performance of the product in the EU EPREL database using the link <https://eprel.ec.europa.eu> and the model name and product number that you can find on the rating plate of the appliance. For more detailed information about the energy label, visit www.theenergylabel.eu.

Disposal



- For disposing of packaging and the appliance please go to a recycling center. Cut off the power supply cable and make the door closing device unusable.
- Cardboard packaging is manufactured from recycled paper and should be disposed of in a paper waste collection bin for recycling.
- By ensuring this product is disposed of correctly, you will help prevent potential negative consequences for the environment and human health, which could otherwise be caused by inappropriate waste handling of this product.
- For more detailed information about recycling of this product, please contact your local city office and your household waste disposal service.
- **DISPOSAL: Do not dispose this product as unsorted municipal waste. Collection of such waste separately for special treatment is necessary.**

EU DECLARATION OF CONFORMITY

We, Comtrade Distribution d.o.o. Beograd, Bulevar Zorana Đinđića 125i, 11 000 Belgrade, Serbia, hereby declare that the following Dishwasher products listed below to which this declaration relates

Name of manufacturer **Tesla/Comtrade Distribution d.o.o. Beograd**

Contact information of the manufacturer **Bulevar Zorana Đinđića 125i
11000 Belgrade, Serbia**

Description of the appliance:

Tesla Code
WD690MX
WD690MW
WD490MX
WD490MW
WDI690M
WDI490M

are in conformity with the following standards:

LVD/EMF/PAHS	EN 60335-2-5:2015 EN 60335-1:2012/A2:2019 EN 62233:2008 AfPS GS 2019:01 PAK
--------------	--------------------------------------------------------------------------------------

EMC	EN 55014-1:20017 EN 55014-2:2015 EN 61000-3-2:2014 EN 61000-3-3:2013
ERP	EN 60436:2020 EN 50242:2016 EN 50564 :2011
RoHS	IEC 62321-1 IEC 62321-2

following the provisions of directive(s):

Low Voltage Directive 2014/35/EU
Electromagnetic Compatibility Directive 2014/30/EU
ERP directive 2009/125/EC,
ERP implementation regulation
EU NO 2019/2022 (replace the old regulation EU NO 1016/2010)
Energy label regulation
EU NO 2019/2017 (replace the old regulation EU NO 1059/2010)
RoHS directive 2011/65/EU

PAHs AfPS GS 2019:01 PAK
CE Directive 93/68/EEC

This declaration of conformity is issued under the sole responsibility of the manufacturer.

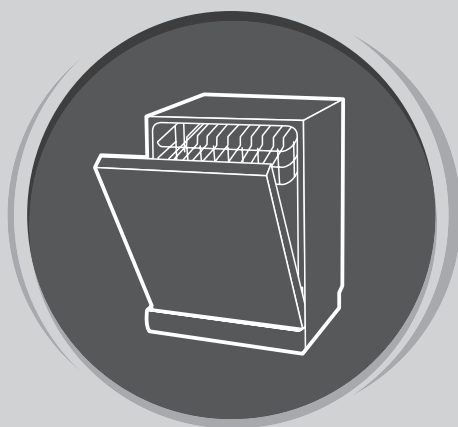
Date: 2022.03.16 Belgrade, Serbia

SIGNATURE & CHOP

NAME: Nebojša Uskoković

POSITION: General Manager





MAŠINA ZA PRANJE POSUĐA

Uputstvo
za upotrebu

DEO I: UOPĆENO UPUTSTVO

Prije upotrebe mašine za pranje posuđa, pažljivo pročitajte ovo uputstvo i sačuvajte ga za buduću upotrebu.

BEZBIJEDNOSNA UPUTSTVA

UPOZORENJE!

- Postavljanje i popravku uređaja može da obavlja isključivo kvalifikovani tehničar.
- Prilikom upotrebe mašine za pranje posuda, pridržavajte se sljedećih mjera prijedostrožnosti:
- Ovaj uređaj je prijedviden za upotrebu u domaćinstvu i u sličnim okruženjima, poput:
 - – kuhinjskih prostorija za osoblje u prodavnicama, kancelarijama i u drugim poslovnim okruženjima;
 - – kuća na farmi;
 - – hotela, motela i drugih okruženja rezidencijalnog tipa, gdje je prijedvideno da ih koriste klijenti;
 - – apartmana u kojima se pružaju usluge tipa noćenja sa doručkom.
- Ovaj uređaj mogu da upotrebljavaju djeca starija od 8 godina, kao i osobe sa umanjenim fizičkim, čulnim ili mentalnim sposobnostima ili osobe bez iskustva i znanja, ukoliko su pod nadzorom ili ukoliko su dobili uputstva o bezbijednoj upotrebi uređaja i shvataju opasnosti koje upotreba istog nosi.
- Djeca ne treba da se igraju uređajem. Djeca ne treba da obavljaju čišćenje i održavanje uređaja bez nadzora. (Prijava EN60335-1)
- Nije prijedvideno da ovaj uređaj upotrebljavaju osobe (uključujući djecu) sa umanjenim fizičkim, čulnim ili mentalnim sposobnostima ili osobe bez iskustva i znanja, osim ukoliko su pod nadzorom ili ukoliko su dobile uputstva o upotrebi uređaja od osobe odgovorne za njihovu bezbijednost. (Prijava IEC60335-1)
- Ambalaža može biti opasna za djecu!
- Ovaj proizvod je prijedviden isključivo za upotrebu u domaćinstvu i u zatvorenom prostoru.
- Kako biste smanjili rizik od strujnog udara, ne potapajte proizvod, kabl ili utikač u vodu ili neku drugu tečnost.
- Prije čišćenja i održavanja uređaja, izvucite utikač iz utičnice.
- Za čišćenje koristite meku krpu navlaženu blagom sapunicom, a zatim ponovo obrišite suhom krpom.

Uputstva u vezi sa uzemljenjem

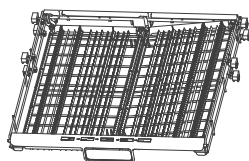
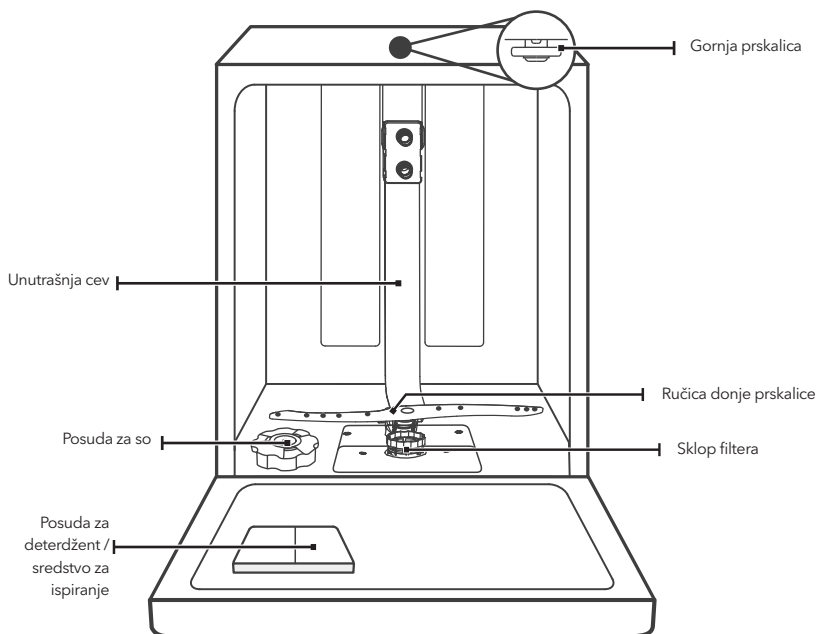
- Ovaj uređaj mora imati uzemljenje. U slučaju nepravilnog rada ili kvara, uzemljenje će umanjiti rizik od pojave strujnog udara tako što će električnoj struji omogućiti da nađe put sa najmanjim otporom. Ovaj uređaj je oprijemljen priključkom za sprovođenje uzemljenja.
- Neophodno je da priključak bude povezan sa odgovarajućim izlazom postavljenim i uzemljenim u skladu sa svim lokalnim kodeksima i naredbama.
- Neodgovarajuće povezivanje oprijeme sa provodnikom uzemljenja može da izazove pojavu rizika od strujnog udara.
- Ukoliko imate nedoumice u vezi sa pravilnim uzemljenjem uređaja, provjerite uzemljenje zajedno sa kvalifikovanim električarom ili prijedstavnikom servisa.

- Ukoliko priključak koji ste dobili uz uređaj ne odgovara izlazu, nemojte ga prijavljati.
- Neka Vam kvalifikovani električar postavi odgovarajući izlaz.
- Nemojte na agresivan način rukovati vratima ili policama za posude u okviru mašine za pranje posuda i nemojte sjediti, niti stajati na njima.
- Nemojte puštati u rad svoju mašinu za pranje posuda ukoliko sve table kućišta nisu na svojim pozicijama.
- Budite veoma pažljivi prilikom otvaranja vrata mašine za pranje posuda dok ona radi, jer postoji rizik da Vas isprska mlaz vode.
- Ne stavljajte teške prijedmete na otvorena vrata mašine i nemojte stajati na njima. Uređaj bi se mogao prijevnuti.
- Prilikom raspoređivanja posuda koje je potrebno oprati:
 1. Oštre prijedmete rasporedite tako da ne mogu da oštete zaptivku na vratima;
 2. Upozorenje: Noževe i ostali pribor oštih vrhova morate rasporediti u korpi tako da im vrhovi budu okrenuti ka dole ili ih morate postaviti u horizontalni položaj.
- Neki deterđenti za mašinsko pranje posuda su jako alkalni. Ukoliko dođe do njihovog gutanja, mogu biti izuzetno opasni. Izbjegavajte kontakt sa kožom i očima, a djecu držite dalje od mašine za pranje posuda ukoliko su vrata otvorena.
- Po završetku ciklusa pranja, provjerite da li ima još praha od deterđenta.
- Nemojte prati plastično posude, osim ukoliko nosi oznaku "bezbijedno za mašinsko pranje" ili slično.
- Kod plastičnog posuda koje ne nosi nikakvu oznaku, provjerite priporuke proizvođača.
- Upotrebljavajte isključivo deterđente i sredstva za ispiranje priporučena za upotrebu u automatskim mašinama za pranje posuda.
- Nikada nemojte u mašinu za pranje posuda stavljati sapun, deterđent za pranje veša ili deterđent za pranje ruku.
- Ne ostavljajte otvorena vrata, jer time povećavate rizik od saplitanja.
- Ukoliko je priključni kabl oštećen, njegovu zamjenu mora da obavi proizvođač, servis koji je proizvođač angažovao ili lica sa sličnim kvalifikacijama, kako bi se izbjegla opasnost.
- Prilikom postavljanja, priključni kabl se ne smije savijati ili pritiskati na prijekomjeran ili opasan način.
- Nemojte nepropisno prijavljati kontrolne tastere.
- Uređaj je potrebno povezati sa glavnim ventilom za vodu pomoću novog kompleta crijeva. Nemojte upotrebljavati stare komplete crijeva.
- U cilju uštede energije, uređaj će se u režimu pripravnosti automatski isključiti ukoliko mašina nije aktivna tokom perioda od 15 minuta.
- Maksimalni broj kompleta prilikom pranja iznosi 14.
- Maksimalni dozvoljeni pritisak ulazne vode iznosi 1 MPa.
- Minimalni dozvoljeni pritisak ulazne vode iznosi 0,04 MPa.

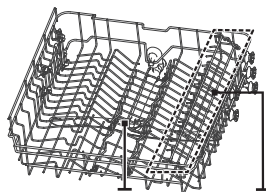
PRIKAZ PROIZVODA



Za maksimalni učinak Vaše mašine za pranje posuda, prije prve upotrebe pročitajte kompletno uputstvo za upotrebu.



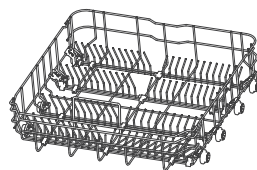
Ladica za pribor za jelo



Gornja prskalica

Polica za čaše

Gornja korpa



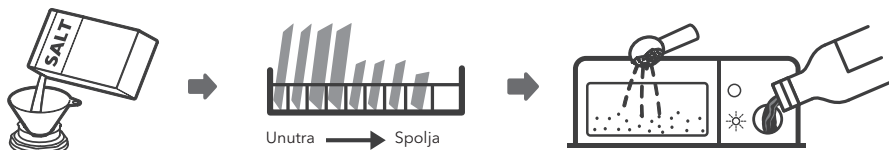
Donja korpa

NAPOMENA

Slike su date isključivo u ilustrativne svrhe. Pogledajte izgled svog proizvoda.

UPOTREBA VAŠE MAŠINE ZA PRANJE POSUĐA

Prije nego što počnete da koristite svoju mašinu za pranje posuđa:



1. Podesite omekšivač vode
2. Stavite so u omekšivač
3. Rasporedite posuđe u korpe
4. Napunite posudu za deterdžent / sredstvo za ispiranje

NAPOMENA

Ukoliko je potrebno da podesite omekšivač vode, pogledajte odjeljak 1 „Omekšivač vode“, koji se nalazi u DIJELU II: Uputstvo za određeni model.

Stavljanje soli u omekšivač

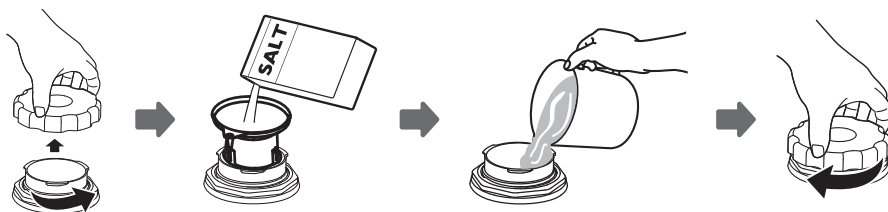
NAPOMENA

Ukoliko se u okviru Vašeg modijela mašine ne upotrebljava omekšivač vode, ovaj odjeljak možete prijeskočiti. Uvijek koristite isključivo so koja je namijenjena za mašinu za pranje posuđa. Posuda za so se nalazi ispod donje korpe, a dopunjuje se na način prikazan dalje u tekstu:

UPOZORENJE!

- **Koristite isključivo so koja je posebno proizvedena za mašine za pranje posuđa!**
Svaka druga vrsta soli, koja nije posebno proizvedena za mašinu za pranje posuđa, a naročito jestiva so, oštetiće omekšivač vode. U slučaju oštećenja nastalih usljed upotrebe neodgovarajuće vrste soli, proizvođač ne pruža nikakve garancije, niti je odgovoran za bilo kakvo oštećenje nastalo tom prilikom.
- **So dopunjujte isključivo neposredno prije nego što mašina započne ciklus pranja.**
Na taj način ćete spriječiti zadržavanje potencijalno prosutih zrna soli ili slane vode na dnu mašine tokom određenog vremenskog perioda, što može izazvati hrđanje.

Pratite sljedeće korake kako biste dodali so za mašinu za pranje posuđa:



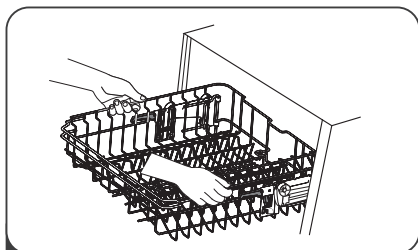
1. Skinite donju korpu i odšrafite poklopac rezervoara.
2. Stavite donji deo ljevka (koji se dostavlja uz proizvod) u otvor i naspete oko 1,5 kg soli za mašinu za pranje posuđa.
3. Dopunite posudu za so vodom do njene maksimalne granice. Uobičajeno je da se, tom prilikom, iz posude za so prospe manja količina vode.
4. Nakon što napunite posudu, ponovo stavite poklopac i dobro ga zašrafite.
5. Nakon što naspete so u posudu za so, lampica upozorenja za količinu soli će prijestati da svijetli.
6. Neki od programa pranja bi trebalo pokrenuti odmah po stavljanju soli u posudu za so (Prijedlažemo upotrebu nekog od kraćih programa). U suprotnom, slana voda bi mogla da ošteti sistem za filtriranje, pumpu ili neke druge važne dijelove mašine. U tom slučaju, garancija se neće primjenjivati.

NAPOMENA

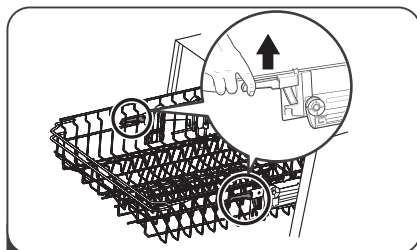
- Posuda za so se mora dopunjavati samo kada se na kontrolnoj tabli uključi lampica upozorenja za količinu soli ☹️. Zavisno od stepena rastvorljivosti soli, lampica upozorenja za količinu soli može nastaviti da svijetli iako je posuda za so dopunjena. Ukoliko uređaj na kontrolnoj tabli nema lampicu upozorenja za količinu soli (kod nekih modijela), na osnovu broja ciklusa mašine možete proceniti kada ćete staviti so u omekšivač.
- Ukoliko je došlo do prosipanja soli, uključite program natapanja ili neki od kraćih programa kako biste je uklonili.

Savet za upotrebu korpi

Podešavanje gornje korpe



1 Da podignete policu u gornju poziciju, podižite je sve dok obje strane ne budu na istoj visini. Polica će biti pričvršćena.



2 Da spustite policu, pritisnite dršku ka dole i otpustite.

Sklopanje policia za šolje

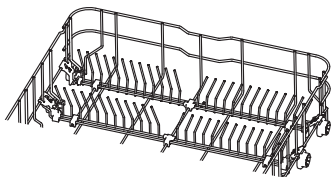
Da u korpi mašine za pranje posuda napravite više prostora za visoko posuđe, podignite policu za šolje naviše. Na taj način, uz nju možete prisloniti visoke čaše. Možete je i skinuti ukoliko Vam nije potrebna.



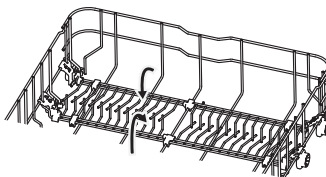
Sklopanje policia sa šiljcima

Šiljci se koriste za pridržavanje tanjira i ovala. Mogu se spustiti kako bi se napravilo više prostora za veće posuđe.

podignite ka gore



sklopite ka nazad



ODRŽAVANJE I ČIŠĆENJE

Održavanje spoljašnjosti uređaja

Vrata i zaptivka za vrata

Zaptivke za vrata redovno čistite mekom, vlažnom krpom kako biste uklonili naslage hrane. Prilikom raspoređivanja posuđa u mašini za pranje posuđa, ostaci hrane i pića mogu kapati po bočnim stranama vrata mašine za pranje posuđa. Ove površine se nalaze izvan prostora za pranje i voda iz ručica prskalica ih ne može dohvatiti. Prije nego što zatvorite vrata, obrišite eventualne naslage.

Kontrolna tabla

Ukoliko je kontrolnu tablu potrebno očistiti, brišite je ISKLJUČIVO mekom, vlažnom krpom.



UPOZORENJE!

- Da biste izbegli prodiranje vode u bravu vrata i u električne komponente, nemojte koristiti nikakva sredstva za čišćenje u sprijeju.
- Nikada ne upotrebljavajte abrazivna sredstva za čišćenje ili abrazivne sundere prilikom čišćenja spoljašnjih površina, jer tako možete izgubiti završni sloj. Neki papirni ubrusi takođe mogu izgubiti površinu ili ostaviti tragove na njoj.

Održavanje unutrašnjosti uređaja

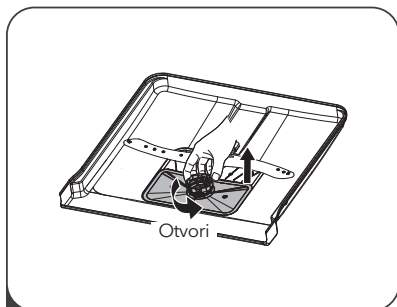
Sistem za filtriranje

Sistem za filtriranje, koji se nalazi u donjem delu prostora za pranje, zadržava veći otpad nastao tokom ciklusa pranja. Prikupljeni veći otpad može da dovede do začepjenja filtera. Redovno provjeravajte filtere i po potrebi ih čistite pod mlazom vode. Za čišćenje filtera u prostoru za pranje, pratite sljedeće korake.

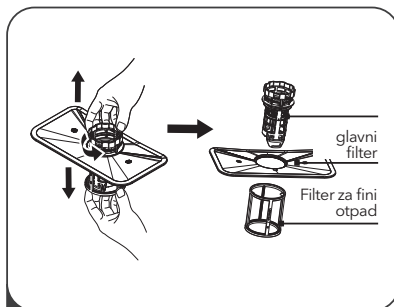


NAPOMENA

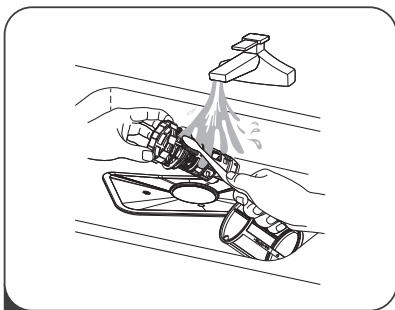
Slike su date isključivo u ilustrativne svrhe. Kod različitih modijela, sistemi za filtriranje i ručice prskalica se mogu razlikovati. Pogledajte izgled svog proizvoda.



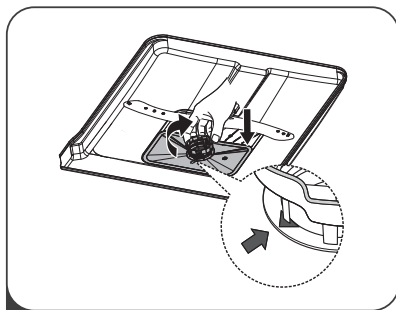
- 1** Uхватite filter za veći otpad i okrenite ga u smjeru suprotnom od smjera kazaljke na satu kako biste ga otključali. Podignite filter naviše i izvucite ga iz mašine za pranje posuđa.



- 2** Filter za fini otpad se može izvuci sa dna montažnog dijela za filter. Filter za veći otpad se može odvojiti od glavnog filtera laganim pritiskanjem jezičaka na vrhu i izvlačenjem.



- 3** Veći ostaci hrane se mogu očistiti ispiranjem filtera pod mlazom vode. Za temeljnije čišćenje, koristite meku četku za čišćenje.



- 4** Filtere ponovo postavite obrnutim redoslijedom u odnosu na redoslijed kojim ste ih rasklapali, ponovo postavite uložak filtera i okrenite ga u smjeru kazaljke na satu, sve do strelice.

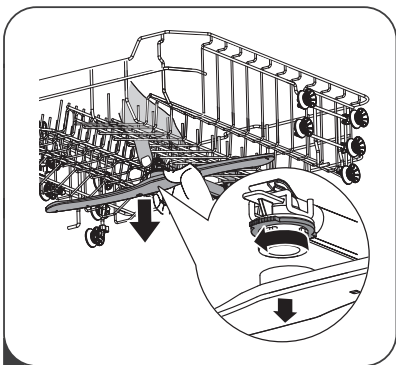
UPOZORENJE!

- Nemojte prijevako pričvršćivati filtere. Vratite filtere određenim redosledom i dobro ih pričvrstite. U suprotnom, veći komadi otpada bi mogli ući u sistem i izazvati začepljenje.
- NIKADA ne upotrebljavajte mašinu za pranje posuda ako filteri nisu na odgovarajući način postavljeni. Nepravilno postavljanje filtera može smanjiti nivo radnog učinka uređaja i oštetiti posude i pribor.

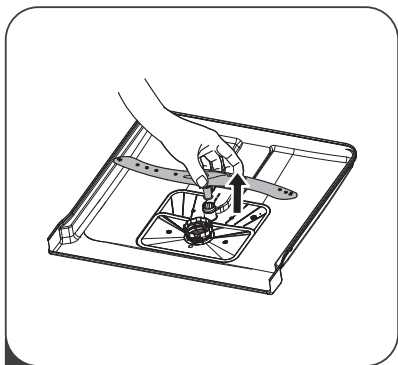
Ručice prskalice

Ručice prskalice je neophodno redovno čistiti, jer će, u suprotnom, hemikalije iz tvrde vode začepiti mlaznice i blokirati ležajeve ručica prskalice.

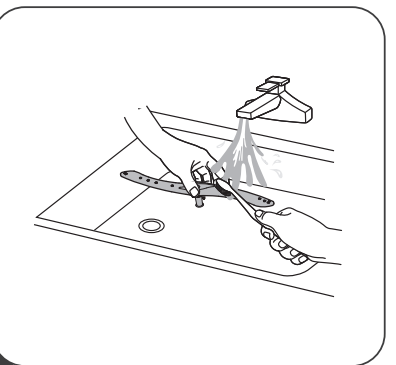
Za čišćenje ručica prskalice, pratite sledeća uputstva:



- 1** Da biste skinuli ručicu gornje prskalice, pritisnite centralni zavrtnj tako da se ne kreće, a zatim zarotirajte ručicu prskalice u smjeru suprotnom od smjera kazaljke na satu.



- 2** Da biste skinuli ručicu donje prskalice, povucite ručicu prskalice uvis.



- 3** Ručice operite u toploj vodi sa sapunicom, a za čišćenje mlaznica upotrebite meku četku. Nakon temeljnog ispiranja, ponovo ih postavite u uređaj.

Briga o mašini za pranje posuđa

Mjere zaštite od mržjenja

Tokom zime, prijeduzmite sve mjere da zaštitite mašinu za pranje posuđa od mržjenja. Nakon svakog ciklusa pranja, obavite sljedeće :

1. Izvucite utikač mašine za pranje posuđa iz utičnice.
2. Isključite dovod vode i skinite dovodnu cev za vodu sa ventila za vodu.
3. Istočite vodu iz dovodne cevi i iz ventila za vodu. (Za prikupljanje vode, upotrebite lavor)
4. Ponovo povežite dovodnu cev za vodu sa ventilom za vodu.
5. Skinite filter sa dna prostora za pranje i sunđerom pokupite vodu iz slivnika.

Nakon svakog pranja

Nakon svakog pranja isključite dovod vode do uređaja i ostavite vrata djelimično otvorena kako se vlaga i mirisi ne bi zadržavali u uređaju.

Izvucite utikač iz utičnice

Prije svakog čišćenja ili postupka održavanja izvucite utikač iz utičnice.

Ne upotrebljavajte rastvarače ili abrazivna sredstva za čišćenje

Ne upotrebljavajte rastvarače ili abrazivne proizvode prilikom čišćenja spoljašnjeg dijela i gumenih elemenata uređaja. Upotrebljavajte isključivo krpu natopljenu toplom vodom sa sapunicom.

Za uklanjanje fleka ili mrlja sa unutrašnjih površina uređaja koristite krpu navlaženu vodom sa malo sirćeta ili specijalizovan proizvod za čišćenje mašina za pranje posuđa.

Kada se uređaj ne upotrebljava tokom dužeg vremenskog perioda

Preporučuje se da praznu mašinu za pranje posuđa uključite da radi jedan ciklus, a zatim da izvučete utikač iz utičnice, isključite dovod vode i ostavite vrata uređaja djelimično otvorena. Ovim postupkom ćete produžiti životni vek zaptivkama na vratima i spriječiti stvaranje neprijatnih mirisa unutar uređaja.

Transport uređaja

Ukoliko je neophodno preseliti uređaj, pokušajte da ga tokom tog procesa držite u uspravnom položaju. Samo ako je to zaista neophodno, uređaj položite na njegov zadnji dio.

Zaptivke

Jedan od faktora koji dovode do nastanka neprijatnih mirisa unutar mašine za pranje posuđa je hrana zaglavljena u zaptivkama. Da biste ovo spriječili, povremeno očistite vlažnom spužvicom.

UPUTSTVA ZA POSTAVLJANJE

UPOZORENJE!



Opasnost od strujnog udara

Prije postavljanja mašine za pranje posuđa, prekinite dovod struje.

Ukoliko to ne učinite, možete izazvati nečiju smrt ili nekoga izložiti strujnom udaru

PAŽNJA!

Postavljanje crijeva i električne opreme treba da obavi profesionalno lice.

O električnom povezivanju

UPOZORENJE!

Radi lične bezbjednosti:

- Za povezivanje ovog uređaja sa strujom ne upotrebljavajte produžne kablove ili adaptere.
- Nemojte ni pod kojim okolnostima sjeći ili skidati vezu za uzemljenje sa priključnog kabla.

Zahtjevi u vezi sa električnom opremom

Pogledajte pločicu sa nominalnim podacima kako biste znali koji nominalni napon Vaša mašina za pranje posuda koristi i kako biste je priključili na odgovarajuću utičnicu. Koristite preporučeni osigurač sa zahtijevanim naponom od 10A/13A/16A, vremenski osigurač ili prekidač i obezbijedite zasebno strujno kolo namijenjeno isključivo ovom uređaju.

Električno povezivanje

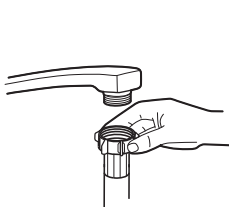
Uvjerite se da napon i frekvencija struje odgovaraju vrijednostima navedenim na pločici sa nominalnim podacima. Povežite utikač isključivo sa utičnicom koja je pravilno uzemljena. Ukoliko utičnica na koju morate priključiti uređaj ne odgovara utikaču, zamijenite utičnicu. Nemojte upotrebljavati adaptere i sličnu opremu, jer mogu dovesti do pregrijavanja i izazvati opekotine.

⚠ Prije upotrebe se uvjerite da postoji odgovarajuće uzemljenje.

Dovod i odvod vode

Povezivanje sa hladnom vodom

Povežite dovodno crijevo za hladnu vodu na konektor od 3/4 (cola) sa navojima i uvjerite se da je ono dobro pričvršćeno. Ukoliko su cijevi za vodu nove ili ako nisu upotrebljavane tokom dužeg vremenskog perioda, propustite kroz njih vodu i provjerite da li je voda čista. Ovu mjeru predostrožnosti je neophodno obaviti kako bi se izbjegao rizik od blokiranja protoka vode na ulazu i oštećenja uređaja.



obično dovodno
crijevo



sigurnosno dovodno crijevo

O sigurnosnom dovodnom crijevu

Sigurnosno dovodno crevo se sastoji od duplih zidova. Sistem na ovom crevu pruža garanciju da će ono blokirati protok vode u slučaju pucanja dovodnog creva i onda kada se prostor između samog dovodnog creva i spoljašnjeg rebrastog creva, koji je ispunjen vazduhom, napuni vodom.

⚠ UPOZORENJE!

Crijevo povezano sa tušem za sudoperu može da pukne ukoliko je postavljeno na isti dovod vode kao i mašina za pranje posuda. Ukoliko takvo crijevo imate u svojoj sudoperi, preporučuje se da ga skinete i zatvorite otvor.

Kako da povežete sigurnosno dovodno crijevo

1. Potpuno izvadite sigurnosna dovodna crijeva iz skladišnog prostora na zadnjem dijelu mašine za pranje posuda.
2. Pričvrstite zavrtnje sigurnosnog dovodnog crijeva na slavinu od 3/4 cola sa navojima.
3. Prije nego što mašinu za pranje posuda pustite u rad, potpuno odvrnite vodu.

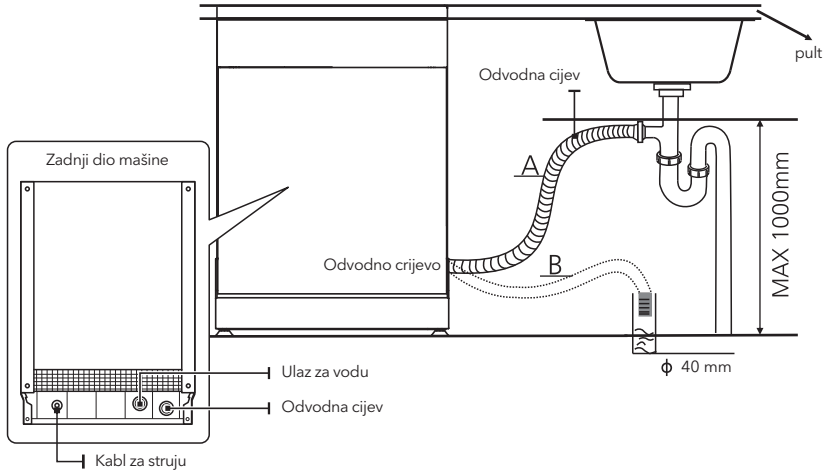
Kako da skinete sigurnosno dovodno crijevo

1. Isključite vodu.
2. Odšarafite sigurnosno dovodno crijevo sa slavine.

Povezivanje odvodnih crijeva

Ubacite odvodno crijevo u odvodnu cijev minimalnog prečnika od 4 cm ili ga ostavite da ističe u slivnik, vodeći pritom računa da ga ne savijate i ne prelamate. Odvodna cijev mora biti locirana na visini manjoj od 1000 mm. Slobodni dio crijeva se ne smije uranjati u vodu kako bi se izbjeglo vraćanje vode.

⚠ Dobro pričvrstite odvodno crijevo i u slučaju pozicije A i u slučaju pozicije B.



Kako da isпустite višak vode iz crijeva

Ukoliko je slivnik na visini većoj od 1000 mm od poda, višak vode u crijevima neće moći da se ispusti direktno u slivnik. Neophodno je da višak vode iz crijeva isпустite u neku posudu ili odgovarajući sud koji ćete držati izvan slivnika i na nižem nivou od njega.

Odvod vode

Povežite odvodno crijevo za vodu. Odvodno crijevo mora biti pravilno povezano kako bi se izbjeglo curenje vode. Uvjerite se da odvodno crijevo za vodu nije prelomljeno ili pritisnuto.

Produžno crevo

Ukoliko vam je potrebno produžno odvodno crijevo, uvjerite se da bude slično onome na koje ga nastavljate. Ne smije biti duže od 4 metra; u suprotnom, efekat čišćenja mašine za pranje posuda će biti umanjeno.

Povezivanje sifona

Veza sa kanalizacijom mora biti na visini manjoj od 1000 mm (maksimalno) od dna mašine za pranje posuda.

Pozicioniranje uređaja

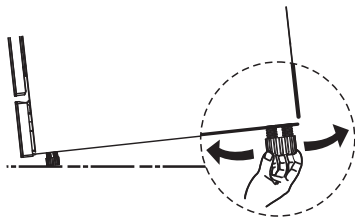
Postavite uređaj na željeno mjesto. Zadnji dio uređaja treba da se naslanja na zid iza njega, a bočne strane treba da budu poravnate sa okolnim kuhinjskim elementima ili zidovima. Mašina za pranje posuđa je opremljena dovodnim i odvodnim crijevima za vodu koja se mogu postaviti bilo sa desne ili lijeve strane, čime se olakšava pravilno postavljanje.

Nivelisanje uređaja

Kada je uređaj postavljen za nivelisanje, visinu mašine za pranje posuđa možete promijeniti podešavanjem visine šarafa na nožicama. U svakom slučaju, uređaj ne bi trebalo nakretati tako da stoji pod uglom većim od 2°.

NAPOMENA

Primjenjuje se isključivo na samostojeće mašine za pranje posuđa.



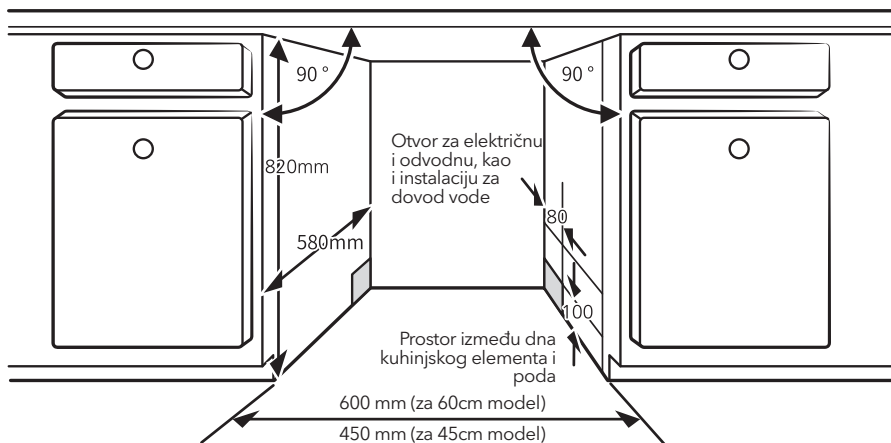
Postavljanje ugradnog uređaja (kod integrisanog modela)

Korak 1. Izbor najbolje lokacije za mašinu za pranje posuđa

Mašina za pranje posuđa treba da bude postavljena u blizini postojećih dovodnih i odvodnih crijeva i priključnog kabela.

Ilustracija dimenzija kuhinjskih elemenata i mjesta postavljanja mašine za pranje posuđa.

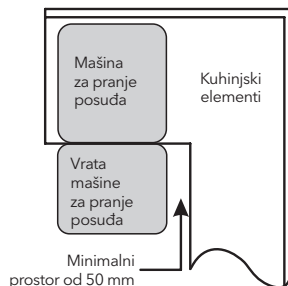
1. Manje od 5 mm između gornje površine mašine za pranje posuđa i kuhinjskog elementa, kao i spoljnih vrata u ravni sa kuhinjskim elementom.



2. Ako mašinu za pranje posuđa postavljate u krajnji ugao u odnosu na kuhinjske elemente, potrebno je da ostavite dovoljno mjesta za otvaranje vrata.

NAPOMENA

Zavisno od toga gdje se nalazi otvor za električne instalacije, možda ćete morati da presečete otvor na suprotnoj strani kuhinjskog elementa.



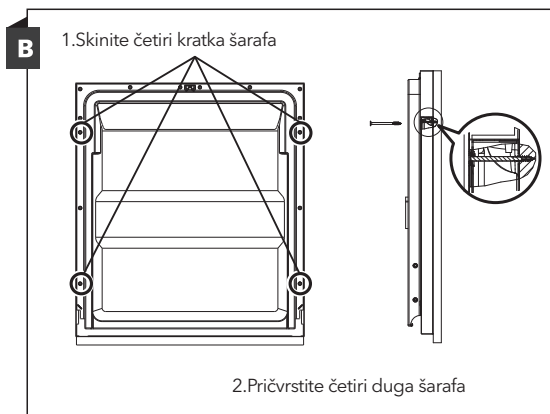
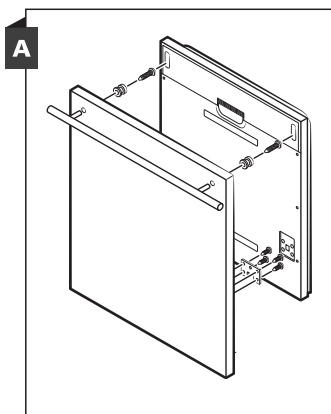
Korak 2. Dimenzije i postavljanje ukrasne table

NAPOMENA

Ukrasnu uređaja, drvenu tablu biste mogli napraviti na osnovu crteža koji se odnose na postavljanje

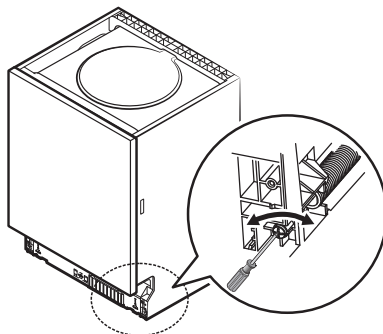
Potpuno integrisani model

Pričvrstite nosač na drveni front panel i postavite ga u otvor koji se nalazi na spoljašnjoj strani vrata mašine za pranje posuda (pogledajte sliku A). Nakon pozicioniranja panela, pričvrstite je za spoljašnju stranu vrata pomoću šarafa i zavrtnja (pogledajte sliku B).



Korak 3. Podešavanje zategnutosti opruge na vratima

1. Zategnutost opruga na spoljašnjim vratima je fabrički pravilno podešena. Ukoliko postavljate ukrasne drvene table, morate podesiti zategnutost opruge na vratima. Okrećite šaraf za podešavanje kako biste regulator dodatno zategli ili kako biste opustili čeličnu sajlju.
2. Zategnutost opruge na vratima je pravilno podešena ako vrata ostaju u horizontalnom položaju kada su potpuno otvorena i ako se u zatvoreni položaj vraćaju podizanjem prstom uz najmanji napor.



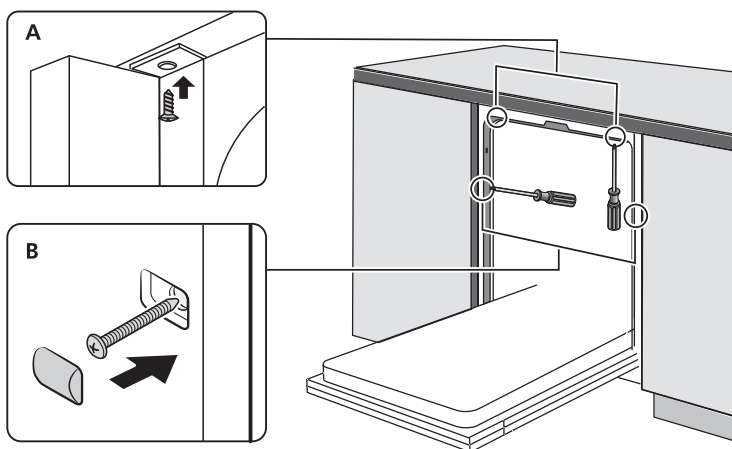
Korak 4. Koraci za postavljanje mašine za pranje posuda



NAPOMENA

Pogledajte navedene korake za postavljanje uređaja na crtežima za postavljanje.

1. Ispod radne površine kuhinjskih elemenata pričvrstite bandaž traku. Uvjerite se da bandaž traka dobro naliježe na ivicu radne površine. (Korak 2)
2. Povežite ulazno crijevo sa dovodom hladne vode.
3. Povežite odvodno crijevo.
4. Povežite priključni kabl.
5. Postavite mašinu za pranje posuda na za nju predviđeno mjesto. (Korak 4)
6. Iznivelišite mašinu za pranje posuda. Zadnja nožica se može podešavati sa prednje strane mašine za pranje posuda okretanjem krstastog šarafa koji se nalazi u sredini dna mašine za pranje posuda. Da podesite prednje nožice, upotrijebite ravni odvijač i okrećite prednje nožice sve dok ne iznivelišete mašinu za pranje posuda. (Korak 5)
7. Postavite ukrasna vrata na spoljnu stranu vrata mašine za pranje posuda.
8. Podesite zategnutost opruga na vratima pomoću imbus ključa koji ćete okretati u smjeru kretanja kazaljke na satu, čime ćete zategnuti i lijevu i desnu oprugu. Ukoliko to ne učinite, možete oštetiti svoju mašinu za pranje posuda.
9. Mašina za pranje posuda mora biti dobro pričvršćena. Ovo se radi na dva načina:
 - A. Normalna radna površina: Postavite nosač za pričvršćivanje u otvor na bočnom dijelu i pričvrstite ga za radnu površinu šarafima za drvo.
 - B. Mermerna ili granitna radna površina: Pričvrstite šarafom sa bočne strane.

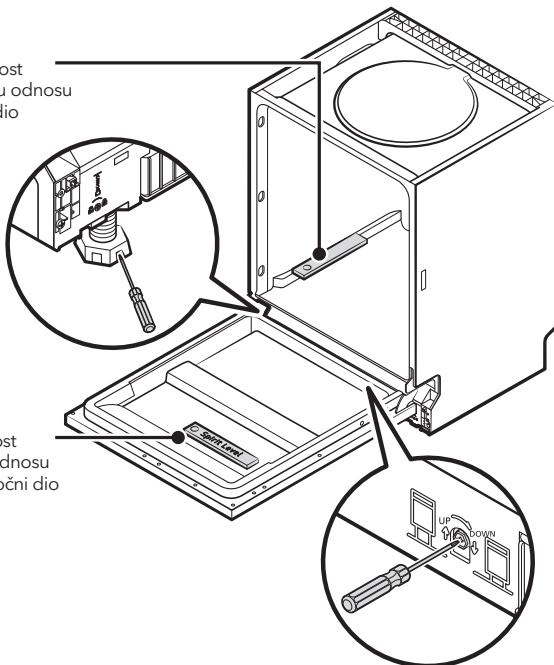


Nivelisanje mašine za pranje posuda

Mašina za pranje posuda mora biti iznivelisana radi pravilne upotrebe police za posude i boljeg učinka prilikom pranja.

1. Postavite libelu na vrata i na šinu police unutar prostora za pranje na način prikazan na slici kako biste provjerili da li je mašina za pranje posuda iznivelisana.
2. Iznivelišite mašinu za pranje posuda tako što ćete zasebno podešeti svaku od tri nožice za nivelisanje.
3. Prilikom nivelisanja mašine za pranje posuda, povedite računa da se mašina za pranje posuda ne prevrne.

Provjerite iznivelisanost prednjeg u odnosu na zadnji dio



Proverite iznivelisanost jednog u odnosu na drugi bočni dio

NAPOMENA

Maksimalna visina podešavanja nožice iznosi 50 mm.

SAVJETI ZA OTKLANJANJE KVAROVA

Prije nego što pozovete servis

Pročitajte informacije prikazane na stranama koje slijede jer na taj način možete izbjeći pozivanje servisa.

Problem	Mogući uzroci	Šta možete učiniti
Mašina za pranje posuda ne počinje da radi	Osigurač je pregorio ili je prekidlač prekinuo strujno kolo.	Zamijenite osigurač ili ponovo uključite prekidlač. Isključite sve uređaje koji koriste isto strujno kolo kao i mašina za pranje posuda.
	Napajanje je prekinuto.	Uvjerite se da je mašina za pranje posuda uključena i da su vrata dobro zatvorena. Uvjerite se da je priključni kabl pravilno priključen u utičnicu.
	Pritisak vode je nizak.	Provjerite da li je mašina pravilno povezana na dovod vode i da li je voda puštena.
	Vrata mašine za pranje posuda nisu pravilno zatvorena.	Uvjerite se da su vrata pravilno zatvorena i da su se zaključala.
Mašina za pranje posuda ne izbacuje vodu	Odvodno crijevo je presavijeno ili pritisnuto.	Provjerite odvodno crijevo.
	Filter je začepljen.	Provjerite filter za veći otpad.
	Sudopera je začepljena.	Provjerite sudoperu kako biste se uvjerali da dobro odvodi vodu. Ukoliko je problem izazvala sudopera koja ne odvodi vodu, vjerovatno će Vam vodoinstalater biti potrebniji od servisera mašina za pranje posuda.
Sapunica u prostoru za pranje	Neodgovarajući deterdžent.	Upotrebljavajte isključivo specijalni deterdžent za mašinsko pranje posuda kako biste izbjegli stvaranje sapunice. Ukoliko se ovo dogodi, otvorite mašinu za pranje posuda i sačekajte da sapunica ispari. Prospite otprilike 4l hladne vode na dno mašine. Zatvorite vrata mašine, a zatim izaberite bilo koji ciklus pranja. Mašina će, na početku, ispustiti vodu. Po završetku faze ispuštanja vode, otvorite vrata i proverite da li ima još sapunice. Po potrebi ponovite ovaj postupak.
	Sredstvo za ispiranje se prosulo.	Uvijek i odmah obrišite sredstvo za ispiranje ukoliko se prospe.
Fleke po unutrašnjem dijelu prostora za pranje	Možda je upotrebljavan deterdžent koji sadrži sredstvo za bojenje.	Uvjerite se da deterdžent ne sadrži sredstvo za bojenje.
Bijeli film po unutrašnjim površinama prostora za pranje	Minerali tvrde vode.	Za čišćenje unutrašnjosti koristite vlažnu spužvicu koja sadrži deterdžent za mašinsko pranje posuda. Nosite gumene rukavice. Nikada ne koristite druga sredstva za čišćenje jer može doći do stvaranja pjene ili sapunice.
Na priboru za jelo se javljaju mrlje od hrđe	Pribor za jelo je napravljen od materijala koji nisu otporni na hrđu.	Izbegavajte da u mašini za pranje posuda perete posude koje nije otporno na rđu.
	Mašinu niste pustili u rad odmah po dodavanju soli. Tragovi soli su dospjeli u ciklus pranja.	Po dodavanju soli, uvijek uključite neki od programa pranja bez posuda u mašini. Ne uključujte opciju Turbo (ukoliko je mašina ima).
	Poklopac posude za omekšivač nije dobro zatvoren.	Provjerite da li je poklopac posude za omekšivač dobro zatvoren.

Problem	Mogući uzroci	Šta možete učiniti
U mašini za pranje posuđa se čuje udaranje	Ručica prskalice udara o neku posudu u korpi	Prekinite program i ponovo rasporedite posude koje blokira ručicu prskalice.
U mašini za pranje posuđa se čuje zveckanje	Lomljivo posuđe u mašini za pranje sudova nije raspoređeno tako da stoji stabilno.	Prekinite program i ponovo rasporedite lomljivo posuđe.
U cijevima za vodu se čuje udaranje	Razlog ovome može biti postavljanje na samom mjestu ili ukrštanje cijevovoda.	Ovo ni na koji način ne utiče na rad mašine za pranje posuđa. Ukoliko imate bilo kakvih nedoumica, kontaktirajte kvalifikovanog vodoinstalatera.
Posuđe nije čisto	Posuđe nije pravilno raspoređeno.	Pogledajte DIO II „Pripremanje i raspoređivanje posuđa u mašini“
	Program nije dovoljno snažan.	Uključite intenzivniji program.
	Nije stavljeno dovoljno deterdženta.	Stavite više deterdženta ili promenite deterdžent.
	Posuđe blokira kretanje ručica prskalice.	Ponovo rasporedite posuđe tako da prskalice mogu da se neometano okreću.
	Komplet filtera je zaprljan ili nije pravilno postavljen na dno prostora za pranje u mašini. Na ovaj način mogu se za blokirati mlaznice na ručicama prskalice.	Očistite i/ili pravilno postavite filter. Očistite mlaznice na ručicama prskalice.
Posuđe od stakla je mutno.	Kombinacija meke vode i prevelike količine deterdženta.	Ukoliko je voda koju koristite meka, upotrebljavajte manje deterdženta i koristite kraće cikluse za pranje staklenog posuđa.
Na posuđu i čašama se javljaju bijele mrlje.	Upotreba tvrde vode može da izazove formiranje naslaga kamenca.	Provjerite podešavanja omekšivača vode ili napunite posudu za so.
Na posuđu se javljaju crne ili sive mrlje	Posuđe je bilo u snažnijem kontaktu sa priborom od aluminijuma.	Za uklanjanje pomenutih mrlja, koristite blago abrazivno sredstvo za čišćenje.
U posudi za deterdžent je ostao deterdžent	Posuđe blokira otvaranje posude za deterdžent.	Ponovo rasporedite posude na odgovarajući način.
Posuđe se ne suši	Posuđe nije pravilno raspoređeno.	Rasporedite posuđe na način prikazan u uputstvu. Kako biste izbjegli iritaciju kože, pošto se na posuđu mogu naći ostaci deterdženta, koristite rukavice.
	Posuđe je prebrzo izvađeno iz mašine.	Nemojte vaditi posuđe iz mašine za pranje sudova odmah po završetku ciklusa pranja. Malo otvorite vrata kako biste ispustili paru. Izvucite posuđe tek kada se temperatura unutar prostora za pranje dovoljno spusti da možete da dodirujete predmete. Najprije izvadite posuđe sa donje korpe, kako voda sa gornje korpe ne bi kapala po donjoj.
Posuđe se ne suši	Uključili ste pogrešan program.	Kod kraćih programa, temperatura pranja je niža, što umanjuje učinak pranja. Izaberite program koji ima dugi period pranja.
	Upotreba pribora za jelo sa nekvalitetnim završnim slojem.	Postupak cijeđenja vode je teži kod ovakvog posuđa. Pribor za jelo ili posuđe ovog tipa nisu pogodni za pranje u mašini za pranje posuđa.

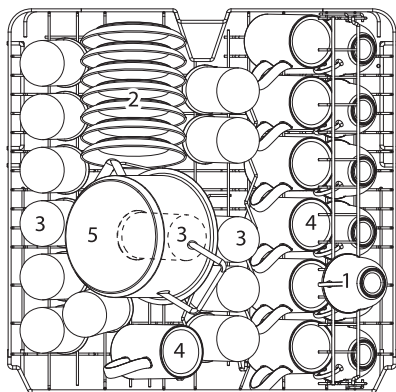

UPOZORENJE!

Popravljanje uređaja od strane nestručnog lica može dovesti do ugrožavanja bezbjednosti korisnika uređaja. Također, može uticati na promjenu uslova garancije.

RASPOREĐIVANJE POSUĐA U KORPAMA U SKLADU SA STANDARDOM EN60436

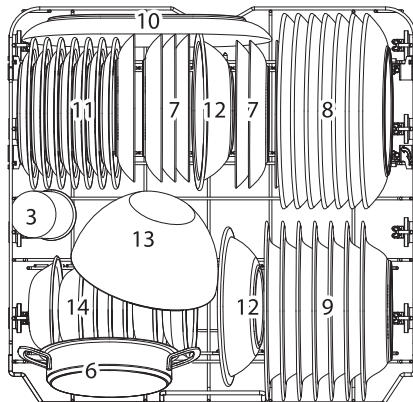
Korištenje punog kapaciteta mašine za posude prilikom punjenja, doprinosi uštedi energije i vode.

1. Gornja korpa:



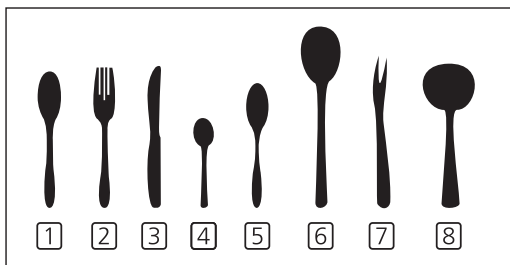
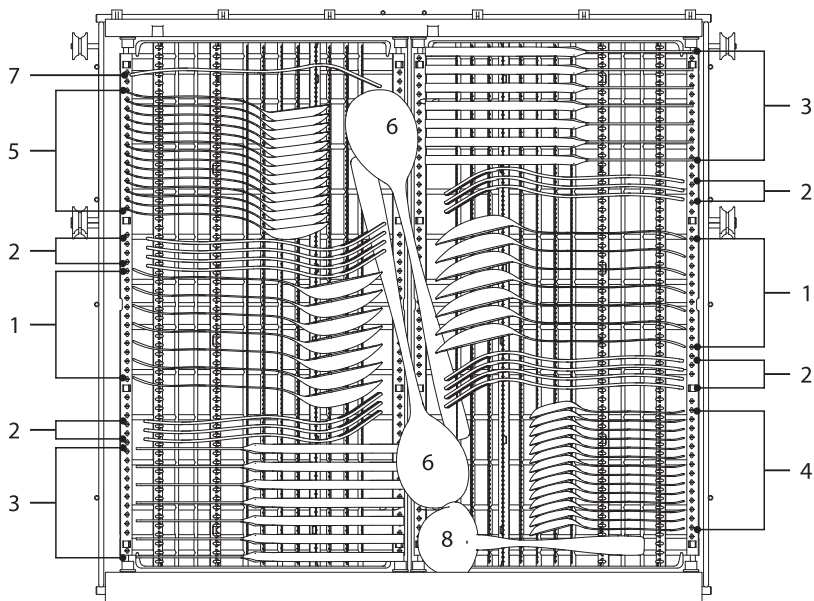
Broj	Stavka
1	Šolje
2	Tacne
3	Čaše
4	Krigle
5	Mala šerpa

2. Donja korpa:



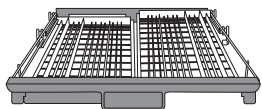
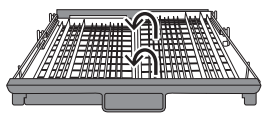
Broj	Stavka
6	Šerpa za pečenje
7	Tanjiri za dezert
8	Tanjiri za ručavanje
9	Tanjiri za supu
10	Oval
11	Tanjiri za dezert od melamina
12	Posude od melamina
13	Staklena činija
14	Posude za dezert

3. Polica za pribor za jelo:

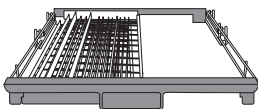
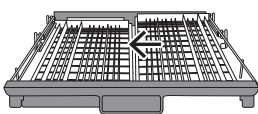


Informacije u vezi sa uporednim testovima
u skladu sa standardom EN60436
Kapacitet: 14 kompleta
Pozicija gornje korpe: niža pozicija
Program: ECO (EKOLOŠKI)
Podešavanje za sredstvo za ispiranje: MAX (MAKSIMALNO)
Podešavanje za omekšivač: H3

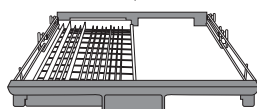
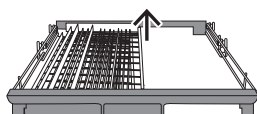
Broj	Stavka
1	Supene kašike
2	Viljuške
3	Noževi
4	Kafene kašičice
5	Kašičice za desert
6	Kašike za serviranje
7	Viljuške za serviranje
8	Kutlače za sos

Stalak za pribor za jelo - Korišteni savjeti

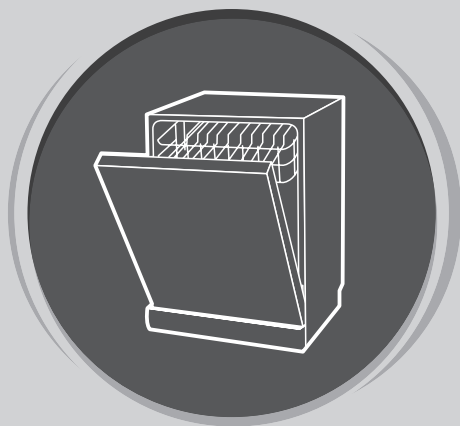
Podignite desni koš, i lijevi i desni koš su ravni.



Pomjeri desni koš s desna na lijevo, dva koša se preklapaju.



Izvadite desnu korpu iz ležišta, ima samo lijevu korpu.



MAŠINA ZA PRANJE POSUĐA

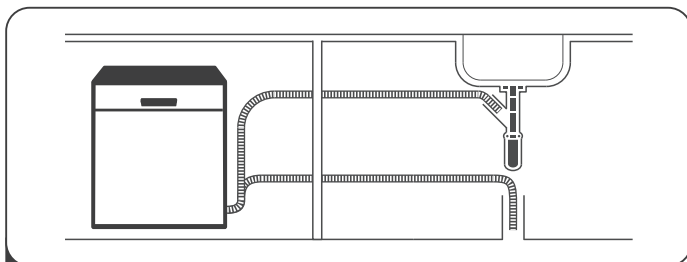
Uputstvo za upotrebu

**DIO II:
UPUTSTVO ZA ODREĐENI MODEL
WDI690M**

Prije upotrebe mašine za pranje posuđa, pažljivo pročitajte ovo uputstvo i sačuvajte ga za buduću upotrebu.

KRATKI VODIČ ZA UPOTREBU

Za detaljnije informacije o načinu rukovanja, pročitajte odgovarajući sadržaj u uputstvu za upotrebu.

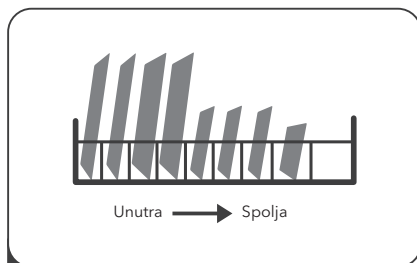


1 Postavite mašinu za pranje posuđa

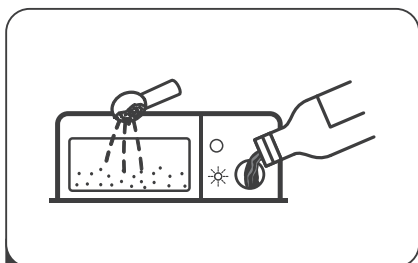
(Pogledajte odjeljak 5 „UPUTSTVA ZA POSTAVLJANJE“ u okviru DIJELA I: Uopćeno uputstvo.)



2 Uklonite veće ostatke sa posuđa. Izbjegavajte prethodno ispiranje.



3 Rasporedite posude u korpe.



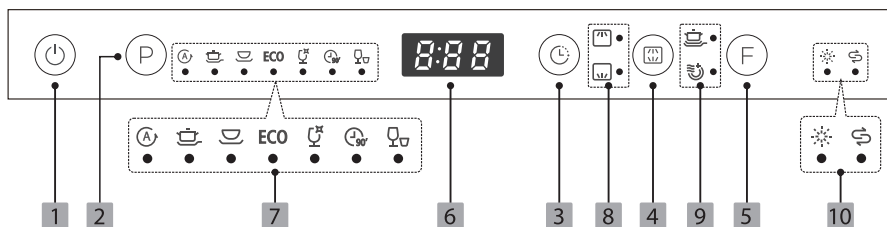
4 Napunite posudu za deterđžent / sredstvo za ispiranje.



5 Izaberite odgovarajući program i upalite mašinu za sudove.

UPOTREBA VAŠE MAŠINE ZA PRANJE POSUĐA

Kontrolna tabla


















Opcija (taster)

- 1
Uključivanje Pritisnite ovo dugme, da biste uključili svoju mašinu; kontrolna tabla će zasvijetliti.
- 2
Program Pritisnite ovo dugme da izaberete odgovarajući program pranja, indikator programa će zasvijetliti.
- 3
Odloženi početak Pritisnite ovaj taster kako biste podesili vrijeme odlaganja početka. Odložite ciklus do 24 sata u koracima od jednog sata.
- 4
Alt Pritisnite dugme da izaberete gornju ili donju korpu napunjenu i odgovarajući indikator će zasvijetliti.
- 5
Funkcije programa Pritisnite dugme da izaberete funkciju, odgovarajući indikator će se upaliti

Displej

- 6
Ekran Da biste prikazali preostalo vrijeme programa i vrijeme kašnjenja, kod greške itd

- 7
Indikator programa
 - 
Auto
 Pere sa automatskim senzorom, blago, normalno ili jako zaprljano posuđe, sa ili bez osušene hrane
 - 
Intenzivno
 Za najjače zaprljano posuđe i normalno zaprljane šerpe, tave, posuđe itd. Sa osušenom hranom
 - 
Univerzalno
 Za normalno zaprljane stvari, kao što su lonci, tanjiri, čaše i blago zaprljane tave.
 - 
ECO
 Ovo je standardni program podesan za normalno zaprljano posuđe, poput šerpi, tanjira, čaša i blago zaprljanih tavi.
 - 
Čaše
 Za blago zaprljano zemljano posuđe i čaše.
 - 
90 Min
 Za normalno zaprljano posuđe koje treba brzo oprati.
 - 
Ubrzano
 Kraći program pranja za blago zaprljano posuđe koje ne treba da se suši.

- 8** Alt indicator
-  **Gornji**
Kada izaberete Gornje, pere se samo posuđe u gornjoj korpi. Sistem prskanja donje korpe neće raditi.
-  **Donji**
Kada izaberete Donji, pere se samo posuđe u donjoj korpi. Sistem za prskanje gornje korpe neće raditi.
-
- 9** Function indicator
-  **Dodatno čišćenje**
Za pranje veoma prljavog posuda koje se teško čisti. (Može se koristiti samo sa Intensive, Universal, ECO, Glass, 90 min)
-  **Dodatno sušenje**
Za bolje rezultate sušenja. (Može se koristiti samo sa Intensive, Universal, ECO, Glass, 90 min)
-
- 10** Indikator upozorenja
-  **Sredstvo za ispiranje**
Ukoliko je uključena ikonica indikatora , u mašini za pranje posuda nema dovoljno sredstva za ispiranje i potrebno ga je dopuniti.
-  **So**
Ukoliko je uključena ikonica indikatora , u mašini za pranje posuda nema dovoljno soli i potrebno je dopuniti.

Omekšivač vode

Omekšivač vode se mora ručno podesiti pomoću brojčanika za tvrdoću vode.

Omekšivač vode je napravljen da iz vode ukloni minerale i soli, koji bi inače imali štetno ili nepovoljno dejstvo po rad uređaja.

Što je veći sadržaj minerala u vodi koju koristite, to je ona tvrđa.

Količinu omekšivača treba podesiti prema tvrdoći vode u oblasti u kojoj živite.

Od lokalnog nadležnog organa zaduženog za vodu možete dobiti informacije u vezi sa tvrdoćom vode u oblasti u kojoj živite.

Podešavanje utroška soli

Mašina za pranje posuda je napravljena tako da omogućava podešavanje količine utrošene soli na osnovu tvrdoće vode koja je u upotrebi. Cilj je da se nivo utroška soli optimizuje i prilagodi svakom zasebnom slučaju. Za podešavanje utroška soli, pratite sljedeće korake.

1. Otvorite vrata i uključite uređaj;
2. Pritisnite taster Program i zadržite pritisak duže od 5 sekundi kako biste aktivirali podešeni režim ispuštanja omekšivača vode u roku od 60 sekundi nakon uključivanja uređaja;
3. Pritisnite taster Program kako biste odabrali odgovarajuće podešavanje u skladu sa Vašim okruženjem. Podešavanja će se smjenjivati sljedećim redoslijedom: H1->H2->H3->H4->H5->H6;
4. Pritisnite taster za uključivanje/isključivanje kako biste kompletirali postupak podešavanja.

TVRDOĆA VODE				Nivo omekšivača vode	Regeneracija se dešava na svakih X program sekvenci ¹⁾	Potrošnja soli (grama/ ciklusu)
Njemački °dH	Francuski °fH	Britanski ° Klarkov	Mmol/l			
0 - 5	0 - 9	0 - 6	0 - 0.94	H1	Nema regeneracije	0
6 - 11	10 - 20	7 - 14	1.0 - 2.0	H2	10	9
12 - 17	21 - 30	15 - 21	2.1 - 3.0	H3	5	12
18 - 22	31 - 40	22 - 28	3.1 - 4.0	H4	3	20
23 - 34	41 - 60	29 - 42	4.1 - 6.0	H5	2	30
35 - 55	61 - 98	43 - 69	6.1 - 9.8	H6	1	60

1°dH=1.25 °fH=0.178mmol/l °Klarkov=1.78

Fabričko podešavanje: H3. Za informacije u vezi sa tvrdoćom vode koju koristite, kontaktirajte lokalni nadležni organ zadužen za vodu.

¹⁾ Svaki ciklus sa opcijom regeneracije troši dodatnih 2l vode, potrošnja energije se povećava za 0.02 kWh, a program se produžava za 4 minuta.



NAPOMENA

Ukoliko nema dovoljno soli u mašini za pranje sudova, pogledajte odjeljak 3 „Sipanje soli u omekšivač“, koji se nalazi u DELU I: Uopćeno uputstvo.



NAPOMENA

Ukoliko Vaš model uređaja nema opciju upotrebe omekšivača za vodu, ovaj dio možete preskočiti. Omekšivač za vodu

Tvrdoća vode varira od mjesta do mjesta. Ukoliko se prilikom pranja posuda u mašini upotrebljava tvrda voda, na posudu i priboru će se formirati naslage. Uređaj je opremljen posebnom pregradom za omekšivač i ima posudu za so, što je posebno dizajnirano za eliminisanje kamenca i minerala iz vode.

Pripremanje i raspoređivanje posuđa u mašini

- Razmislite o tome da kupujete posuđe koje se može prati u mašini za pranje posuđa.
- Prilikom pranja određenih predmeta, izaberite program sa najmanjom mogućom temperaturom.
- Kako biste spriječili oštećenja, nemojte vaditi čaše i pribor za jelo iz mašine za pranje posuđa odmah po završetku programa.

Sljedeći tipovi pribora za jelo/posuđa

nisu pogodni za pranje:

- Pribor za jelo sa drvenim, rožanim, porcelanskim ili sedefnim drškama
- Plastični predmeti koji nisu otporni na visoke temperature
- Stariji tipovi pribora za jelo sa zaljepljenim dijelovima koji nisu otporni na visoke temperature
- Ljepljeni pribor za jelo ili posuđe
- Posuđe od legure kalaja i olova ili od bakra
- Kristalne čaše
- Posuđe od čelika podložnog rđanju
- Drveni ovali
- Posuđe od sintetičkih vlakana

su djelimično pogodni za pranje:

- Neke vrste čaša mogu da poslije većeg broja ciklusa pranja izgube sjaj
- Dijelovi od srebra i aluminijuma obično promijene boju tokom pranja
- Ukoliko se često peru u mašini, glazirani elementi mogu da potamne

Preporuke za raspoređivanje posuđa u mašini

Uklonite veće komade preostale hrane. Razmekšajte ostatke zagorele hrane u tavama. Nije neophodno isprati posuđe tekućom vodom. Za najbolji učinak mašine za pranje posuđa, pratite sljedeće smjernice za raspoređivanje posuđa u mašini.

(Karakteristike i izgled korpi i korpi za pribor za jelo mogu se razlikovati od korpi u okviru Vašeg modela.)

Predmete rasporedite u mašini za pranje posuđa na sljedeći način:

- Posuđe poput šolja, čaša, šerpi/tavi itd. postavite u obrnuti položaj.
- Zakrivljeno posuđe i posuđe sa nepristupačnim dijelovima treba postaviti dijagonalno, kako bi voda mogla da se nesmetano sliva.
- Kompletan pribor treba naslagati tako da bude stabilan i da se ne prevrne.
- Kompletan pribor treba postaviti tako da ručice prskalice mogu da se slobodno okreću tokom procesa pranja.
- Šuplje posuđe, poput šolja, čaša, tavi itd., postavite tako da otvor bude okrenut ka dole, kako se voda ne bi sakupljala u posudi ili dubokom dnu.
- Posuđe i pribor za jelo se ne smiju smiještati jedni u druge i zaklanjati jedni druge.
- Kako biste izbjegli oštećenje čaša, povedite računa da se one ne dodiruju.
- Gornja korpa je predviđena za delikatnije i lakše posuđe, poput čaša i šolja za kafu i čaj.
- Noževi dugih sječiva postavljeni u uspravan položaj predstavljaju potencijalnu opasnost!
- Dugi i / ili oštri komadi pribora za jelo, poput noževa za sječenje, moraju se postavljati u gornju korpu, u horizontalnom položaju.

- Nemojte pretjerano opteretiti svoju mašinu za pranje sudova. Postoje dobri razlozi zbog kojih je ovu smjernicu važno ispoštovati, a jedan od razloga je i razumna potrošnja energije

NAPOMENA

Izuzetno male predmete ne treba prati u mašini za pranje posuda, jer mogu lako ispasti iz korpi.

Vađenje posuda

Kako biste spriječili kapanje vode sa gornje na donju korpu, preporučujemo Vam da najprije izvadite sadržaj donje, a onda i gornje korpe

UPOZORENJE!



Posuđe će biti vrelo! Kako ne bi došlo do oštećenja, sačekajte da od završetka programa prođe oko 15 minuta, pa onda izvadite čaše i pribor za jelo iz mašine za pranje posuda.

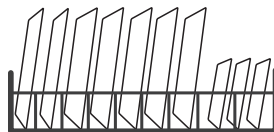
Raspoređivanje posuda u gornju korpu

Gornja korpa je predviđena za delikatnije i lakše posuđe, poput čaša, šolja za kafu i čaj i tacni, kao i tanjira, malih činija i plitkih tavi (ukoliko nisu pretjerano zaprljane). Posuđe i elemente za kuhanje postavite tako da ne može da ih pomjeri mlaz vode.



Raspoređivanje posuda u donju korpu

Predlažemo Vam da u donju korpu rasporedite veliko posuđe, kao i posuđe koje se najteže pere, poput šerpi, tavi, poklopaca, servisnog posuđa i posuda, na način prikazan na slici. Najbolje je da servisno posuđe i poklopce postavite sa strane polica, kako ne biste blokirali okretanje gornje ručice prskalice. Savjetuje se da se ispred posude za deteržent ne stavljaju tanjiri čiji je prečnik veći od 19 cm, da ne bi došlo do njenog blokiranja.



Raspoređivanje posuda u korpu za pribor za jelo

Pribor za jelo treba razvrstati u polici za pribor za jelo, tako da svaki element pribora za jelo stoji zasebno, na za njega predviđenom mjestu. Osim toga, povedite računa da pribor ne bude pregusto grupisan, jer to za rezultat može imati loš učinak mašine.

UPOZORENJE!



Ne dozvolite da dijelovi posuda proviruju kroz dno. Oštar pribor uvijek postavljajte sa oštrim vrhom okrenutim ka dole!

NAPOMENA

Za najbolji efekat pranja, posuđe raspoređujte u korpe u skladu sa standardnim načinima raspoređivanja, navedenim u posljednjem odjeljku DIJELA I: Uopćeno uputstvo

Uloga sredstva za ispiranje i deterdženta

Sredstvo za ispiranje se ispušta tokom posljednjeg ispiranja kako bi spriječilo da se voda na Vašem posudu formira u kapi, koje mogu da ostave kružne i prugaste mrlje. Osim toga, ovo sredstvo poboljšava sušenje jer vodi omogućava da sklizne sa posuda. Predviđeno je da se u Vašoj mašini za pranje posuda upotrebljavaju tečna sredstva za ispiranje.

⚠ UPOZORENJE!

U mašinu za pranje posuda stavljajte samo brendirana sredstva za ispiranje. Nikada ne stavljajte neke druge supstance (npr. sredstvo za čišćenje mašine za pranje posuda, tečni deterdžent) u posudu za sredstvo za ispiranje. Na taj način možete oštetiti uređaj.

Kada je potrebno dopuniti sredstvo za ispiranje

Učestalost potrebe za dopunjavanjem rezervoara zavisi će od učestalosti pranja posuda i od aktiviranog podešavanja za sredstvo za ispiranje.

- Indikator koji ukazuje na nizak nivo sredstva za ispiranje u rezervoaru (☼) uključit će se kada bude potrebno dodati sredstvo za ispiranje.
- Nemojte prepunjavati rezervoar sredstva za ispiranje.

Uloga deterdženta

Hemijski sastojci u deterdžentu su neophodni za skidanje, usitnjavanje i izbacivanje svih vrsta prljavštine iz mašine za pranje posuda. Većina deterdženata komercijalnog kvaliteta odgovara ovoj svrsi.

⚠ UPOZORENJE!

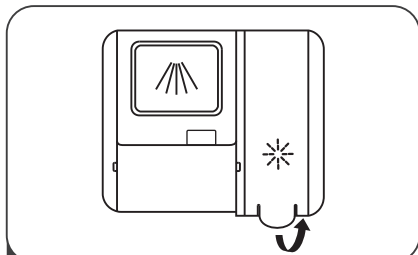
Odgovarajuća upotreba deterdženta

Upotrebljavajte isključivo deterdžente posebno napravljene za mašine za pranje posuda. Čuvajte deterdžente tako da ostanu svjež i suhi. Ne stavljajte praškaste deterdžente u posudu za deterdžent sve dok ne budete spremni da uključite mašinu za pranje posuda.

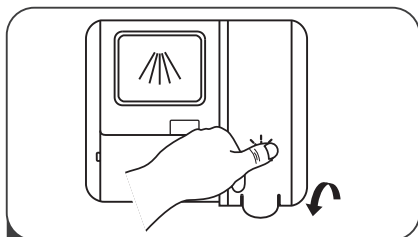


Deterdžent za mašinsko pranje posuda je korozivan!
Držite deterdžent za mašinsko pranje posuda van dohvata djece.

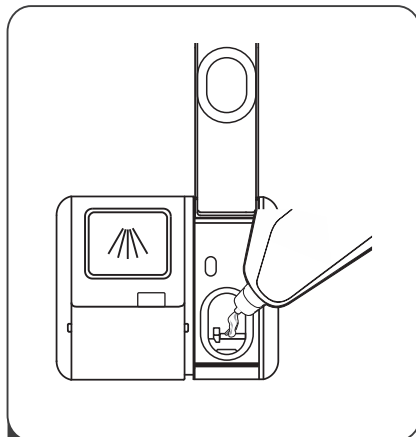
Dopuna sredstva za ispiranje



- 1 Uklonite poklopac rezervoara sredstva za ispiranje tako što ćete podići ručicu.



- 3 Nakon obavljenog postupka, zatvorite poklopac.



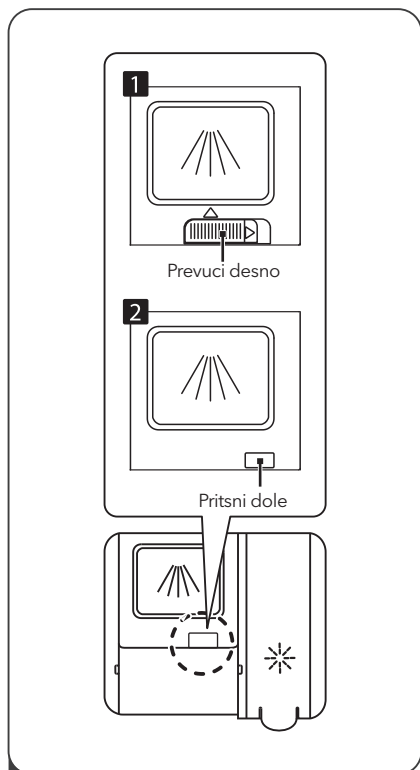
- 2 Sipajte sredstvo za ispiranje u rezervoar, pazeći pritom da ga ne prepunite.

Podešavanje rezervoara sredstva za ispiranje

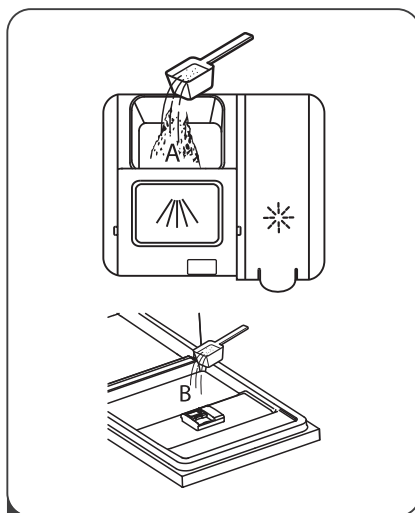
Da bi se postigao bolji učinak prilikom sušenja, a uz ograničenu upotrebu sredstva za ispiranje, mašina za pranje posuda je dizajnirana tako da omogući podešavanje potrošnje zavisno od potreba korisnika. Pratite sljedeće korake.

1. Zatvorite vrata i uključite uređaj.
2. U roku od 60 sekundi nakon što ste obavili korak 1, pritisnite taster za odabir programa i zadržite pritisak duže od 5 sekundi, a zatim pritisnite taster za odloženi start kako biste pristupili opcijama za podešavanje; indikator sredstva za ispiranje će treperiti pri frekvenciji od 1 Hz.
3. Pritisnite taster za odabir programa kako biste odabrali odgovarajuće podešavanje, u skladu sa Vašim navikama pri pranju posuda. Podešavanja će se smjenjivati sljedećim redoslijedom: D1->D2->D3->D4->D5->D1. Što je broj veći, to će biti i veća količina sredstva za ispiranje koju mašina za pranje posuda koristi.
4. Pritisnite taster za uključivanje/isključivanje kako biste kompletirali postupak podešavanja.

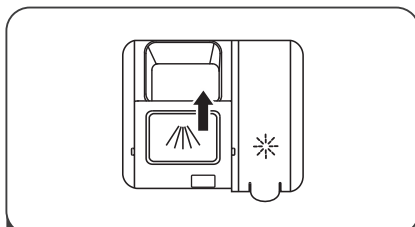
Punjenje posude za deterdžent



- 1 Način otvaranja birajte zavisno od realnog uređaja.
1. Otvorite poklopac tako što ćete kliznim pokretom prevuci rezu za otpuštanje.
 2. Otvorite poklopac pritiskom na rezu za otpuštanje.



- 2 Dodajte deterdžent u veći otvor (A) za glavni ciklus pranja. Za postizanje boljih rezultata prilikom pranja, posebno ukoliko imate izuzetno zaprljano posuđe, sipajte malu količinu deterdženta na vrata. Ova dodatna količina deterdženta će se aktivirati tokom faze pretpranja.



- 3 Zatvorite poklopac tako što ćete ga kliznim pokretom prevuci ka prednjem dijelu, a zatim ga utisnuti.







NAPOMENA

- Imajte u vidu da podešavanja mogu da se razlikuju zavisno od stepena zaprljanosti vode.
- Pridržavajte se preporuka proizvođača navedenih na ambalaži deterdženta.

Tabela ciklusa pranja

U tabeli ispod prikazani su najprikladniji programi prema stepenu ostataka hrane na posudu i potrebnoj količini deterdženta. Osim toga, prikazani su i razni podaci u vezi sa programima. Vrednosti potrošnje i trajanje programa su orijentacione, osim za EKO (Ekološki) program.

● Označava da program koristi sredstvo za ispiranje u posljednjem ciklusu

Program	Opis ciklusa	Deterdžent za pretpranje/ glavno pranje	Vreme trajanja ciklusa (min)	Energija (kWh)	Voda (L)	Sredstvo za ispiranje
 Auto	Pretpranje(50 °C) Pranje(65 °C) Ispiranje Ispiranje(65 °C) Sušenje	$\frac{4/18g}{(1 \text{ ili } 2 \text{ tablete})}$	85-150	0.921- 1.302	10.0-15.0	●
 Intenzivno	Pretpranje(50 °C) Pranje(65 °C) Ispiranje Ispiranje Ispiranje(65 °C) Sušenje	$\frac{4/18g}{(2 \text{ tablete})}$	205	1.579	18.0	●
 Univerzalno	Pretpranje (45 °C) Pranje (55 °C) Ispiranje Ispiranje (65 °C) Sušenje	$\frac{4/18g}{(2 \text{ tablete})}$	175	1.268	13.8	●
ECO (*EN60436)	Pranje(45 °C) Ispiranje Ispiranje(60 °C) Sušenje	$\frac{22g}{(2 \text{ tablete})}$	230	0.951	10.0	●
 Čaše	Pretpranje Pranje (50°C) Ispiranje Ispiranje (65°C) Sušenje	$\frac{4/18g}{(2 \text{ tablete})}$	120	1.094	14.1	●
 90 Min	Pranje (60 °C) Ispiranje Ispiranje (65 °C) Sušenje	$\frac{22g}{(2 \text{ tablete})}$	90	1.079	11.7	●
 Ubrzano	Pranje (50°C) Ispiranje Ispiranje (45°C)	$\frac{20g}{(1 \text{ tableta})}$	30	0.731	11.2	○

NAPOMENA

ECO (*EN 60436)

EKO (Ekološki) program je pogodan za pranje normalno zaprljanog NAPOMENA (*EN 60436) posuda što je (*EN60436) za ovu upotrebu najefikasniji program u smislu kombinovane potrošnje energije i vode i koristi se za procjenu usklađenosti sa zakonodavstvom EU o ekodizajniranju.

Ušteda energije

1. Prethodno ispiranje posuda dovodi do povećane potrošnje vode i energije i ne preporučuje se.
2. Pranje posuda u mašini za pranje posuda u domaćinstvu obično troši manje energije i vode u fazi upotrebe nego ručno pranje kada se mašina za pranje posuda za domaćinstvo koristi u skladu sa uputstvima.

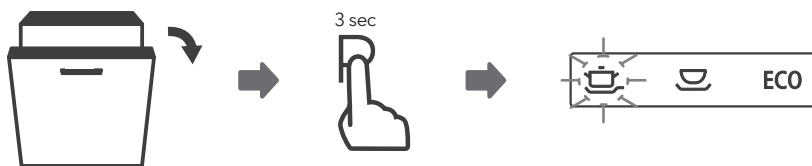
Započinjanje ciklusa pranja

1. Izvucite donju i gornju korpu, rasporedite posude i vratite ih u mašinu. Preporučuje se da najprije rasporedite posude na donjoj, a zatim na gornjoj korpi.
2. Sipajte deterdžent.
3. Priključite utikač u utičnicu. Za podatke o napajanju, pogledajte odeljak "Karakteristike proizvoda" na posljednjoj strani.
4. Zatvorite vrata i pritisnite taster Uključivanje/Isključivanje kako biste uključili mašinu.
5. Izaberite program, nakon čega će se uključiti svjetlo indicacije. Zatim pritisnite taster Početak/Pauziranje i mašina za pranje posuda će započeti svoj ciklus.

Mijenjanje programa u toku započetog ciklusa

Program se može promijeniti samo ako je radio samo kratak period, inače je deterdžent možda već ispušten ili je voda za pranje sa deterdžentom već ispuštena. Ako je to slučaj, mašinu za pranje posuda treba resetovati i dozer deterdženta ponovo napuniti. Da biste resetovali mašinu za pranje posuda, slijedite uputstva u nastavku:

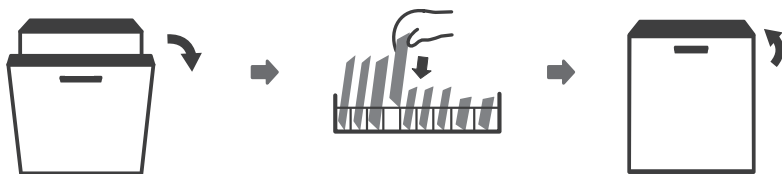
1. Otvorite malo vrata da zaustavite mašinu za pranje posuda, nakon što je prskalica prestala da radi, možete potpuno otvoriti vrata.
2. Pritisnite dugme Program umjesto mene i ovdje za nekoliko sekundi, mašina će biti u režimu za izbor programa.
3. Možete promijeniti program na željenu postavku ciklusa.



Zaboravili ste da dodate posudu?

Posudu koju ste zaboravili da stavite u mašinu možete dodati u bilo kom trenutku prije nego što se otvori posuda za deterdžent. U tom slučaju, pratite sljedeća uputstva:

1. Pritisnite taster Početak/Pauziranje. Mašina za pranje posuda će nakon 10 sekundi početi da radi.
2. Sačekajte 5 sekundi, a zatim otvorite vrata.
3. Dodajte posude koje ste zaboravili da stavite u mašinu.
4. Zatvorite vrata. Mašina za pranje posuda će nakon 10 sekundi početi da radi.



WARNING!



Opasno je otvarati vrata mašine u toku započetog ciklusa, jer možete zadobiti opekotine od vrela pare.

OZNAKE GREŠAKA

U slučaju nepravilnog rada, na mašini za pranje posuđa će biti prikazane oznake grešaka, kojima se identifikuju sljedeći slučajevi:

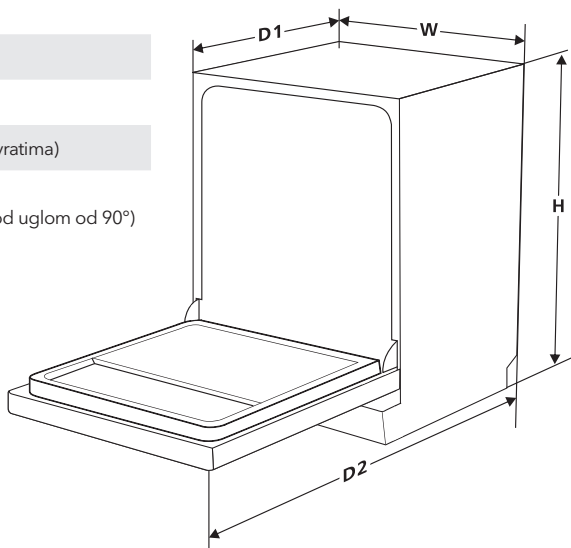
Oznake	Značenje	Mogući razlozi
E1	Produženo vrijeme primanja vode.	Slavine nisu odvrnute ili je ulaz vode blokiran ili je pritisak vode prenizak.
E3	Ne može se dostići zadata temperatura.	Neispravan grijač.
E4	Prijelivanje.	Neki dio mašine za pranje posuđa propušta vodu.
Ed	Prekid komunikacije između glavne štampane ploče i štampane ploče za displej.	Otvoreno kolo ili prekid veza za uspostavljanje komunikacije.

! UPOZORENJE!

- Ukoliko dođe do prelijanja vode, prije nego što pozovete servis, isključite glavni ventil za vodu.
- Ukoliko na dnu mašine ima vode zbog prelijanja ili manjeg propuštanja vode, prije ponovnog pokretanja mašine za pranje posuđa ovu vodu treba ukloniti.
- Ukoliko postoji kod greške koji se ne može riješiti, zatražite stručnu pomoć.

TEHNIČKI PODACI

Visina (H)	815 mm
Širina (W)	598 mm
Dubina (D1)	550 mm (sa zatvorenim vratima)
Dubina (D2)	1175 mm (sa vratima otvorenim pod uglom od 90°)



List sa informacijama o proizvodu

DELEGIRANA UREDBA KOMISIJE (EU) 2019/2017 u smislu navođenja energetske oznake na mašinama za pranje posuđa u domaćinstvu

Naziv ili zaštitni znak dobavljača: TESLA

Adresa dobavljača: Tesla Electronics, Litijska 47, 1000 Ljubljana, SI

Identifikaciona oznaka modela: WDI690M

Opći parametri proizvoda:

Parameter	Vrijednost	Parameter	Vrijednost	
Nominalni kapacitet ^(a) (ps)	14	Dimenzije u cm	Visina	815
			Širina	598
			Dubina	550
Indeks energetske efikasnosti – EEI ^(a)	55,9	Klasa energetske efikasnosti ^(a)	E	
Indeks performansi prilikom čišćenja ^(a)	1,125	Indeks performansi prilikom sušenja ^(a)	1,065	
Potrošnja energije u kWh [po ciklusu], na osnovu eko programa uz upotrebu hladne vode za dopunjavanje. Stvarna potrošnja energije zavisice od načina na koji se uređaj upotrebljava.	0,951	Potrošnja vode u litrima [po ciklusu], na osnovu eko programa. Stvarna potrošnja vode zavisice od načina na koji se uređaj upotrebljava i od tvrdoće vode.	10,0	
Trajanje programa ^(a) (č:min)	3:50	Tip	Ugradni	
Emisija buke u zraku (dB(A) re 1 pW)	44	Klasa emisije buke u zraku	B	
Režim Isključeno (W) (ukoliko je primjenjivo)	0,49	Režim pripravnosti (W) (ukoliko je primjenjivo)	-	
Odloženi početak (W) (ukoliko je primjenjivo)	0,27	Mrežna pripravnost (W) (ukoliko je primjenjivo)	-	

Minimalno trajanje garancije koju daje dobavljač: 24 mjeseca

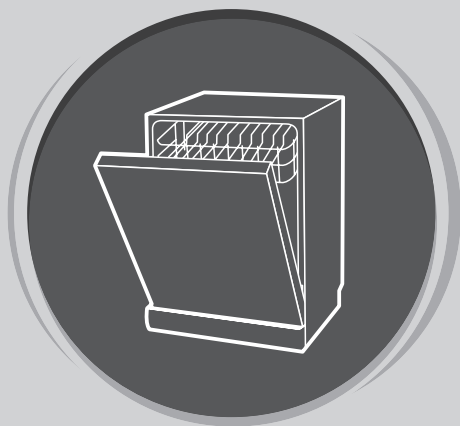
Dodatne informacije:

Link ka veb-sajtu dobavljača gdje se mogu pronaći informacije iz tačke 6 Aneksa II Uredbe Komisije (EU) 2019/2022: [tesla.info](https://www.tesla.info)

Odlaganje



- Za odlaganje ambalaže i samog uređaja, obratite se centru za recikliranje. Isjecite priključni kabl i onesposobite mehanizam za zatvaranje vrata na uređaju.
- Kartonska ambalaža je proizvedena od recikliranog papira i treba je odložiti na mjesto za prikupljanje papirnog otpada radi ponovnog recikliranja.
- Pravilnim odlaganjem ovog proizvoda, pomoć ćete u sprječavanju pojave potencijalno negativnih posljedica po životnu sredinu i zdravlje ljudi, koje bi se inače javile usljed neodgovarajućeg odlaganja ovog proizvoda.
- Za više informacija o recikliranju ovog proizvoda, kontaktirajte lokalno predstavništvo u svom gradu i svoju kompaniju za odlaganje otpada iz domaćinstva.
- **ODLAGANJE: Ne odlažite ovaj proizvod kao nerazvrstan komunalni otpad. Ovakav otpad je neophodno zasebno sabirati radi njegovog posebnog tretiranja.**



СЪДОМИЯЛНА МАШИНА

Ръководство
за потребителя

ЧАСТ I: ОБЩИ УКАЗАНИЯ

Преди да използвате съдомиялната машина,
прочетете внимателно ръководството и го запазете за бъдещи правки.

ИНСТРУКЦИИ ЗА БЕЗОПАСНОСТ



ПРЕДУПРЕЖДЕНИЕ!

Спазвайте следните предпазни мерки, когато използвате съдомиялната машина:

- Монтажът и ремонтът на уреда могат да се извършват само от квалифициран техник
- Този уред е предназначен за битова употреба и за подобни приложения, като например:
 - кухненски помещения за персонала в магазини, офиси и други работни помещения;
 - селскостопански къщи;
 - от клиенти в хотели, мотели и други помещения, предназначени за временно пребиваване;
 - в помещения от типа "стаи за гости"
- Този уред може да се използва от деца на възраст от 8 и повече години и лица с намалени физически, сетивни или психически способности или с недостатъчно опит и познания, ако те са под наблюдение или са инструктирани относно използването на уреда по безопасен начин. Децата не трябва да си играят с уреда.
- Почистването и поддръжката не следва да се извършват от децата без надзор. (За EN60335-1)
- Този уред не е предназначен за употреба от лица (включително деца) с намалени физически, сетивни или умствени способности или липса на опит и познания, освен ако те не са под надзор или не са им били дадени инструкции преди това по отношение на използването на уреда от лице, което да е отговорно за тяхната безопасност (За IEC60335-1)
- Опаковъчните материали могат да бъдат опасни за децата. Този уред е предназначен само за битова употреба на закрито.
- За да предотвратите риска от токов удар, не поставяйте захранващия кабел и щепсела във вода или друга течност. Изключвайте щепсела от контакта преди почистване и извършване на поддръжка на уреда.
- Използвайте навлажнена мека кърпа и разтвор на мек сапун, след което избършете отново със суха кърпа.



Указания за заземяване

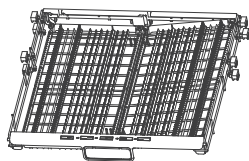
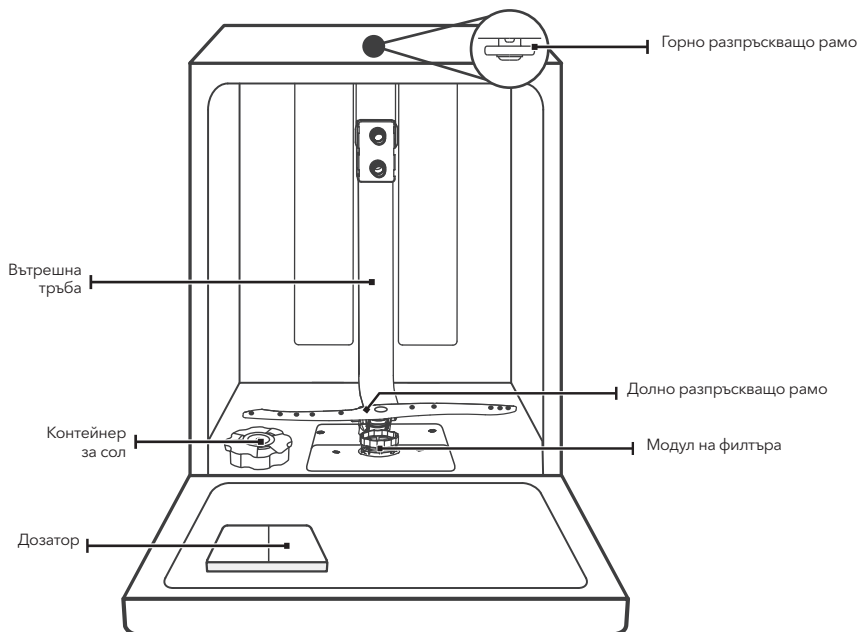
- Този уред трябва да бъде заземен. В случай на неизправност или повреда, заземяването ще намали риска от токов удар, като осигури отвеждане на електрическия ток по пътя на най-малкото съпротивление. Това устройство е оборудвано с щепсел със заземяващ проводник
- Щепселът трябва да бъде включен в подходящ контакт, който е инсталиран и заземен в съответствие с всички местни норми и разпоредби.
- Неправилното свързване на заземяващия проводник може да доведе до риск от токов удар.
- Проверете при квалифициран сервизен представител или електротехник, ако имате съмнения дали уредът е правилно заземен.
- Ако щепселът, предоставена с устройството, не съвпада с контакта, не го променяйте.

- Подходящ електрически контакт трябва да бъде монтиран от квалифициран електротехник.
- Не повреждайте вратата или рафтовете на съдомиялната машина, не сядайте и не стъпвайте върху тях.
- Не пускайте съдомиялната машина, ако всички панели на корпуса не са поставени на мястото си.
- Бъдете много внимателни, когато отваряте вратата на съдомиялната машина, докато тя работи, тъй като има опасност от изпърскване на вода.
- Не поставяйте тежки предмети върху него и не се подпирайте на вратата, когато е отворена. Уредът може да се преобърне.
- При поддръждане на съдове за миене:
 1. Подредете острите предмети така, че да не могат да повредят уплътнението на вратата;
 2. Предупреждение: Ножовете и другите прибори с остри върхове трябва да бъдат подредени в кошницата така, че върховете им да са обърнати надолу или трябва да ги поставите в хоризонтално положение.
- Някои препарати за съдомиялни машини са силно алкални. При поглъщане те могат да бъдат изключително опасни. Избягвайте контакт с кожата и очите и дръжте децата далеч от съдомиялната машина, ако вратата е отворена.
- Проверете дали кутията за препарат за измиване е празна след приключване на цикъла на пране.
- Не мийте пластмасови чинии, освен ако не са обозначени като „dishwasher safe“ (безопасни за съдомиялна машина) или еквивалентен.
- За пластмасови прибори, които не са обозначени, проверете препоръките на производителя.
- Използвайте само почистващи препарати и средства за изплакване, препоръчани за използване в автоматични съдомиялни машини.
- Никога не поставяйте сапун, препарат за пране или препарат за миене на ръце в съдомиялната машина.
- Не оставайте вратата отворена, тъй като това увеличава риска от спъване.
- Ако захранващият кабел е повреден, той трябва да бъде заменен от производителя, негов сервизен агент или от лица с подобна квалификация, за да се избегне опасност.
- По време на монтажа захранващия кабел не трябва да се огъва или притиска прекалено.
- Не манипулирайте бутоните за управление.
- Уредът трябва да бъде свързан към крана на централното водоснабдяване с помощта на нов комплект маркучи. Не използвайте повторно стари комплекти маркучи.
- За да пести енергия, когато е в режим на готовност, уредът ще се изключи автоматично, ако машината не е активна за период от 15 минути.
- Максималният брой настройки за измиване е 14.
- Максимално допустимото налягане на входната вода е 1 MPa.
- Минималното допустимото налягане на входната вода е 0,04 MPa.

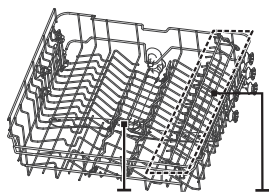
ПРЕГЛЕД НА ПРОДУКТА

! ВАЖНО:

За максимална ефективност на съдомиялната машина, прочетете всички инструкции за експлоатация, преди да я използвате за първи път.

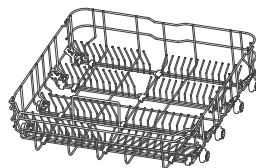


Рафт за прибори



Горно разпръскващо Рафт за чаши рамо

Горна кошница



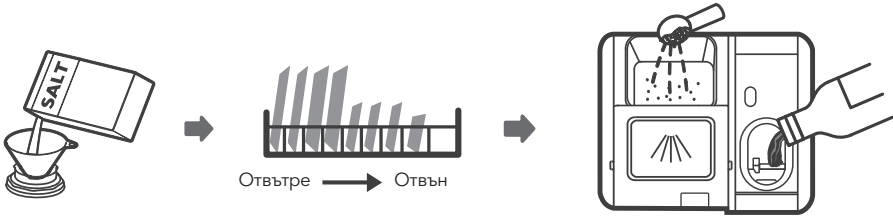
Долна кошница

☰ ЗАБЕЛЕЖКА

Изображенията са предоставени само с илюстративна цел; при различните модели може да са има вариации. Вижте конкретния уред.

ИЗПОЛЗВАНЕ НА СЪДОМИЯЛНАТА МАШИНА

Преди да започнете да използвате вашата съдомиялна машина:



1. Заредете омекотителя на водата
2. Заредете сол в отделението за омекотител
3. Подредете съдовете в кошниците
4. Пълнене на дозатора за почистващ препарат

ЗАБЕЛЕЖКА

Ако трябва да добавяте омекотител за вода, вижте РАЗДЕЛ II: „Омекотител за вода“, който е в ЧАСТ II: Инструкции за конкретни модели.

Зареждане на сол в отделението за омекотител

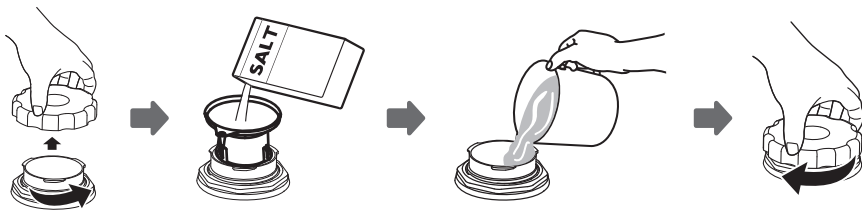
ЗАБЕЛЕЖКА

ко във Вашия модел машина не се използва омекотител за вода, можете да пропуснете този раздел. Винаги използвайте само сол, която е предназначена за съдомиялна машина. Контейнерът за сол се намира под долната кошница и трябва да се пълни, както е обяснено по-долу:

⚠ ПРЕДУПРЕЖДЕНИЕ!

- **Използвайте само сол, специално предназначена за използване в съдомиялни машини!**
Всеки друг вид сол, който не е специално предназначен за използване в съдомиялни машини, особено готварската сол, ще повреди отделението за омекотяване на водата. В случай на повреда, причинена от използването на неподходящ вид сол, производителят не поема никакви гаранции или отговорност за щети, произтичащи от това.
- **Зареждайте със сол само непосредствено преди машината да започне цикъла измиване.**
Това ще предотврати потенциалното разливане на сол или солена вода и оставането им на дъното на машината за определен период от време, което може да причини ръжда.

Следвайте тези стъпки, за да добавите сол за съдомиялна машина:



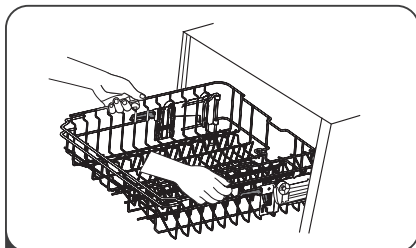
1. Извадете долната кошница и развийте капака на резервоара.
2. Поставете долната част на фунията (доставена с уреда) в отвора и добавете около 1,5 kg сол в съдомиялната машина.
3. Налейте вода в контейнера за сол до ограничението за максимум, нормално е известно количество вода да изтече от контейнера за сол.
4. След като напълните контейнера, поставете отново капака и го завийте добре.
5. След като напълните солта в контейнера за сол, предупредителната лампа за солта ще спре да свети.
6. Някои от програмите за измиване трябва да стартират веднага след поставянето на сол в контейнера за сол (Препоръчваме да използвате някоя от по-кратките програми). В противен случай солената вода може да повреди филтриращата система, помпата или други важни части на машината. В този случай гаранцията няма да се прилага.

ЗАБЕЛЕЖКА

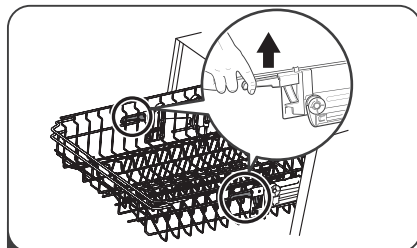
- Контейнерът за сол трябва да се презарежда само когато на контролния панел светне предупредителната лампа за сол (☞). В зависимост от степента на разтворимост на солта, предупредителната лампа за солта може да продължи да свети, въпреки че контейнерът за сол е бил напълнен отново.
- Ако уредът няма предупредителна лампа за сол на контролния панел (при някои модели), можете да прецените кога да поставите сол в омекотителя въз основа на броя цикли на машината.
- Ако са възникнали разливи на сол, включете програмата за наkisване или някоя от по-кратките програми, за да я отстраните.

Съвет за зареждане на кошницата

Регулиране на горната кошница



- 1** За да повдигнете горната кошница, просто хванете горната кошница в центъра на всяка страна и я повдигнете, докато кошницата се фиксира на място в горна позиция. Не е необходимо да повдигате регулиращите дръжки.



- 2** За да спуснете горната кошница, повдигнете регулиращите дръжки от всяка страна, за да позиция.

Сглобяване на рафтовете с шипове

Шипове се използват за задържане на чинии и подноси. Те могат да се свалят, за да се направи повече място за по-големи съдове.

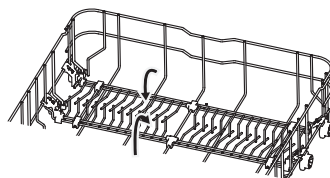
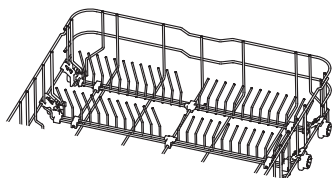


Сглобяване на рафтовете с шипове

Шипове се използват за задържане на чинии и подноси. Те могат да се свалят, за да се направи повече място за по-големи съдове.

Повдигнете нагоре

Сгънете назад



ПОДДРЪЖКА И ПОЧИСТВАНЕ

Поддържане на външния вид на устройството

Врата и уплътнение на вратата

очиствайте редовно уплътненията на вратите с мека, влажна кърпа, за да премахнете остатъците от храна. По време на подреждате съдовете в съдомиялната, остатъците от храна и напитки могат да поленпат от страни на вратата на съдомиялната. Тези повърхности са разположени извън зоната за миене и водата от разпръскащите рамена не може да достигне до тях. Преди да затворите вратата, избършете всички отлагания.

Контролен панел

Ако е необходимо почистване, контролният панел трябва да се избърсва САМО с мека влажна кърпа.

⚠ ПРЕДУПРЕЖДЕНИЕ!

- За да предотвратите проникването на вода в ключалката на вратата и електрическите компоненти, не използвайте никакви почистващи препарати под формата на спрей.
- Никога не използвайте абразивни почистващи препарати или абразивни гъби при почистване на външните повърхности, тъй като това може да надраска покритието. Някои хартиени кърпи също могат да надраскат повърхността или да оставят следи върху по повърхността.

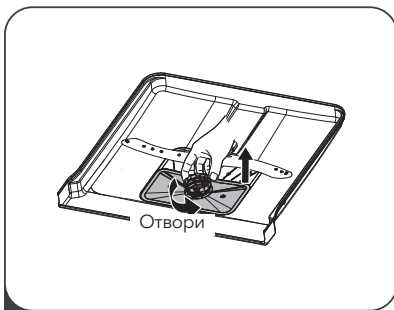
Поддържане на вътрешността на устройството

Поддържане на вътрешността на устройството

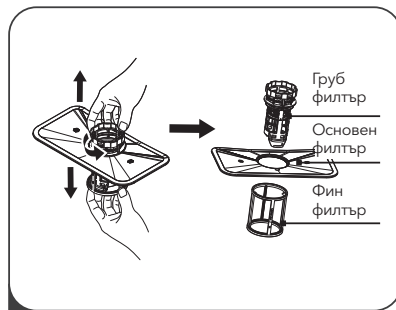
Почиствайте редовно уплътненията на вратите с мека, влажна кърпа, за да премахнете остатъците от храна. По време на подреждате съдовете в съдомиялната, остатъците от храна и напитки могат да поленпат от страни на вратата на съдомиялната. Тези повърхности са разположени извън зоната за миене и водата от разпръскащите рамена не може да достигне до тях. Преди да затворите вратата, избършете всички отлагания.

☰ ЗАБЕЛЕЖКА

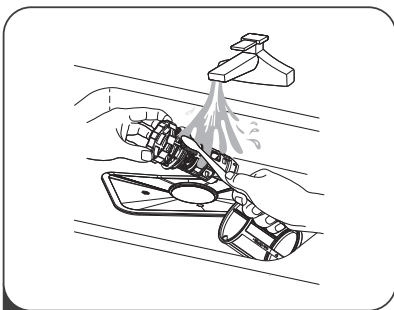
- Изображенията са предоставени само с илюстративна, различните модели на филтриращата система и разпръскащите рамена може да са различни. Вижте конкретния уред.



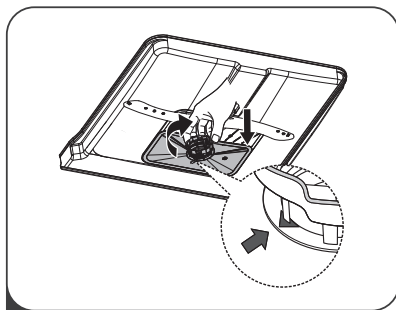
- 1** Хванете филтъра за по-големи отпадъци и го завъртете обратно на часовниковата стрелка, за да го отключите. Повдигнете филтъра нагоре и го извадете от съдомиялната машина.



- 2** Филтърът за фини отпадъци може да се издърпа от долната част на филтърния модул. Грубият филтър може да се отдели от основния филтър чрез леко натискане на зъбчетата отгоре и издърпване навън.



3 По-големите остатъци от храна могат да бъдат почистени чрез изплакване на филтъра под течаща вода. За по-щателно почистване използвайте мека четка за почистване.



4 Сгلوبете отново филтрите в обратния ред на разглобяването, поставете отново филтърната касета и я завъртете по посока на часовниковата стрелка докрай, до стрелката.



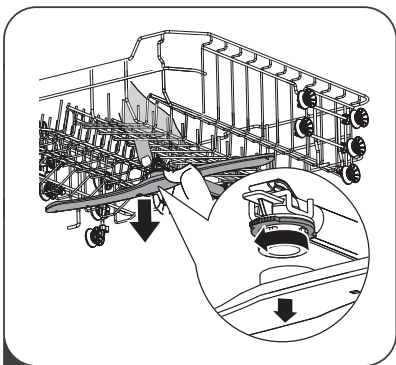
ПРЕДУПРЕЖДЕНИЕ!

- Не затягвайте филтрите прекалено силно. Поставете отново филтрите в посочената последователно и ги закрепете добре, в противен случай по-големи парчета отпадъци могат да попаднат в системата и да причинят блокиране.
- НИКОГА не използвайте съдомиялната машина, ако филтрите не са монтирани правилно. Неправилното поставяне на филтъра може да намали ефективността на уреда и да повреди съдовете и приборите.

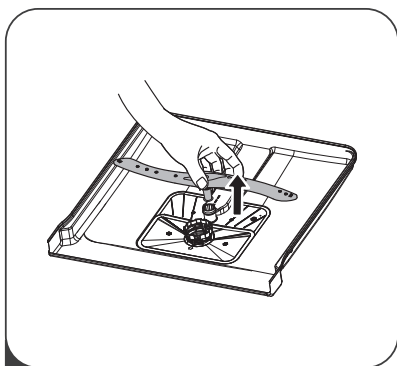
Разпръскващи рамена

Необходимо е редовно да почиствате разпръскващите рамена, защото в противен случай химикалите от твърдата вода ще запушат дюзите и ще блокират лагерите на разпръскващите рамена.

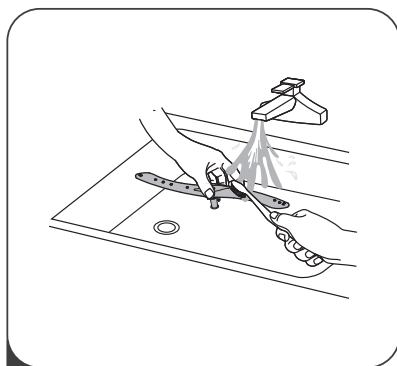
За да почистите разпръскващите рамена, следвайте тези стъпки:



1 За да свалите горното разпръскващо рамо, задръжте гайката в центъра неподвижно и завъртете разпръскващото рамо обратно на часовниковата стрелка.



2 а да свалите долното разпръскващото рамо просто го издърпайте нагоре.



3 Измийте разпръскващите рамена в топла сапунена вода и използвайте мека четка за почистване на дюзите. След като изплакнете обилно, поставете ги обратно в уреда.

Грижи за съдомиялната машина

Предпазни мерки срещу замръзване

През зимата вземете всички мерки, за да предпазите съдомиялната машина от замръзване. След всеки цикъл на измиване, правете следното:

1. Изключете щепсела на съдомиялната машина от контакта.
2. Изключете подаването на вода и извадете маркуча за подаване на вода от крана на централното водоснабдяване.
3. Източете водата от захранващата тръба и от крана на централното водоснабдяване. (Използвайте тава, за да съберете водата)
4. Свържете отново маркуча за подаване на вода към крана на централното водоснабдяване.
5. Извадете филтъра от дъното на зоната за миене и използвайте гъба, за да съберете водата от канала.

След всяко измиване

След всяко измиване изключвайте подаването на вода към уреда и оставайте вратата леко отворена за известно време, за да предотвратите задържането на влага и миризми в уреда.

Изключете щепсела от контакта

Изключвайте уреда от контакта преди всяка работа по почистване или поддръжка.

Не използвайте разтворители или абразивни почистващи препарати

Не използвайте разтворители или абразивни продукти, когато почиствате външните и гумените части на уреда. Използвайте само кърпа, напоена с топла сапунена вода.

Използвайте кърпа, навлажнена с малко оцет или специализиран препарат за съдомиялна машина, за да премахнете петна или замърсявания от вътрешността на уреда.

Когато уредът не се използва продължително време

Препоръчително е да включите празната съдомиялна машина за един цикъл, след това да я изключите от контакта, да изключите подаването на вода и да оставите вратата на уреда леко отворена. Тази процедура ще удължи живота на уплътненията на вратите и ще предотврати създаването на неприятни миризми вътре в уреда.

Транспортиране на уреда

Ако уредът трябва да бъде преместен, опитайте се да го държите във вертикално положение. Само ако наистина е необходимо, поставете устройството на гърба му.

Уплътнения

Един от факторите, които водят до неприятни миризми вътре в съдомиялната машина, е заседнала храна в уплътненията. За да предотвратите това, периодично ги почиствайте с влажна гъба.

ИНСТРУКЦИИ ЗА МОНТАЖ



ПРЕДУПРЕЖДЕНИЕ!



пасност от токов удар

Преди да монтирате съдомиялната машина, изключете електричеството. В противен случай това може да доведе до смърт или токов удар.



ВНИМАНИЕ

Монтажът на маркучите и електрическото оборудване трябва да се извършва от професионалист

Относно свързване към електрозахранване



ПРЕДУПРЕЖДЕНИЕ!

За лична безопасност:

- Не използвайте удължаващи кабели или адаптери за свързване на това устройство към електрическата мрежа.
- При никакви обстоятелства не трябва да прекъсвате или премахвате заземяващата връзка от захранващия кабел.

Изисквания относно електрическото оборудване

Погледнете табелката с данни, за да установите номиналното напрежение, което използва съдомиялната машина, и я свържете към подходящия контакт. Използвайте препоръчания предпазител с необходимото напрежение 10A/13A/16A, предпазител с таймер или прекъсвач и осигурете отделна верига, обслужваща само това устройство.

Електрическо свързване

Уверете се, че напрежението и честотата отговарят на стойностите, посочени на табелката с данни. Включвайте щепсела само в правилно заземен контакт. Ако контактът, към който трябва да свържете уреда, не съответства на щепсела, сменете контакта. Не използвайте адаптери или подобно оборудване, тъй като те могат да прегреят и да причинят изгаряния.

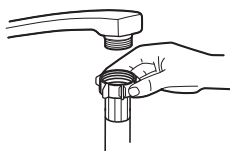
⚠ Преди употреба се уверете, че има подходящо заземяване.

Водоснабдяване и канализация

Свързване към студената вода

Свържете маркуча за подаване на студена вода към конектор с резба 3/4 (цола) и се уверете, че е здраво закрепен.

Ако водопроводните тръби са нови или не са били използвани дълго време, пуснете водата тече известно време, за да проверите дали водата е чиста. Тази предпазна мярка е необходима, за да се избегне рискът от блокиране на входящия воден поток и повреда на устройството.



Обично доводно
црево



Сигурносно доводно
црево

Относно захранващия маркуч с аквастоп

Захранващият маркуч с аквастоп има двойни стени. Системата на този маркуч гарантира, че ще блокира притока на вода в случай на спукване на захранващия маркуч, като пространството между самия захранващ маркуч и външния оребрен маркуч, който е пълен с въздух, се запълни с вода.

⚠ ПРЕДУПРЕЖДЕНИЕ!

Маркуч, свързан към същия кран, на водопровода като съдомиялната машина, може да се спука. Ако имате такъв маркуч, препоръчително е да го свалите и да затворите отвора.

Как да свържете захранващия маркуч с аквастоп

1. Извадете напълно захранващия маркуч с аквастоп от отделението за съхранение в задната част на съдомиялната машина.
2. Затегнете гайките на захранващия маркуч с аквастоп от отделението за съхранение в зад към кран с резба 3/4 инча.
3. Развийте напълно крана на водата, преди да включите съдомиялната машина.

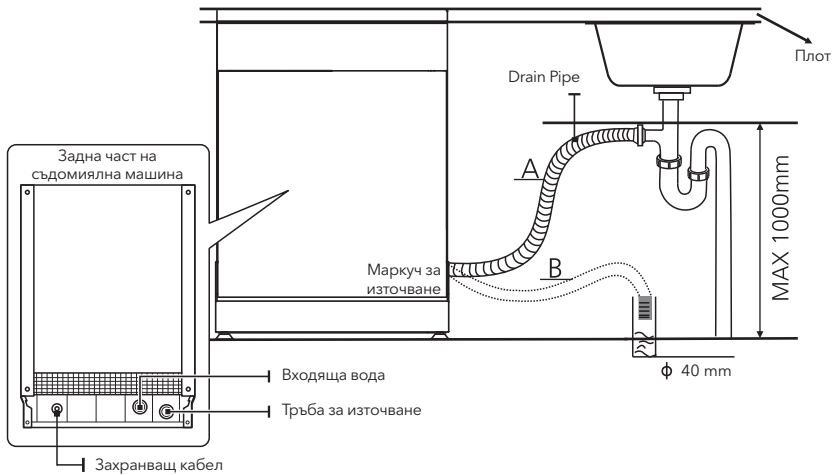
Как да отстраните захранващия маркуч с аквастоп

1. Изключете водоснабдяването.
2. Развийте захранващия маркуч с аквастоп от крана.

Свързване на маркучи за източване

Поставете маркуч за източване в отточна тръба с минимален диаметър 4 cm или го оставете да тече в мивката, като внимавате да не го огъвате или прегъвате. Височината на отточната тръба трябва да бъде по-малка от 1000 mm. Свободният край на маркуча не трябва да бъде потопен във вода, за да се избегне връщането на водата.

⚠ Фиксирайте добре маркуч за източване както в позиция А, така и в позиция В.



Как да източите излишната вода от маркучите

Ако отточната тръба е на височина повече от 1000 mm от пода, излишната вода в маркучите няма да може да се оттича директно в канализацията. Необходимо е да източите излишната вода от маркуча в купа или подходящ съд, който да поставите извън канала и на по-ниско ниво от него.

Изход за вода

Свържете маркуча за източване на водата. Маркучът за източване трябва да бъде правилно свързан, за да се избегне изтичане на вода. Уверете се, че маркучът за източване не е пречупен или притиснат.

Удължаващ маркуч

Ако имате нужда от удължаване на маркуча за източване, уверете се, че е подобен на този, който използвате.

Удължаващия маркуч не трябва да бъде по-дълъг от 4 метра; в противен случай почистващият ефект на съдомиялната може да бъде намален.

Свързване към сифон

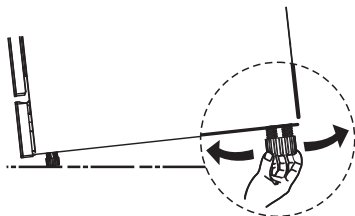
Връзката с канализацията трябва да е на височина по-малка от 1000 mm (максимум) от дъното на съдомиялната машина.

Позициониране на уреда

Поставете уреда на желаното място. Гърбът на уреда трябва да опира в стената зад него, а страните трябва да са подравнени с околните кухненски модули или стени. Съдомиялната машина е оборудвана с маркучи за подаване и източване на вода, които могат да се монтират от дясната или от лявата страна, което улеснява правилния монтаж.

Нивелиране на уреда

Когато уредът е позициониран, можете да промените височината на съдомиялната машина, като регулирате височината на регулиращите крачета. Във всеки случай уредът не трябва да се накланя под ъгъл, по-голям от 2°.



ЗАБЕЛЕЖКА

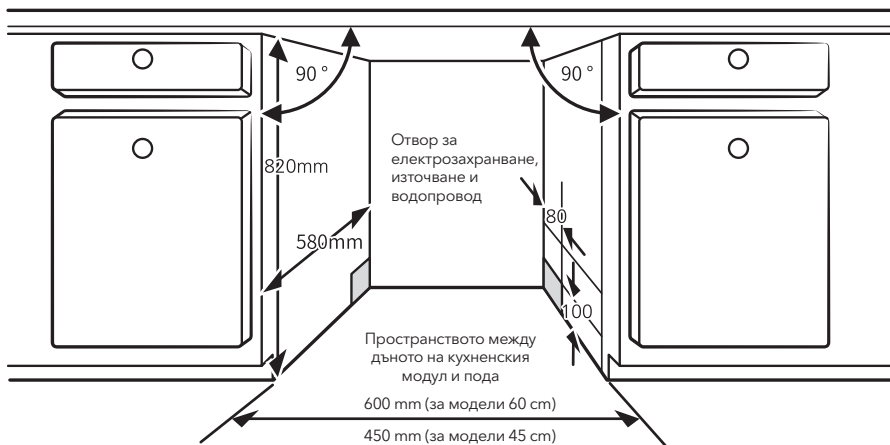
Отнася се изключително за свободностоящи съдомиялни машини.

МОНТАЖ НА ВГРАДЕН УРЕД (ЗА ИНТЕГРИРАН МОДЕЛ)

Стъпка 1. Избор на най-доброто място за съдомиялна машина

Позицията за монтаж на съдомиялната машина трябва да бъде близо до съществуващите маркучи за захранване, източване и електрически контакт. Илюстрация на размерите на кухненските елементи и разположението на съдомиялната машина.

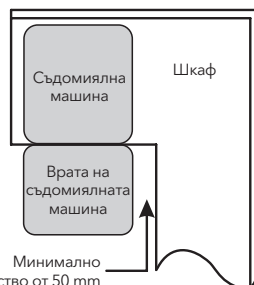
1. По-малко от 5 mm между горната повърхност на съдомиялната машина и кухненския модул, както и външната повърхност на вратата, подравнена с кухненския модул.



2. Ако съдомиялната машина е монтирана в ъгъл спрямо кухненските елементи, трябва да оставите достатъчно място за отваряне на вратата.

ЗАБЕЛЕЖКА

В зависимост от това къде се намира електрическият контакт, може да се наложи да изрежете отвор от противоположната страна на кухненския модул.



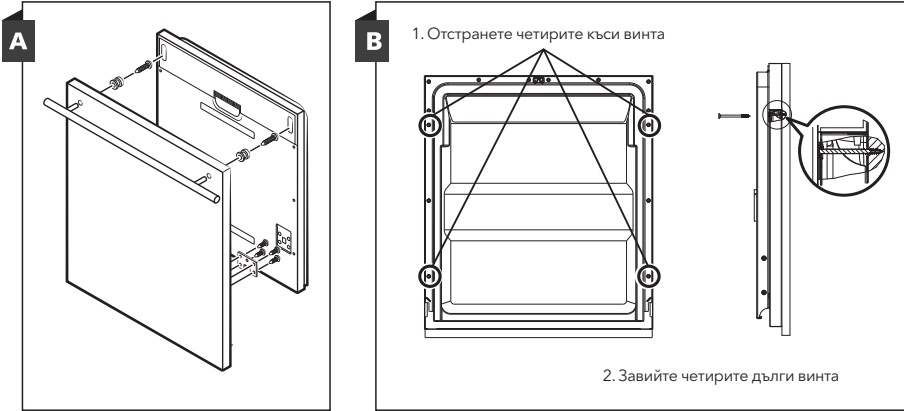
Стъпка 2. Размери и монтаж на декоративния преден панел

ЗАБЕЛЕЖКА

Декоративният дървен панел може да бъде обработен съгласно монтажните чертежи.

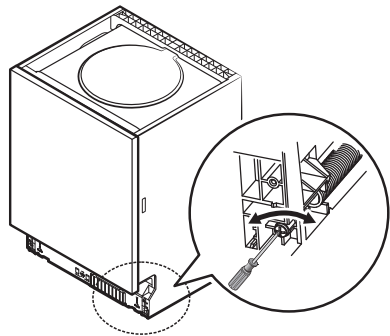
Напълно интегриран модел

Прикрепете скобата към дървения преден панел и я поставете в отвора, разположен от външната страна на вратата на съдомиялната машина (вижте фигура А). След като позиционирате панела, го закрепете към външната страна на вратата с винтове и болтове (вижте фигура В).



Стъпка 3. Регулиране на напрежението на пружината на вратата

1. Напрежението на пружината на външната врата е настроено правилно фабрично. Ако монтирате декоративни дървени предни панели, трябва да регулирате напрежението на пружината на вратата. Завъртете регулиращия винт, за да затегнете допълнително регулатора или да разхлабите стоманения кабел.
2. Опъването на пружината на вратата е настроено правилно, ако вратата остане в хоризонтално положение, когато е напълно отворена и ако се върне в затворено положение чрез повдигане с пръст с минимално усилие

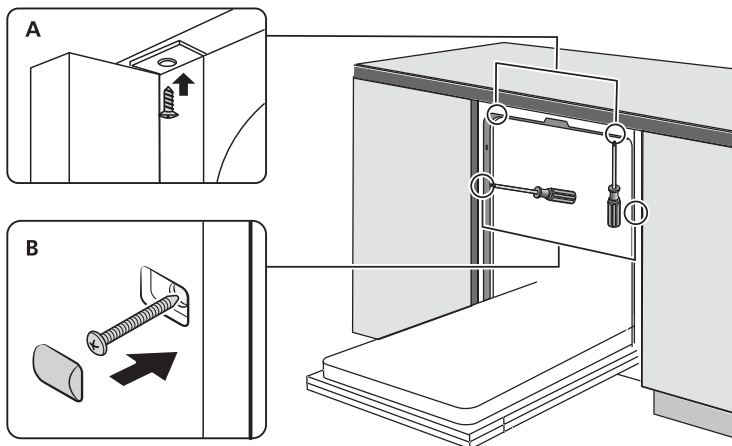


Стъпка 4. Стъпки за монтаж на съдомиялната машина

ЗАБЕЛЕЖКА

Вижте стъпките за монтаж, показани на монтажните чертежи.

1. Прикрепете лентата против конденз от долната страна на плота. Уверете се, че лентата против конденз приляга плътно към ръба на работната повърхност. (Стъпка 2)
2. Свържете входящия маркуч към линията за подаване на студена вода.
3. Свържете маркуча за източване на водата.
4. Свържете хранящия кабел.
5. Поставете съдомиялната машина на място. (Стъпка 4)
6. Нивелирайте съдомиялната машина. Задните крачета могат да се регулират от предната част на съдомиялната машина чрез завъртане на кръстатия винт, разположен в средата на дъното на съдомиялната машина. (Стъпка 5)
7. Поставете декоративната врата от външната страна на вратата на съдомиялната машина. За да регулирате предните крачета, използвайте плоска отвертка и завъртете предните крака, докато изравните съдомиялната машина.
8. Регулирайте напрежението на пружините на вратата с шестостенен ключ, който трябва да се завърти по посока на часовниковата стрелка, затягайки както лявата, така и дясната пружина на вратата. Ако не го направите, може да повредите съдомиялната машина.
9. Съдомиялната машина трябва да е здраво закрепена. Това се прави по два начина:
 - A. Нормален плот: Поставете монтажната скоба в отвора отстрани и я закрепете към работния плот с винтове за дърво.
 - B. Плот от мрамор или гранит: Закрепете с винт отстрани.

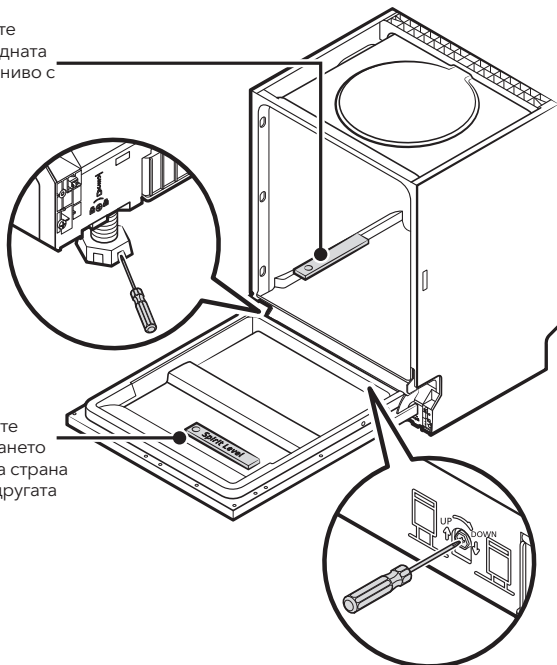


Стъпка 5. Нивелиране на съдомиялната машина.

За правилното използване на рафтовете за съдове и по-добро измиване, съдомиялната машина трябва да бъде нивелирана.

1. Поставете нивелира върху вратата и върху релсата на рафта вътре в зоната за миене, както е показано на снимката, за да проверите дали съдомиялната машина е нивелирана.
2. Нивелирайте съдомиялната машина, като регулирате всяко от трите нивелиращи крачета поотделно.
3. Когато изравнявате съдомиялната машина, се уверете, че няма опасност съдомиялната да се преобърне.

Проверете дали предната част е на ниво с задната



Проверете нивелирането на едната страна спрямо другата

ЗАБЕЛЕЖКА

Максималната височина на регулиране на крака е 50 mm.

СЪВЕТИ ЗА ОТСТРАНЯВАНЕ НА НЕИЗПРАВНОСТИ

Преди да се обадите в сервиза

Прочетете информацията, показана на следващите страници, тъй като това ще Ви помогне да избегнете обаждане в сервиза.

Проблем	Възможна причина	Какво да се направи
Съдомиялната не стартира	Предпазителят е изгорял или прекъсвачът се е задействал.	Сменете предпазителя или нулирайте прекъсвача. Изключете всички уреди, които използват същата верига като съдомиялната машина.
	Захранването е изключено.	Уверете се, че съдомиялната машина е включена и вратата е плътно Уверете се, че захранващият кабел е включен правилно.
	Налягането на водата е ниско.	Проверете дали машината е правилно свързана към водопровода и дали кранът за водата да е пуснат.
	Вратата на съдомиялната не е затворена правилно.	Уверете се, че вратата е правилно затворена и заключена.
Водата не се изпомпва от съдомиялна машина	Маркучът за източване е огънат или притиснат.	Проверете маркуча за източване.
	Филтърът е запушен.	Проверете филтъра за по-големи остатъци от храна.
	Тръбата за източване е запушена.	Проверете тръбата за източване, за да се уверите, че се оттича добре. Ако проблемът е причинен от тръба, която не се източва, вероятно ще имате по-голяма нужда от водопроводчик, отколкото от сервизен техник за съдомиялна машина.
Наличие на пяна във вътрешността на съдомиялната машина.	Неподходящ препарат.	Използвайте само специален препарат за съдомиялна машина, за да избегнете прекомерно разпенване. Ако това се случи, отворете съдомиялната машина и изчакайте пяната да се изпари. Добавете приблизително 4 литра студена вода на дъното на машината. Затворете вратата на съдомиялната машина, след което изберете произволен цикъл. Първоначално съдомиялната машина ще източи водата. Отворете вратата след завършване на етапа на източване и проверете дали пяната е изчезнала. Повторете, ако е необходимо.
	Разлив на препарат за изплакване.	Винаги избърсвайте веднага препарата за изплакване, ако се разлее.
Петна от вътрешната страна на зоната за измиване.	Може да е използван препарат, съдържащ оцветител.	Уверете се, че препаратът не съдържа оцветител.
Бял филм върху вътрешните повърхности на зоната за миене	Отлагания от минерали от твърда вода.	За да почистите вътрешността, използвайте влажна гъба, съдържаща препарат за миене на съдове и носете гумени ръкавици. Никога не използвайте други почистващи препарати, тъй като може да се образува пяна или сапунка.

Проблем	Възможна причина	Какво да се направи
По приборите за хранене се появяват петна от ръжда	Приборите за хранене са изработени от материали, които не са устойчиви на ръжда.	Избягвайте да миете съдове, които не са устойчиви на ръжда, в съдомиялна машина.
	Не сте стартирали машината веднага след добавянето на солта. Следи от сол са останали в цикъла на измиване.	След добавяне на сол винаги включвайте една от програмите за миене без съдове в машината. Не включвайте опцията Turbo (ако машината има такава).
	Капакът на отделението за омекотител не е затворен правилно.	Уверете се, че капакът на отделението за омекотител е плътно затворен.
В съдомиялната машина се чува тропане.	Разпръскващото рамо се удря съд в кошницата	Прекъснете програмата и пренаредете приборите, които блокират разпръскващото рамо.
В съдомиялната машина се чува тракане.	Чупливите съдове в съдомиялната не са подредени така, че да стоят стабилно.	Прекъснете програмата и пренаредете чупливите съдове.
Чува се звук от почукване във водопроводните тръби	Причината за това може да е инсталацията на място или напречното сечение на тръбопровода.	Това по никакъв начин не се отразява на работата на съдомиялната машина. Ако имате съмнения, свържете се с квалифициран водопроводчик.
Съдовете не са чисти	Съдовете не са подредени правилно.	Вижте бележките в „Зареждане и изваждане на съдовете от съдомиялната машина“.
	Програмата не е достатъчно мощна.	Включете по-интензивна програма.
	Не е добавен достатъчно почистващ препарат.	Използвайте повече почистващ препарат или сменете препарата.
	Съдовете блокират движението на разпръскващите рамена.	Пренаредете съдовете, така че разпръскващите рамена да могат да се въртят плавно.
	Филтърният блок е замърсен или не е поставен правилно в долната част на зоната за измиване в машината. По този начин дюзите на разпръскващите рамена могат да бъдат блокирани.	Почистете и/или монтирайте филтъра правилно. Почистете дюзите на дръжките на пръскачката.
Стъклената посуда има мътни петна.	Комбинация от мека вода и твърде много почистващ препарат.	Ако водата, която използвате, е мека, използвайте по-малко препарат и използвайте по-кратки цикли за измиване на стъклените съдове.
По чиниите и чашите се появяват бели петна.	Използването на твърда вода	Проверете настройките на омекотителя за вода или напълнете контейнера за сол.
По чиниите се появяват черни или сиви петна	Съдовете са били в пряк контакт с алуминиевите прибори.	За да премахнете тези петна, използвайте мек абразивен почистващ препарат.

Проблем	Възможна причина	Какво да се направи
Почистващият препарат е останал в дозатора за перилен препарат	Съдовете блокират отвора на дозатора за перилен препарат.	Пренаредете съдовете по подходящ начин.
Съдовете не изсъхват	Съдовете не са подредени както трябва.	Подредете съдовете, както е показано в инструкциите. Използвайте ръкавици, за да избегнете дразнене на кожата, тъй като по съдовете може да са останали остатъци от почистващ препарат.
	Съдовете са били извадени от машината твърде бързо.	Не изваждайте съдовете от съдомиялната веднага след края на цикъла на измиване. Отворете малко вратата, за да изпуснете парата. Извадете съдовете, когато температурата в зоната за миене падне достатъчно, за да можете да докосвате съдовете. Първо извадете съдовете от долната кошница, така че водата от горната да не капе върху долната.
Съдовете не изсъхват	Включили сте грешна програма.	При по-кратки програми температурата на измиване е по-ниска, което намалява ефекта на измиването. Изберете програма, която е с дълъг период на измиване.
	Употреба на прибори за хранене с лошо качество на покритието.	При такива съдове процесът на източване на водата е по-труден. Приборите за хранене или съдовете от този тип не са подходящи за миене в съдомиялна машина.

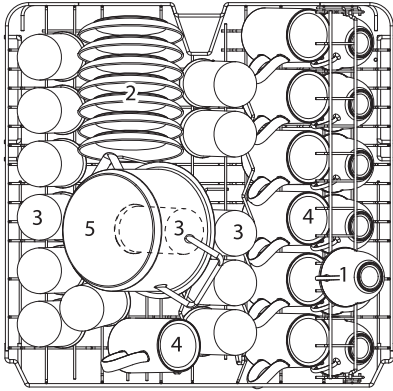

ПРЕДУПРЕЖДЕНИЕ!

Самостоятелният или непрофесионалният ремонт може да доведе до сериозни рискове за безопасността на потребителя, ова може също да промени условията на гаранцията.

ПОДРЕЖДАНЕ НА СЪДОВОТЕ В КОШНИЦИ В СЪОТВЕТСТВИЕ СЪС СТАНДАРТ EN60436

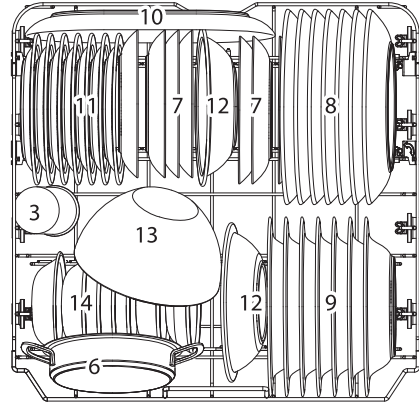
Зареждането на съдомиялната до пълния ѝ капацитет ще допринесе за спестяване на енергия и вода.

1. Горна кошница:



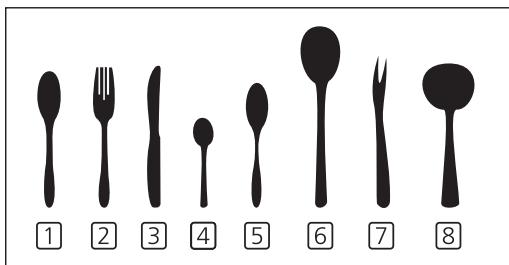
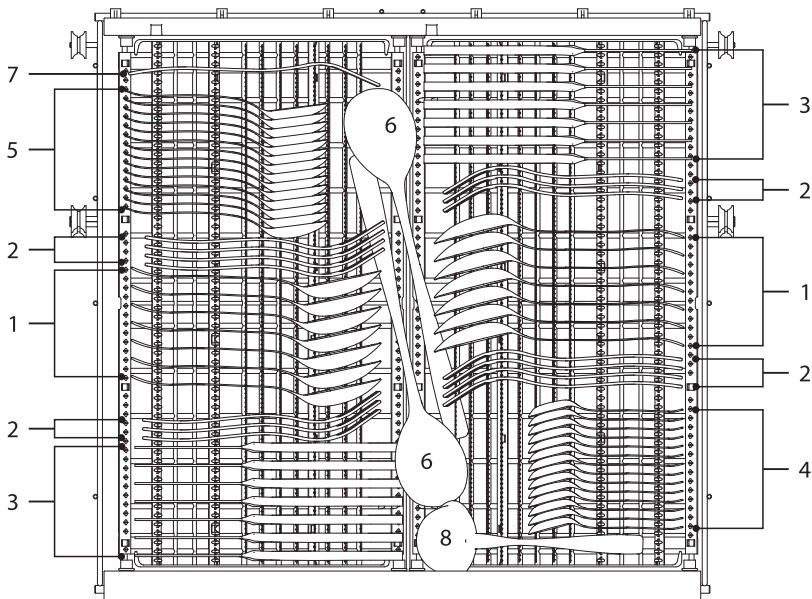
Номер	Вид съд/прибор
1	Чаши
2	Малки чинийки
3	Съклени чаши
4	Халби
5	Малки съдове

2. Долна кошница:



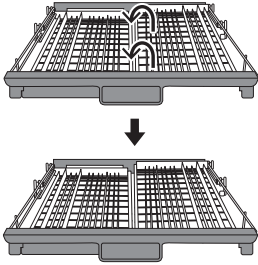
Номер	Вид съд/прибор
3	Съклени чаши
6	Дълбоки тави
7	Десертни чинии
8	Чинии за хранене
9	Чинии за супа
10	Овални плата
11	Меламинови десертни чинии
12	Меламинови купи
13	Съклени купи
14	Десертни купи

3. Рафт за прибори:

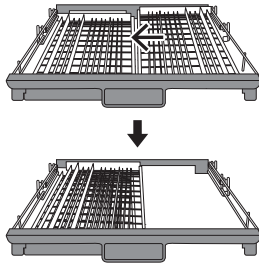


Информация относено сравнителни
изпитания в съответствие със стандарт
EN60436 Вместимост: 14 комплекта
Позиция на горната кошница: долна
позиция Програма: ECO
Настройка на препаратата за
изплакване: МАКСИМУМ Настройка на
омекотителя: Н3

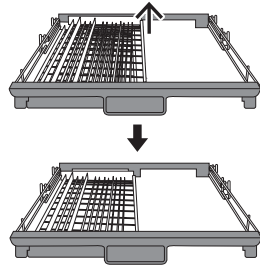
Номер	Вид прибор
1	Супени лъжци
2	Вилци
3	Ножове
4	Чаени лъжички
5	Десертни лъжички
6	Лъжци за сервиране
7	Вилци за сервиране
8	Черпак за сос

Съвети за използване

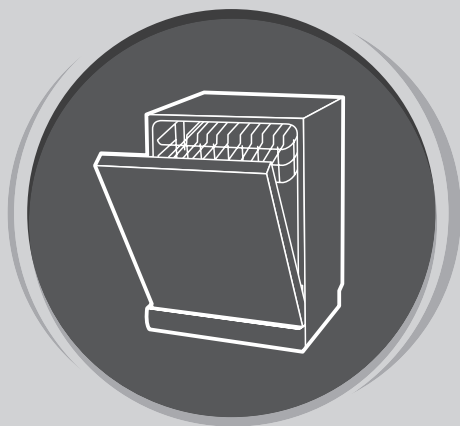
Повдигнете дясната кошница, лявата и дясната кошница стават плоски.



Преместете дясната кошница от дясно наляво, две кошници се припокриват.



Извадете дясната кошница от тавата, остава само лявата кошница.



СЪДОМИЯЛНА МАШИНА

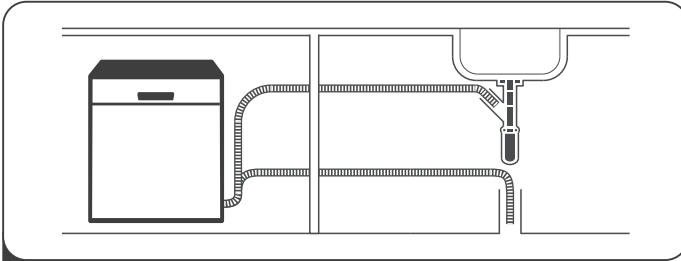
Ръководство
за потребителя

**ЧАСТ II: ИНСТРУКЦИИ
ЗА КОНКРЕТНИ МОДЕЛИ
WDI690M**

Преди да използвате съдомиялната машина,
прочетете внимателно ръководството и го запазете за бъдещи справки.

КРАТКО РЪКОВОДСТВО ЗА УПОТРЕБА

За по-подробна информация как да работите, прочетете съответното съдържание в инструкциите за употреба.

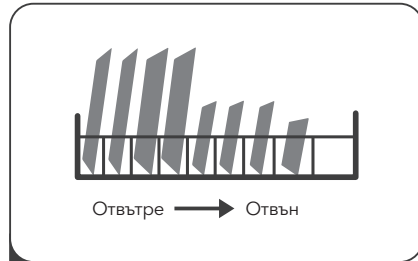


1 Монтирайте съдомиялната машина

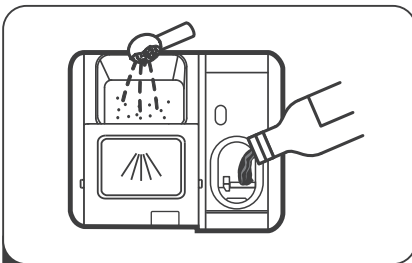
(Вижте раздел 5 "ИНСТРУКЦИИ ЗА МОНТАЖ" в ЧАСТ I: ОБЩИ УКАЗАНИЯ.)



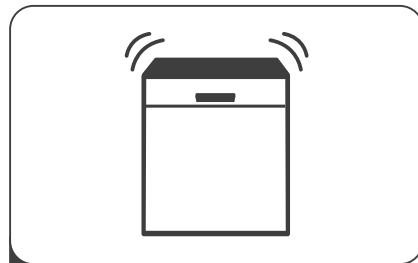
2 Отстранете по-големите остатъци от приборите за хранене



3 Подредете съдовете в кошниците



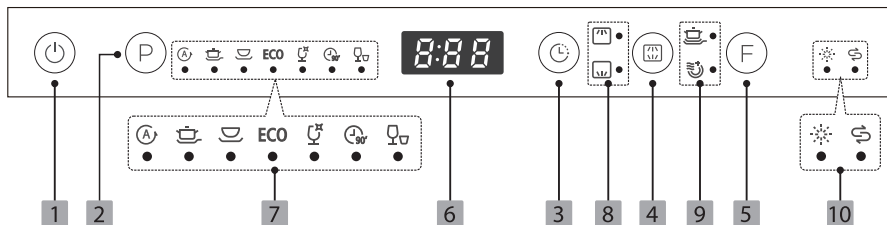
4 Напълнете дозатора за почистващ препарат



5 Изберете програма и стартирайте съдомиялната машина.

ИЗПОЛЗВАНЕ НА СЪДОМИЯЛНАТА МАШИНА

Контролен панел



Експлоатация (Бутон)

- 1** Включване

За да включите вашата съдомиялна машина, натиснете този бутон, след това екранът ще се включи
- 2** Програма

Изберете подходящата програма за измиване, индикаторът за избраната програма ще светне.
- 3** Отлагане

Натиснете този бутон, за да настроите часовете за отложено начало на измиването. Можете да отложите началото на измиването. Всяко натискане на този бутон отлага началото на измиването с един час.
- 4** Промяна

Натиснете бутона, за да изберете заредената горна или долна кошница и съответният индикатор ще светне.
- 5** Функция

Натиснете бутона, за да изберете функция и съответният индикатор ще светне.

Дисплей

- 6** Екран

За показване на оставащото време на избраната програма, време на отлагане, кодове за грешки и др.

- 7** Индикатор на програмата

 - Auto (автоматично)**

Автоматично разпознаване на необходимото измиване, леко, нормално или силно замърсени съдове, със или без изсъхнала храна.
 - Intensive (Интензивна)**

Изключително замърсени съдове, включително тенджери и тигани. Включително засъхнала храна.
 - Universal (Универсална)**






За нормално замърсени съдове, като тенджери, чинии, чаши и леко замърсени тигани.
 - ECO (ЕКО)**

Това е стандартна програма, подходяща е за измиване на нормално замърсени съдове и е най-ефективната програма по отношение на комбинираната консумация на енергия и вода за този тип съдове.
 - Glass (стъклени чаши)**

За леко замърсени съдове и стъклени чаши.
 - 90 Min (90 минути)**

За нормално замърсени съдове, които трябва да се измият бързо.
 - Rapid (бърза)**

По-кратка програма за измиване на леко замърсени съдове, които не се нуждаят от сушене.

8	Индикатор за промяна		Upper (Горен) Когато изберете Upper (Горен), ще се мият само съдовете в горния рафт. Системата за разпръскване на вода на долната кошница няма да работи.
			Lower (долен) Когато изберете Lower (долен), ще се мият само съдовете в долния рафт. Системата за разпръскване на вода на горната кошница няма да работи.
9	Индикатор за функция		Допълнително почистване За измиване на много замърсени, трудни за почистване съдове. (Може да се използва с програмите Intensive, Universal, ECO, Glass и 90 min. (интензивна, универсална, ЕКО, стъкло и 90 мин.))
			Допълнително изсушаване За по-добри резултати при изсушаване. (Може да се използва с програмите Intensive, Universal, ECO, Glass и 90 min. (интензивна, универсална, ЕКО, стъкло и 90 мин.))
10	Индикатор за предупреждение		Препарат за изплакване Ако иконата на индикатора ☀️ свети, в съдомиялната машина няма достатъчно препарат за изплакване и трябва да се допълни.
			Сол Ако иконата на индикатора ⚗️ свети, в съдомиялната машина няма достатъчно сол и трябва да се допълни.

ОМЕКОТИТЕЛ ЗА ВОДА

Омекотителят за вода трябва да се регулира ръчно с помощта на регулатора за твърдост на водата. Омекотителят за вода е предназначен за отстраняване на минерали и соли от водата, които иначе биха имали вредно или неблагоприятно въздействие върху работата на уреда. Колкото по-високо е минералното съдържание във водата, която използвате, толкова по-твърда е тя. Количеството омекотител трябва да се регулира според твърдостта на водата в района, в който живеете. Можете да получите информация за твърдостта на водата в района, в който живеете, от местното Вик дружество.

Регулиране на потреблението на сол

Съдомиялната машина е проектирана да регулира количеството използваната сол в зависимост от твърдостта на използваната вода. Целта е да се оптимизира нивото на консумация на сол и да се адаптира към всеки отделен случай.

За да регулирате консумацията на сол, следвайте стъпките по-долу.

1. Включете уреда;
2. Натиснете бутона Program за повече от 5 секунди, за да стартирате настройката за омекотяване на водата в рамките на 60 секунди след включване на уреда;
3. Натиснете бутона Program, за да изберете правилната настройка според Вашата локална среда, настройките ще се променят в следната последователност: H1->H2->H3->H4->H5->H6;
4. Натиснете бутона за захранване, за да прекратите модела за настройка.

ТВЪРДОСТ НА ВОДАТА				Ниво на омекнувач на вода	Регенерирането се извършва след всяка последователност от X програми ¹⁾	Потребление на сол (грам/цикъл)
Немски dH *	Френски fH **	Британски / Кларко ***	Mmol/l			
0 - 5	0 - 9	0 - 6	0 - 0.94	H1	Без регенериране	0
6 - 11	10 - 20	7 - 14	1.0 - 2.0	H2	10	9
12 - 17	21 - 30	15 - 21	2.1 - 3.0	H3	5	12
18 - 22	31 - 40	22 - 28	3.1 - 4.0	H4	3	20
23 - 34	41 - 60	29 - 42	4.1 - 6.0	H5	2	30
35 - 55	61 - 98	43 - 69	6.1 - 9.8	H6	1	60

$1^{\circ}\text{dH}=1.25$ $^{\circ}\text{fN}=0.178\text{mmol/l}$ $^{\circ}\text{Clarke}=1.78$

Фабрична настройка НЗ За информация относно твърдостта на водата, която използвате, свържете се с местното ВиК дружество.

¹⁾ Всеки цикъл с опция за регенерация консумира допълнително 2l вода, консумацията на енергия се увеличава с 0,02 kWh, а програмата се удължава с 4 минути.



ЗАБЕЛЕЖКА

Ако няма достатъчно сол в съдомиялната машина, вижте раздел 3 „Зареждане на сол в отделението за омекотител“ на ЧАСТ I: Общи указания.



ЗАБЕЛЕЖКА

Ако във Вашия модел машина не се използва омекотител за вода, можете да пропуснете този раздел.

Омекотител за вода

Твърдостта на водата е различна в различните места. Ако в машината се използва твърда вода, върху съдовете и приборите ще се образуват отлагания.

Уредът е снабден със специално отделение за омекотител и има контейнер за сол, който е специално проектиран за отстраняване на варовик и минерали от водата.

Подготовка и подреждане на съдовете в машината

- Помислете за закупуване на посуда, подходяща за миене в съдомиялна машина.
- За конкретни съдове, изберете програма с възможно най-ниската температура.
- За да предотвратите повреда, не изваждайте стъклените чаши и приборите за хранене от съдомиялната машина веднага след края на програмата.

Следните видове прибори за хранене не са подходящи за

Миене в съдомиялната машина:

- Прибори за хранене с дървени, рогови, порцеланови или седефени дръжки
- Пластмасови предмети, които не са устойчиви на високи температури
- По-стари видове прибори за хранене със залепени части, които не са устойчиви на високи температури
- Слепенни прибори за хранене или съдове
- Съдове от сплав калай и олово или от мед
- Кристални чаши
- Стоманена посуда, подлежаща на ръжда
- Дървени подноси
- Изделия, изработени от синтетични влакна

Следните са частично подходящи за измиване:

- Някои видове стъклени чаши може да загубят блясъка си след няколко цикъла на измиване
- Сребърните и алуминиевите части обикновено променят цвета си по време на измиване
- Ако се мият често в машината, гланцираните елементи могат да помътнеят

Препоръки за подреждане на съдовете в машината

Отстранете по-големите парчета от остатъците от храна. Омекотете остатъците от загоряла храна в тиганите. Не е необходимо съдовете да се изплакват с течаща вода.

За най-добра работа на съдомиялната машина следвайте следните указания за подреждане на съдовете в машината. (Характеристиките и външният вид на кошовете за съдове и кошниците за прибори може да се различават от кошниците във вашия модел.)

Подредете съдовете в съдомиялната машина, както следва:

- Съдове като керамични чаши, стъклени чаши, тенджери/тигани и др. трябва да гледат надолу.
- Извитите съдове и съдовете с недостъпни вдълбнатини трябва да се поставят диагонално, за да може водата да тече свободно.
- Всички съдове трябва да бъдат подредени така, че да са стабилни и да не се преобръщат.
- Всички съдове трябва да бъдат поставени така, че разпръскващите рамена да могат да се въртят свободно по време на процеса на измиване.
- Поставете кухи съдове, като керамични чаши, стъклени чаши, тигани и др., с отвора надолу, за да не се събира вода в купата или дълбокото дъно.
- Съдовете и приборите не трябва да се поставят един в друг и да се закриват един друг. За да избегнете повреда на стъклените чаши, уверете се, че не се допират.

- Горната кошница е предназначена за по-деликатни и по-леки съдове, като стъклени чаши и чаши за кафе и чай.
- Дългите ножове, поставени в изправено положение, представляват потенциална опасност!
- Дълги и/или остри прибори, като режещи ножове, трябва да се поставят в горната кошница, в хоризонтално положение.
- Не претоварвайте съдомиялната си машина. Това е важно за постигане на добри резултати и разумна консумация на енергия



ЗАБЕЛЕЖКА

Много дребни предмети не трябва да се мият в съдомиялна машина, тъй като лесно могат да изпаднат от коша.

Отстраняване на съдовете

За да предотвратите капенето на вода от горната към долната кошница, препоръчваме първо да извадите съдържанието на долната, а след това и на горната кошница.



ПРЕДУПРЕЖДЕНИЕ!



Съдовете ще са горещи! За да предотвратите повреда, изчакайте около 15 минути след края на програмата, след което извадете чашите и приборите за хранене от съдомиялната машина.

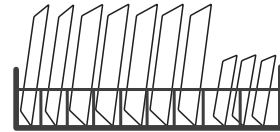
Подреждане на съдовете в горната кошница

Горната кошница е предназначена за по-деликатни и по-леки съдове, като стъклени чаши и чаши за кафе и чай и подноси, както и чинии, малки купички и плиткитигани (освен ако не са прекалено замърсени). Поставете приборите и съдовете за готвене така, че да не могат да бъдат преместени от водната струя.



Подреждане на съдовете в долната кошница

Предлагаме Ви да поставите големите съдове в долната кошница, както и съдовете, които се мият най-трудно, като тенджери, тигани, капаци, чинии за сервиране и купи, по начина, показан на снимката. Най-добре е да поставите чиниите за сервиране и капачите от страни на рафта, за да не блокирате въртенето на горното разпръскващо рамо. Препоръчително е да не поставяте чинии с диаметър по-голям от 19 cm пред контейнера за почистващ препарат, за да избегнете блокирането му.



Подреждане в кошницата за прибори

Приборите за хранене трябва да се поставят в кошницата за прибори отделно един от друг в подходящите позиции и се уверете, че приборите не се "слепват" заедно, това може да доведе до лошо измиване.



ПРЕДУПРЕЖДЕНИЕ!



Не допускате части от съда да опират до дъното. Винаги поставяйте острието на острия връх



ЗАБЕЛЕЖКА

За най-добър ефект на измиване подредете съдовете в кошниците според стандартните методи за подреждане, изброени в последния раздел на ЧАСТ I: Общи указания.

Ролята на препаратите за изплакване и почистващия препарат

Препаратът за изплакване се освобождава по време на последното изплакване, за да се предотврати задържането на капчици вода върху съдовете, които могат да оставят петна и ивици. Освен това подобрява изсушаването, като позволява на водата да се плъзга по съдовете. Вашата съдомиялна машина е проектирана да използва течни препарати за изплакване.



ПРЕДУПРЕЖДЕНИЕ!

Използвайте само маркови препарати за изплакване за съдомиялна машина. Никога не поставяйте други вещества (напр. почистващ препарат за съдомиялна машина, течен препарат за миене) в дозатора за препарат за изплакване. Това може да повреди устройството.

Кога е необходимо да напълните дозатора за препарат за изплакване

- Регулярността от необходимост за презареждане на дозатора зависи от това колко често се мият съдовете и използваната настройка на препаратите за изплакване.
- Индикаторът за ниско ниво на препарат за изплакване (☼) ще светне, когато е необходимо да се допълни препарат за изплакване.
- Не препълвайте дозатора за препарат за изплакване.

Ролята на почистващия препарат

Химическите съставки в препаратите са необходими за отстраняване, смилане и отстраняване на всички видове замърсявания в съдомиялната машина. Повечето търговски качествени почистващи препарати са подходящи за тази цел.



ПРЕДУПРЕЖДЕНИЕ!

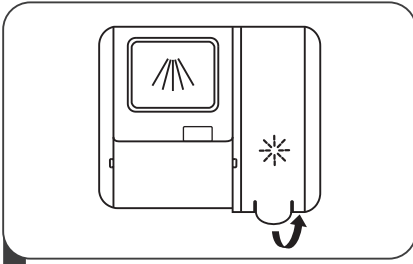
Правилна употреба на почистващ препарат

Използвайте само почистващи препарати, специално предназначени за съдомиялни машини. Съхранявайте почистващите препарати, така че да останат свежи и сухи.

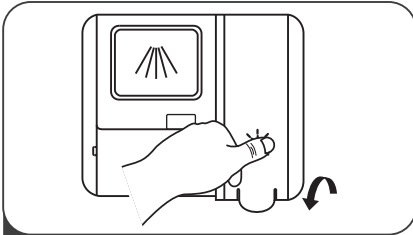


Препаратът за съдомиялна машина е корозивен! Съхранявайте препаратите за миене на съдове на място, недостъпно за деца.

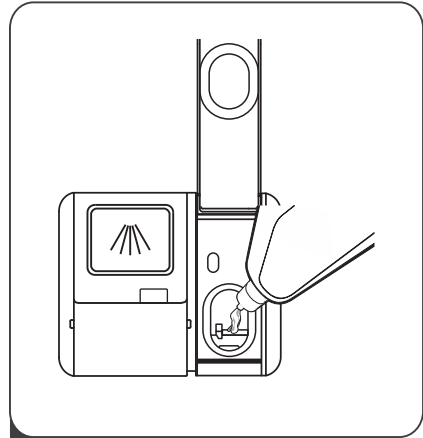
Пълнене на резервоара за препарат за изплакване



1 Свалете капака на дозатора за препарат за изплакване, като повдигнете дръжката.



3 След като приключите, затворете капачката.



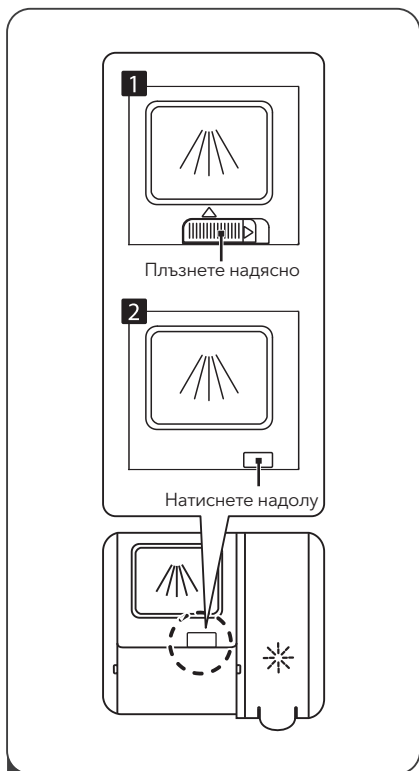
2 Изсипете препарата за изплакване в дозатора, като внимавате да не го препълните.

Регулиране на дозатора за препарат за изплакване

За да се постигне по-добро сушене с с по-малко количество препарат за изплакване, съдомиялната машина е проектирана така, че консумацията да бъде регулирана от потребителя. Следвайте стъпките по-долу.

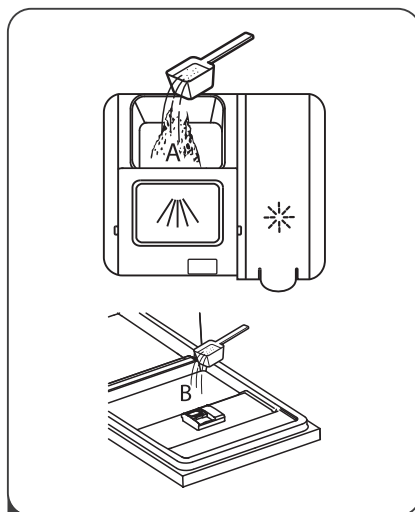
1. Затворете вратата и включете уреда.
2. В рамките на 60 секунди след стъпка 1, натиснете бутона Program (Програма) за повече от 5 секунди и след това натиснете бутона за отлагане, за да влезете в зададения модел, индикацията за препарата за изплакване мига с честота 1Hz.
3. Натиснете бутона Program, за да изберете правилната настройка според Вашите навици на използване, настройките ще се променят в следната последователност: D1->D2->D3->D4->D5->D1. Колкото по-голямо е числото, толкова повече препарат за изплакване ще използва съдомиялната машина.
4. Натиснете бутона за захранване, за да прекратите модела за настройка.

Регулиране на дозатора за препарат за изплакване

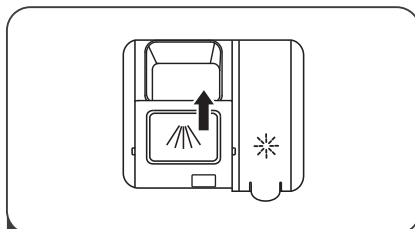


1 Изберете начин на отваряне в зависимост от действителната ситуация.

1. Отворете капачката, като плъзнете механизма за освобождаване.
2. Отворете капачката, като натиснете надолу механизма за освобождаване.



В по-голямото отделение (A) добавете перилен препарат, който ще използвате по време на основния цикъл на измиване. За по-добър резултат от почистването, особено ако имате много замърсени съдове, изсипете малко количество препарат във вратата. Допълнителният препарат ще се активира по време на фазата на предварително измиване.



Затворете капака, като го плъзнете напред и след това го натиснете надолу.







ЗАБЕЛЕЖКА

- Имайте предвид, че настройките може да се различават в зависимост от степента на замърсяване на водата.
- Следвайте препоръките на производителя върху опаковката на почистващия препарат.

Таблица с програми за измиване

Таблицата по-долу показва най-подходящите програми според степента на остатъци от храна по съдовете и необходимото количество почистващ препарат. Освен това са представени различни данни, свързани с програмите. Стойностите на консумация и продължителността на програмата са ориентировъчни, с изключение на програмата ECO.

● Показва, че в последния цикъл програмата използва препарат за изплакване.

Програма	Описание на цикъла	Измивач препарат	Време на работа (мин)	Енергия (Kwh)	Вода (L)	Препарат за изплакване
 Auto	Предварително измиване (45°C)	4/18g (1 or 2 tabs)	85-150	0.921-1.302	10.0-15.0	●
	Автоматично измиване (55-65°C)					
	Изплакване					
	Автоматично изплакване (60-65°C)					
 Intensive	Предварително измиване(50 °C)	4/18g (2 tabs)	205	1.579	18.0	●
	Измиване (65 °C)					
	Изплакване					
	Изплакване (65 °C)					
 Universal	Предварително измиване(45 °C)	4/18g (2 tabs)	175	1.268	13.8	●
	Измиване (55 °C)					
	Изплакване					
	Изплакване (65 °C)					
ECO (*EN60436)	Измиване (45 °C)	22g (2 tabs)	230	0.951	10.0	●
	Изплакване					
	Изплакване(60 °C)					
	Изушаване					
 Glass	Предварително измиване	4/18g (2 tabs)	120	1.094	14.1	●
	Измиване (50 °C)					
	Изплакване					
	Изплакване(65 °C)					
 90 Min	Измиване (60 °C)	22g (2 tabs)	90	1.079	11.7	●
	Изплакване					
	Изплакване (65 °C)					
	Изушаване					
 Rapid	Измиване (50 °C)	20g (1 tab)	30	0.731	11.2	○
	Изплакване					
	Изплакване (45 °C)					

ЗАБЕЛЕЖКА

ECO (*EN 60436)

Програмата ECO (Екологична) е подходяща за миене на нормално замърсени съдове, което я прави най-ефективната програма за тази употреба по отношение на комбинираното потребление на енергия и вода и се използва за оценка на съответствието със законодателството на ЕС за екодизайн.

Икономия на енергия

1. Предварителното изплакване на съдовете води до повишена консумация на вода и енергия и не се препоръчва.
2. При измиването на съдове в домакинска съдомиялна обикновено се консумира по-малко енергия и вода, отколкото при ръчното измиване на съдове, когато домакинската съдомиялна машина се използва в съответствие с инструкциите.

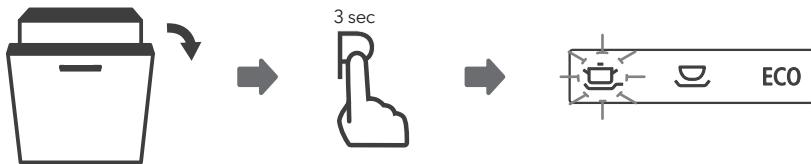
Стартиране на програма

1. Издърпайте долната и горната кошница, подредете съдовете и ги върнете в машината. Препоръчително е съдовете да се подреждат първо в долната кошница, а след това в горната кошница.
2. Изсипете препаратата.
3. Включете щепсела в контакта. За информация за захранването вижте раздела „Характеристики на уреда“ на последната страница. Уверете се, че водоснабдяването е с оптимално налягане.
4. Затворете вратата и натиснете бутона за включване/изключване, за да включите машината.
5. Изберете програмата, след което светлинният индикатор ще светне. След това натиснете бутона Старт/Пауза и съдомиялната ще започне своя цикъл.

Промяна на програмата по време на стартиран цикъл

Текущият цикъл на пране може да бъде променен само ако не е минало много време от стартирането на машината, в противен случай машината може вече да е изпуснала почистващия препарат към цикъла на пране и да е източила сапунената вода. В този случай машината трябва да се нулира и дозаторът за почистващ препарат да се напълни отново. За да настроите отново съдомиялната си машина, следвайте инструкциите по-долу:

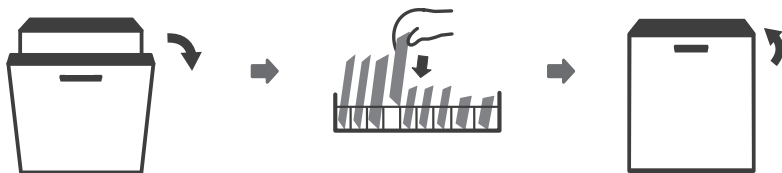
1. Отворете малко вратата, за да спрете съдомиялната машина, след като разпръскващите рамена спрат да се въртят, можете да отворите вратата напълно.
2. Натиснете бутона за програма за повече от три секунди, машината ще влезе в режим на избор на програма.
3. Можете да промените програмата с желаната настройка на цикъла.



Забравете да добавите чиния?

Забравена чиния може да се добави по всяко време, преди да се отвори дозатора за почистващ препарат. В този случай следвайте тези инструкции:

1. Отворете леко вратата, за да спрете измиването.
2. След като разпръскващите рамена спрат да работят, можете да отворите изцяло вратата.
3. Добавете забравените съдове.
4. Затворете вратата, съдомиялната ще продължи да работи след 10 секунди.



⚠ ПРЕДУПРЕЖДЕНИЕ!



Опасно е да отваряте вратата на машината по време на стартиран цикъл, защото можете да получите изгаряния от гореща пара.

КОДОВЕ НА ГРЕШКИ

If there is a malfunction, the dishwasher will display error codes to identify these:

Кодове	Значение	Възможни причини
E1	Удължено време за пълнене с вода.	Крановете не са отвинтени или входът за вода е блокиран или налягането на водата е твърде ниско.
E3	Зададената температура не може да бъде достигната	Неизправност на нагревателния елемент.
E4	Препълване.	Част от съдомиялната машина пропуска вода.
Ed	Прекъсване на комуникацията между основната печатна платка и печатната платка за дисплея.	Отворена верига или прекъсване на кабелите за комуникация.

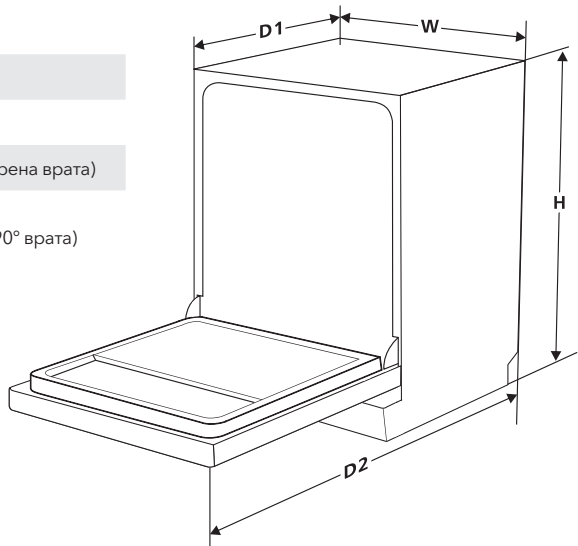


ПРЕДУПРЕЖДЕНИЕ!

- Ако възникне преливане, изключете основното водоснабдяване, преди да се обадите на сервис.
- Ако има вода на дъното на машината поради преливане или незначително изтичане на вода, тази вода трябва да се отстрани преди рестартиране на съдомиялната машина.
- Ако има код за грешка, който не може да бъде отстранен, потърсете професионална помощ.

ТЕХНИЧЕСКА ИНФОРМАЦИЯ

Височина (H)	815mm
Ширина (W)	598mm
Дълбочина (D1)	550mm (при затворена врата)
Дълбочина (D2)	1175 mm (при отворена на 90° врата)



Продуктов информационен лист

ДЕЛЕГИРАН РЕГЛАМЕНТ (ЕС) 2019/2017 НА КОМИСИЯТА по отношение на енергийното етикетирание на домакински съдомиялни машини

Име или търговска марка на доставчика: Tesla

Адрес на доставчика: Tesla Electronics, Litijska 47, 1000 Ljubljana, SI

Идентификатор на модела: WDI690M

Общи параметри на продукта:

Параметър	Стойност	Параметър	Стойност	
			Височина	815
Номинален капацитет ^{a)} (ps)	14	Размери в cm	Ширина	598
			Дълбочина	550
ИЕЕ ^{a)}	55,9	Клас на енергийна ефективност ^{a)}	E	
Индекс на резултатността на почистване ^{a)}	1,125	Индекс на резултатността на изсушаване ^{a)}	1,065	
Консумация на енергия в kWh [на цикъл] на базата на програмата „еко“ при използване на студена вода. Реалната консумация на енергия ще зависи от начина, по който се използва уредът.	0,951	Консумация на вода в литри [на цикъл] на базата на програмата „еко“. Реалната консумация на вода ще зависи от начина, по който се използва уредът и от твърдостта на водата.	10,0	
Времетраене на програмата ^{a)} (ч:мин)	3:50	Тип	За вграждане	
Излъчван въздушен шум ^{a)} (dB(A) при нулево ниво 1 pW)	44	Клас по излъчван въздушен шум ^{a)}	B	
Режим „изключено“ (W) (ако се прилага)	0,49	Режим на готовност (W) (ако се прилага)	-	
Режим на отложен старт (W) (ако е приложимо)	0,27	Мрежови режим на готовност (W) (ако е приложимо)	-	

Минимален срок на гаранцията, предложена от доставчика: 24 месеци

Допълнителна информация:

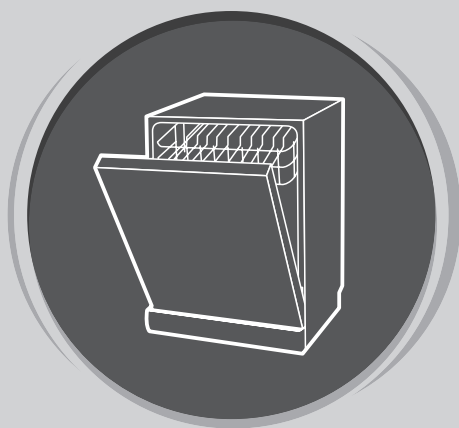
Връзка към уебсайта на доставчика, където се намира информацията от точка б от приложение II към Регламент 2019/2022: tesla.info

^{a)} за програмата „еко“.

Отстраняване от употреба



- За да отстраните от употреба опаковката и самия уред, свържете се с център за рециклиране. Отрежете захранващия кабел и деактивирайте механизма за затваряне на вратата на устройството.
- Картонените опаковки са направени от рециклирана хартия и трябва да се изхвърлят в пункт за събиране на хартиени отпадъци за рециклиране.
- Уверявайки се, че този уред е правилно отстранен от употреба, ще помогнете за предотвратяване на потенциални негативни последствия за околната среда и човешкото здраве, които в противен случай биха могли да бъдат причинени от неподходящо боравене с този продукт.
- За повече подробности относно рециклирането на този продукт, свържете се с местната гражданска служба, местната организация за отстраняване от употреба на битови отпадъци.
- **ОТСТРАНЯВАНЕ ОТ УПОТРЕБА: Не изхвърляйте този продукт като несортирани битови отпадъци. Необходимо е такива отпадъци да бъдат изхвърляни отделно за специално третиране.**



MĂȘINĂ DE SPĂLAT VASE

Manual
de utilizare

**PARTEA I:
VERSIUNEA GENERICĂ**

Citiți acest manual cu atenție și păstrați-l pentru consultări ulterioare.

INSTRUCȚIUNI DE SIGURANȚĂ

ATENȚIE!

Când utilizați mașina de spălat vase, urmați măsurile de precauție enumerate mai jos:

- Instalarea și repararea pot fi efectuate numai de către un tehnician calificat
- Acest aparat este destinat utilizării în gospodărie și aplicații similare, cum ar fi:
 - zone de bucătărie pentru personal în magazine, birouri și alte medii de lucru;
 - ferme;
 - de către clienți din hoteluri, moteluri și alte medii de tip rezidențial;
 - medii tip cazare și mic dejun.
- Acest aparat poate fi utilizat de copii cu vârsta de la 8 ani și peste și de persoane cu capacități fizice, senzoriale sau mentale reduse sau cu lipsă de experiență și cunoștințe, dacă au primit supraveghere sau instrucțiuni privind utilizarea aparatului într-un mod sigur și înțeleg pericolele implicate. Copiii nu trebuie să se joace cu aparatul. Curățarea și întreținerea nu trebuie efectuate de copii fără supraveghere. (Pentru EN60335-1)
- Acest aparat nu este destinat utilizării de către persoane (inclusiv copii) cu capacități fizice, senzoriale sau mentale reduse sau cu lipsă de experiență și cunoștințe, cu excepția cazului în care acestea au fost supravegheate sau instruite cu privire la utilizarea aparatului de către o persoană responsabilă pentru siguranța lor. (Pentru IEC60335-1)
- Materialul de ambalare poate fi periculos pentru copii! Acest aparat este doar pentru uz casnic în interior.
- Pentru a vă proteja împotriva riscului de electrocutare, nu scufundați unitatea, cablul sau ștecherul în apă sau în alte lichide. Vă rugăm să deconectați aparatul înainte de curățare și întreținere.
- Utilizați o cârpă moale umezită cu săpun blând, apoi folosiți o cârpă uscată pentru a îl șterge din nou.

Instrucțiuni de împământare

- Acest aparat trebuie să fie împământat. În cazul unei defecțiuni, împământarea va reduce riscul unui șoc electric, oferind o cale cu cea mai mică rezistență pentru curentul electric. Acest aparat este echipat cu un ștecher conductor de împământare.
- Ștecherul trebuie să fie conectat la o priză adecvată care este instalată și împământată în conformitate cu toate codurile și reglementările locale.
- Conectarea necorespunzătoare a conductorului de împământare poate duce la riscul de electrocutare.
- Consultați un electrician calificat sau un reprezentant de service dacă aveți îndoieli dacă aparatul este împământat corespunzător.
- Nu modificați ștecherul furnizat împreună cu

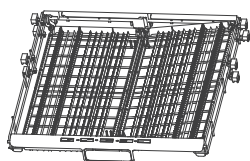
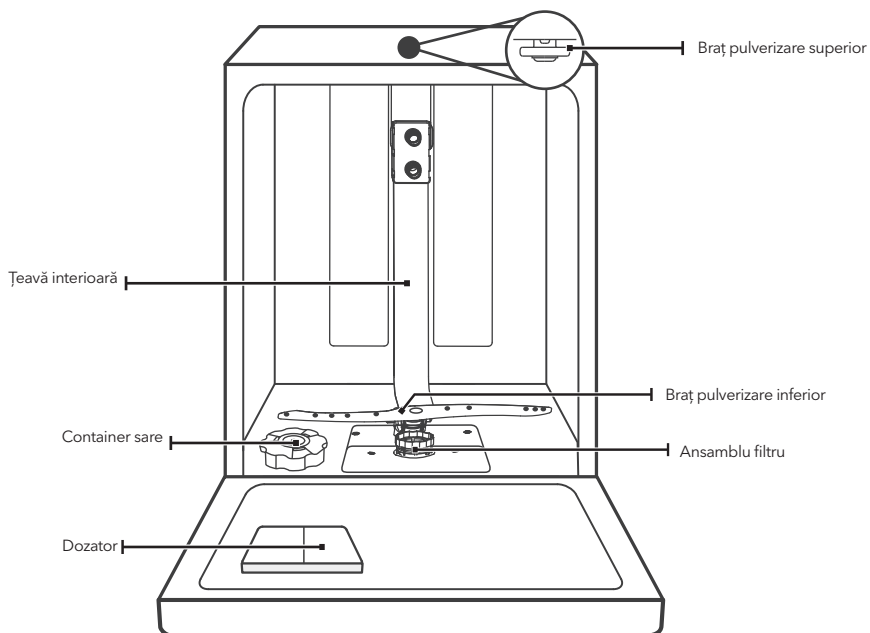
aparatul

- Dacă nu se potrivește la priză.
- Instalați o priză adecvată de către un electrician calificat.
- Nu abuzați, nu vă așezați și nu stați pe ușa sau raftul pentru vase al mașinii de spălat vase.
- Nu utilizați mașina de spălat vase decât dacă toate panourile carcasei sunt corect montate.
- Deschideți ușa cu mare atenție dacă mașina de spălat vase funcționează, există riscul ca apa să stropască.
- Nu așezați obiecte grele și nu stați pe ușă când aceasta este deschisă. Aparatul s-ar putea răsturna.
- La încărcarea articolelor de spălat:
 1. Așezați obiectele ascuțite astfel încât să nu deterioreze garnitura ușii;
 2. Atenție: Cuțitele și alte ustensile cu vârfuri ascuțite trebuie încărcate în coș cu vârfurile îndreptate în jos sau plasate în poziție orizontală.
- Unii detergenți pentru mașina de spălat vase sunt puternic alcalini. Ei pot fi extrem de periculoși dacă sunt înghițiți. Evitați contactul cu pielea și ochii și țineți copiii departe de mașina de spălat vase când ușa este deschisă.
- Verificați dacă recipientul pentru detergent praf este gol după terminarea ciclului de spălare.
- Nu spălați articolele din plastic decât dacă sunt marcate „pentru mașina de spălat vase” sau echivalent.
- Pentru articolele din plastic care nu sunt astfel marcate, verificați recomandările producătorului.
- Utilizați numai detergenți și agenți de clătire recomandați pentru utilizare într-o mașină de spălat vase automată.
- Nu folosiți niciodată săpun, detergent de rufe sau detergent de spălat mâini în mașina de spălat vase.
- Ușa nu trebuie lăsată deschisă, deoarece acest lucru ar putea crește riscul de blocare.
- Dacă cablul de alimentare este deteriorat, acesta trebuie înlocuit de către producător sau de către agentul său de service sau de o persoană calificată similar pentru a evita un pericol.
- În timpul instalării, sursa de alimentare nu trebuie să fie îndoită sau aplăzită excesiv sau periculos.
- Nu modificați comenzile.
- Aparatul trebuie conectat la supapa principală de apă folosind seturi de furtunuri noi. Seturile vechi nu trebuie refolosite.
- Pentru a economisi energie, în modul standby, aparatul se va opri automat atunci când nu mai funcționează în 15 minute.
- Numărul maxim de obiecte care trebuie spălate este de 14.
- Presiunea maximă admisă a apei de intrare este de 1MPa.
- Presiunea minimă admisă a apei de intrare este de 0,04 MPa.

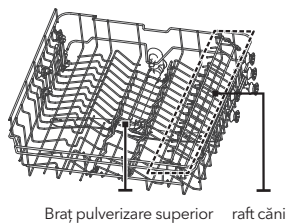
PREZENTARE PRODUS

! IMPORTANT

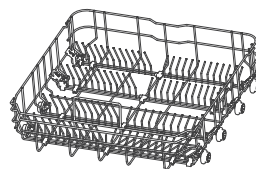
Pentru cele mai bune performanțe ale mașinii de spălat, citiți instrucțiunile de utilizare înainte de a o utiliza pentru prima dată.



Raft tacâmuri



Coș superior



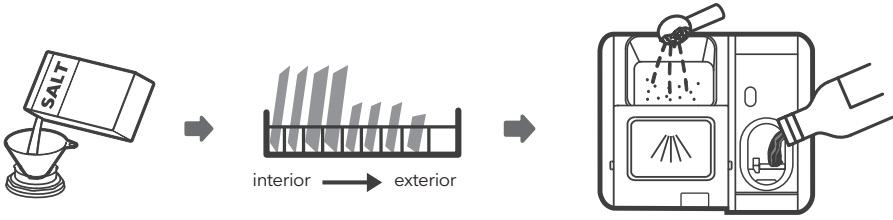
Coș inferior

☰ NOTĂ

Imaginile sunt doar orientative. Modelele pot fi diferite.

UTILIZAREA MAȘINII DE SPĂLAT VASE

Înainte de a utiliza mașina de spălat vase:



1. Setezi dedurizatorul de apă
2. Puneți sarea în compartimentul de dedurizare
3. Încărcați coșul
4. Umpleți dozatorul de detergent

NOTĂ

Verificați secțiunea 1 "Dedurizator apă" din Partea II: versiune specială dacă aveți nevoie să determinați dedurizatorul de apă.

Adăugarea sării în dedurizator

NOTĂ

Dacă modelul dvs. nu are niciun compartiment pentru dedurizator de apă, puteți sări peste această secțiune. Utilizați întotdeauna sare destinată mașinii de spălat vase. Recipientul de sare este situat sub coșul inferior și trebuie umplut conform explicațiilor de mai jos:

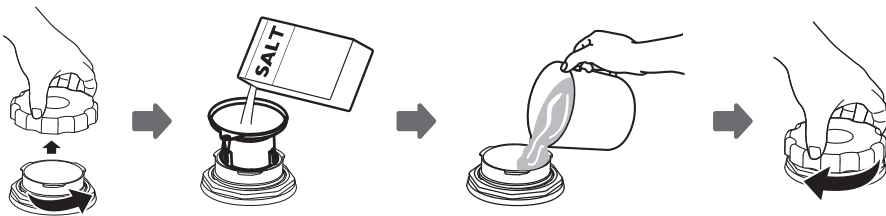
ATENȚIE!

- **Folosiți doar sare special concepută pentru mașini de spălat vase!**
Orice alt tip de sare care nu este conceput special pentru mașina de spălat vase, în special sarea de masă, va deteriora compartimentul dedurizatorului de apă. În cazul daunelor cauzate de utilizarea sării necorespunzătoare, producătorul nu oferă nicio garanție și nu este răspunzător pentru eventualele daune cauzate.

- **Umpleți doar cu sare înainte de a rula un ciclu.**

Acest lucru va împiedica orice boabe de sare sau apă sărată, care s-ar fi putut vărsa, să rămână pe partea de jos a mașinii pentru orice perioadă de timp, ceea ce poate provoca coroziune.

Urmați pașii de mai jos pentru a adăuga sarea:



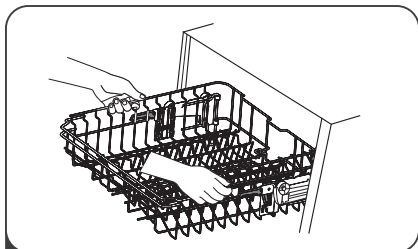
1. Scoateți coșul inferior și deșurubați capacul rezervorului.
2. Așezați capătul pâlniei (furnizată) în orificiu și turnați aproximativ 1,5 kg de sare de spălat vase.
3. Umpleți recipientul de sare până la limita maximă cu apă, este normal ca din recipientul de sare să iasă o cantitate mică de apă.
4. După umplerea recipientului, înșurubați bine capacul.
5. Ledul de avertizare pentru sare va înceta să lumineze după ce recipientul de sare a fost umplut cu sare.
6. Imediat după introducerea sării în recipientul de sare, trebuie pornit un program de spălare (Sugerăm să folosiți un program scurt). În caz contrar, sistemul de filtrare, pompa sau alte părți importante ale mașinii pot fi deteriorate de apă sărată. Acest lucru anulează garanția.

NOTĂ

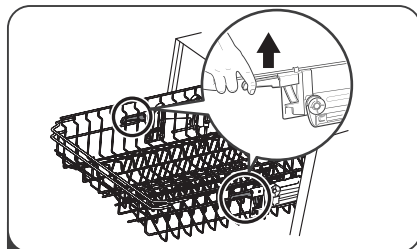
- Compartimentul pentru sare trebuie umplut până când ledul (☞) se aprinde. În funcție e cât de bine se dizolvă sarea, ledul poate rămâne aprins chiar dacă containerul este plin. Dacă ledul nu este aprins pe panoul de control (pentru unele modele), puteți estima când să adăugați sare în dedurizator în funcție de ciclurile pe care le-a efectuat mașina.
- Dacă sarea s-a vărsat, rulați un program scurt pentru a o elimina.

Recomandări pentru umplerea coșului

Ajustarea coșului superior



- 1** Ridicați coșul din centru fiecărei laterale până când coșul este blocat în poziție superioară. Nu este necesar să ridicați mânerul



- 2** Pentru a coborî coșul superior, ridicați mânerul de reglare fiecare parte pentru a elibera coșul și a-l coborî mai jos.

Rabaterea rafturilor pentru căni

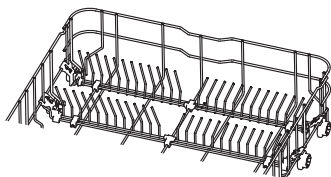
Pentru a face loc pentru obiecte mai înalte în coșul mașinii de spălat vase, ridicați suportul pentru pahare în sus. Puteți apoi să sprijiniți paharele înalte de el. De asemenea, îl puteți elimina atunci când nu este necesar pentru utilizare.



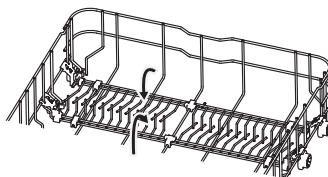
Rabaterea rafturilor în spate

Crampoanele sunt folosite pentru a ține farfuria și un platou. Ele pot fi rabatate pentru a face mai mult loc pentru obiectele mari.

Ridicați



Rabatăți



ÎNTREȚINERE ȘI CURĂȚARE

External Care

Ușă și manșonul ușii

Curățați garniturile ușii în mod regulat cu o cârpă moale umedă pentru a îndepărta depunerile de alimente. Când mașina de spălat vase este încărcată, reziduurile de alimente și băuturi pot picura pe părțile laterale ale ușii mașinii de spălat vase. Aceste suprafețe se află în afara dulapului de spălare și nu sunt accesate de apă de la brațele de pulverizare. Orice depuneri trebuie șterse înainte de a se închide ușa.

Panou de control

Dacă este necesară curățarea, panoul de control trebuie șters DOAR cu o cârpă umedă.

ATENȚIE!

- Pentru a evita pătrunderea apei în încuietorea ușii și în componentele electrice, nu folosiți niciun fel de spray de curățare.
- Nu utilizați niciodată substanțe de curățare abrazive sau tampoane de curățat pe suprafețele exterioare, deoarece acestea pot zgâria finisajul. Unele prosoape de hârtie pot, de asemenea, să zgârie sau să lase urme pe suprafață.

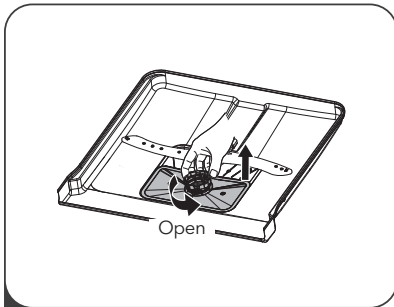
Întreținere internă

Sistem de filtrare

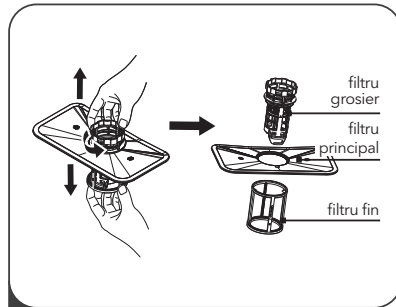
Sistemul de filtrare de la baza dulapului de spălare reține resturile grosiere din ciclul de spălare, inclusiv obiectele străine precum scobitori sau cioburi. Resturile grosiere colectate pot cauza înfundarea filtrelor. Verificați regulat starea filtrelor, îndepărtați cu atenție obiectele străine și curățați părțile sistemului de filtrare dacă este necesar cu apă. Urmați pașii de mai jos pentru a curăța filtrul.

NOTĂ

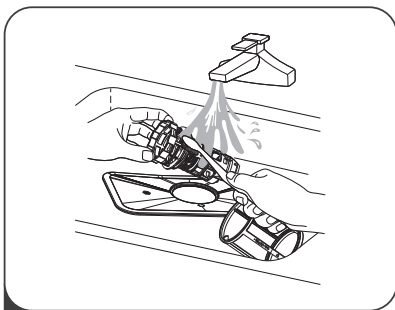
Imaginile sunt doar orientative, pot exista modele diferite de sisteme de filtrare și brațe de pulverizare.



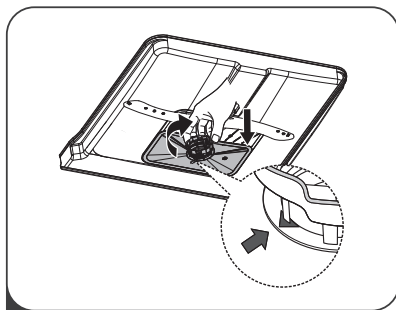
- 1** Țineți filtrul grosier și rotiți-l în sens invers acelor de ceasornic ca să deblocați filtrul. Ridicați filtrul în sus și afară din mașina de spălat vase.



- 2** Filtrul fin poate fi scos din partea de jos a ansamblului filtrului. Filtrul grosier poate fi detașat de filtrul principal prin strângerea ușoară a urechilor din partea de sus și trăgându-l.



- 3** Resturile de alimente mai mari pot fi curățate prin clătirea filtrului sub jet de apă. Pentru o curățare mai temeinică, utilizați o perie moale de curățare.



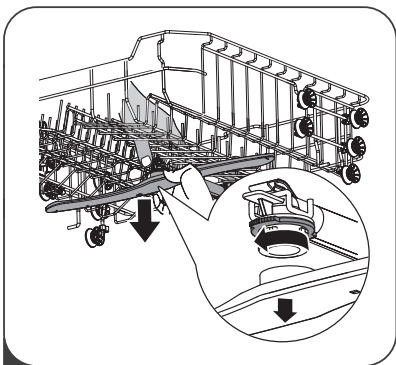
- 4** Remontați filtrele în ordinea inversă demontării. Așezați filtrul la loc și rotiți în sensul acelor de ceasornic pentru a închide săgeata.

ATENȚIE!

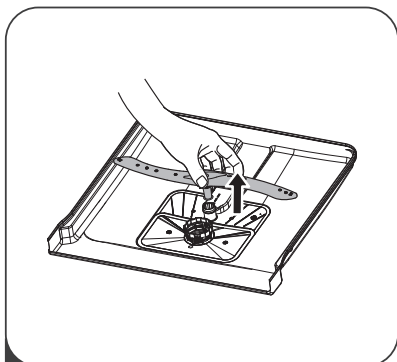
- Nu strângeți prea mult filtrele. Puneți filtrele înapoi în ordine, în caz contrar, resturile grosiere ar putea pătrunde în sistem și pot provoca blocarea.
- **NU** folosiți **NICIODATĂ** mașina de spălat vase fără filtrele la locul lor. Înlocuirea necorespunzătoare a filtrului poate reduce nivelul de performanță al aparatului și poate deteriora vasele și ustensilele.

Brațe de pulverizare

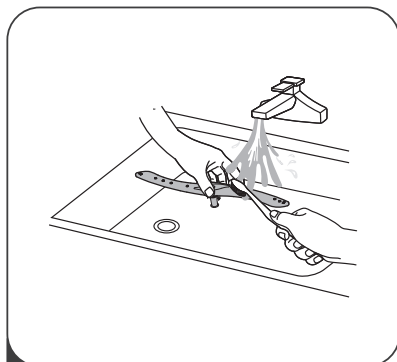
Este necesară curățarea periodică a brațelor de pulverizare și a rulmenților. Pentru a curăța brațele de pulverizare, urmați instrucțiunile:



- 1** Pentru a scoate brațul de pulverizare, țineți piulița din mijloc fermă și rotiți brațul de pulverizare în sensul acelor de ceasornic pentru a-l scoate.



- 2** Pentru a scoate brațul de pulverizare inferior, trageți brațul în sus.



- 3** Spălați brațele cu apă caldă și detergent de vase folosind o perie moale, sub jet de apă. Clătiți din abundență.

Protejarea mașinii de spălat vase

Precauții la îngheț

Vă rugăm să luați măsuri de protecție împotriva înghețului la mașina de spălat vase iarna. După fiecare ciclu de spălare, vă rugăm să respectați următorii pași:

1. Opriti alimentarea cu energie electrică a mașinii de spălat vase de la sursa de alimentare.
2. Opriti alimentarea cu apă și deconectați conducta de alimentare cu apă de la supapa de apă.
3. Scurgeți apa din conducta de admisie și supapa de apă. (Folosiți un vas pentru a aduna apa)
4. Reconectați conducta de alimentare cu apă la supapa de apă.
5. Scoateți filtrul de pe fundul cuvei și folosiți un burete pentru a absorbi apa din bazin.

După fiecare spălare

După fiecare spălare, opriti alimentarea cu apă a aparatului și lăsați ușa ușor deschisă pentru un timp, astfel încât umezeala și mirosurile să nu rămână în interior.

Scoateți ștecherul

Înainte de curățare sau întreținere, scoateți întotdeauna ștecherul din priză.

Fără solvenți sau curățare abrazivă

Pentru a curăța părțile exterioare și din cauciuc ale mașinii de spălat vase, nu utilizați solvenți sau produse de curățare abrazive. Folosiți doar o cârpă cu apă caldă și săpun.

Pentru a îndepărta petele de pe suprafața interiorului, folosiți o cârpă umezită cu apă și puțin oțet, sau un produs de curățare făcut special pentru mașinile de spălat vase.

Când nu este folosit pentru o lungă perioadă de timp

Este recomandat să rulați un ciclu de spălare cu mașina de spălat vase goală și apoi să scoateți ștecherul din priză, să opriti alimentarea cu apă și să lăsați ușa aparatului ușor deschisă. Acest lucru va ajuta garniturile ușii să dureze mai mult și va preveni formarea mirosurilor în interiorul aparatului.

Mutarea aparatului

Dacă aparatul trebuie mutat, încercați să-l mențineți în poziție verticală. Dacă este absolut necesar, poate fi poziționat pe spate.

Garnituri

Unul dintre factorii care provoacă formarea mirosurilor în mașina de spălat vase în reprezintă alimentele care rămân prinse în garnituri. Curățarea periodică cu un burete umezită va preveni acest lucru.

INSTRUCȚIUNI DE INSTALARE

ATENȚIE!



Pericol de electrocutare

Deconectați sursa electrică înainte de instalarea mașinii de spălat vase.

În caz contrar, există risc de deces sau electrocutare.

ATENȚIE!

Montarea conductelor și a echipamentelor electrice trebuie făcută de profesioniști.

Conectare la electricitate

ATENȚIE!

- Pentru siguranța personală:
- Nu folosiți prelungitoare sau un adaptor cu acest aparat.
- Nu folosiți prelungitoare sau un adaptor cu acest aparat.
- Nu tăiați și nu scoateți împământarea de pe cablul de alimentare.

Cerințe electrice

Vă rugăm să verificați eticheta de clasificare pentru a afla tensiunea nominală și conectați mașina de spălat vase la sursa de alimentare corespunzătoare. Utilizați siguranța necesară 10A/13A/16A, siguranța cu întârziere sau întrerupătorul de circuit recomandat și furnizați circuit separat care deservește numai acest aparat.

Conexiune electrică

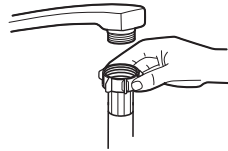
Asigurați-vă că tensiunea și frecvența de alimentare corespund cu cele de pe plăcuța cu date tehnice. Conectați la o priză electrică care este împământată corespunzător. Dacă priza electrică la care trebuie conectat aparatul nu este adecvată pentru ștecher, înlocuiți priza, în loc să utilizați adaptoare sau altele asemenea, care pot provoca supraîncălzire și arsuri.

⚠️ Asigurați-vă că există împământare înainte de utilizare.

Alimentare cu apă și scurgere

Conectarea la apă rece

Conectați furtul de apă rece la un conector de 3/4(inch) și asigurați-vă că este strâns bine. Dacă țevile de apă sunt noi sau nu a fost folosite pe o perioadă lungă de timp, lăsați apa să curgă pentru a vă asigura că apa este curată. Această precauție este necesară pentru a evita blocarea orificiului de admisie a apei și deteriorarea aparatului.



Furtun alimentare normal



Furtun alimentare de siguranță

Despre furtunul de alimentare de siguranță

Furtunul de alimentare de siguranță este format din pereți dubli. Sistemul furtunului garantează intervenția acestuia prin blocarea fluxului de apă în cazul rupei furtunului de alimentare și atunci când spațiul de aer dintre furtunul de alimentare în sine și furtunul ondulat exterior este plin de apă.

⚠️ ATENȚIE!

Un furtun care se atașează la un robinet se poate sparge dacă este instalat pe aceeași linie de apă ca și mașina de spălat vase. Dacă chiuveta dvs. are unul, se recomandă ca furtunul să fie deconectat și orificiul astupat.

Cum se conectează furtunul de alimentare de siguranță

1. Scoateți complet furtunurile de alimentare de siguranță din compartimentul de depozitare situat în spatele mașinii de spălat vase.
2. Strângeți șuruburile furtunului de alimentare de siguranță la robinet cu filet de 3/4 inch.
3. Porniți complet apa înainte de a porni mașina de spălat vase.

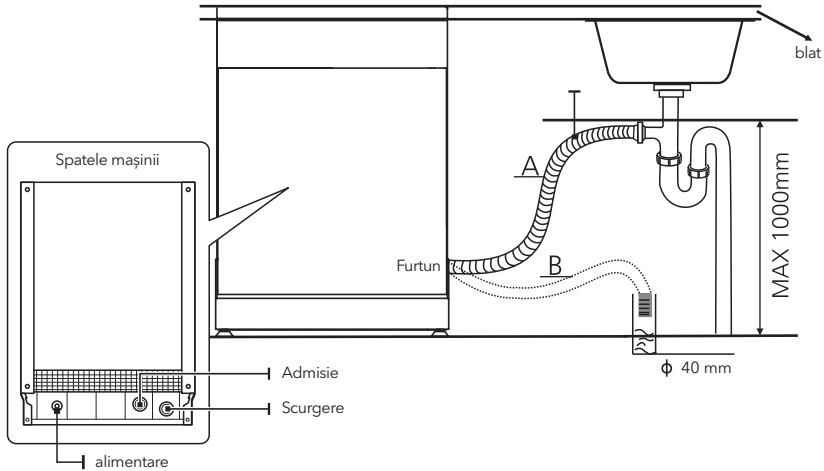
Cum să deconectați furtunul de alimentare de siguranță

1. Opriți apa.
2. Deșurubați furtunul de alimentare de siguranță de la robinet.

Conectarea furtunurilor de scurgere

Introduceți furtunul de scurgere într-o țeavă de scurgere cu un diametru minimum 4 cm sau lăsați-l să curgă în chiuvetă, asigurându-vă că nu îl îndoiți. Înălțimea conductei de scurgere trebuie să fie mai mică de 1000 mm. Capătul liber al furtunului nu trebuie scufundat în apă pentru a evita returnul.

⚠️ Fixați furtunul de scurgere în poziția A sau poziția B.



Cum se scurge excesul de apă din furtunuri

Dacă racordul la conducta de scurgere este poziționat mai sus de 1000 mm, excesul de apă poate rămâne în furtunul de evacuare. Va fi necesar să scurgeți excesul de apă din furtun într-un vas sau recipient adecvat care este ținut în exterior și mai jos decât chiuveta.

Priza de apă

Conectați furtunul de evacuare a apei. Furtunul de scurgere trebuie montat corect pentru a evita scurgerile de apă. Asigurați-vă că furtunul de evacuare a apei nu este îndoit sau strivit.

Furtun prelungitor

Dacă aveți nevoie de o prelungire a furtunului de scurgere, asigurați-vă că utilizați un furtun de scurgere similar. Nu trebuie să fie mai mare de 4 metri; în caz contrar, efectul de curățare al mașinii de spălat vase ar putea fi redus.

Conexiune sifon

Racordul de deșeuri trebuie să fie la o înălțime mai mică de 1000 mm (maximum) de partea inferioară a mașinii de spălat vase.

Poziționarea aparatului

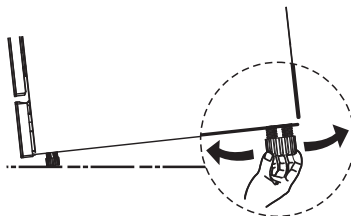
Poziționați aparatul în locul dorit. Spatele trebuie să se sprijine pe peretele din spatele lui, iar părțile laterale, de-a lungul dulapurilor sau pereților adiacenți. Mașina de spălat vase este echipată cu furtunuri de alimentare cu apă și de evacuare care pot fi poziționate fie în partea dreaptă, fie în partea stângă pentru a facilita instalarea corectă.

Echilibrarea aparatului

Once the appliance is positioned for levelling, the height of the dishwasher may be altered via adjustment of the screwing level of the feet. In any case, the appliance should not be inclined more than 2°.

NOTĂ

Aplicați doar la mașina de sine stătătoare.

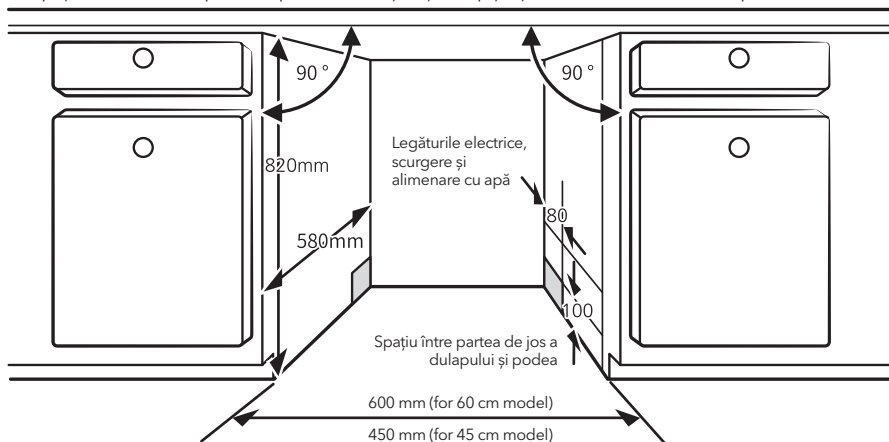


Instalare încorporată (pentru modelul corespunzător)

Pasul 1. Selectarea celei mai bune locații pentru mașina de spălat vase

Poziția de instalare a mașinii de spălat vase trebuie să fie în apropierea furtunurilor de admisie și de evacuare existente și a cablului de alimentare. Ilustrații cu dimensiunile dulapului și poziția de instalare a mașinii de spălat vase.

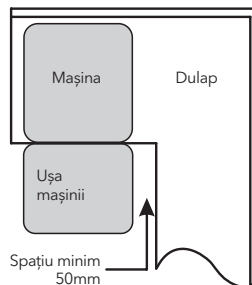
1. Mai puțin de 5 mm între partea superioară a mașinii și dulap și ușa exterioră aliniată la dulap.



2. În funcție de unde aveți priză, trebuie să tăiați un orificiu în partea opusă a dulapului.

NOTĂ

În funcție de unde aveți priză, trebuie să tăiați un orificiu în partea opusă a dulapului.



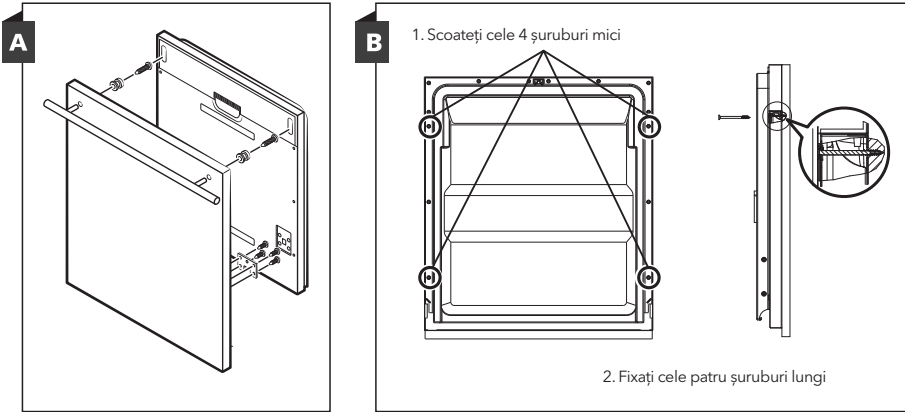
Pasul 2. Dimensiunile panoului estetic și instalarea

NOTĂ

Panoul estetic din lemn poate fi prelucrat conform desenelor de instalare.

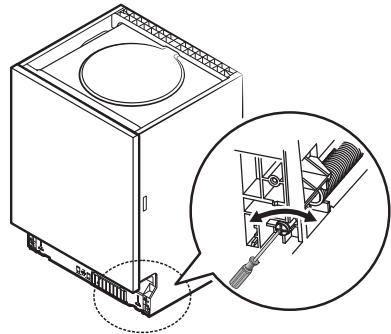
Model complet integrat

Instalați cârligul pe panoul din lemn estetic și puneți cârligul în fanta ușii exterioare a mașinii de spălat vase (vezi figura A). După poziționarea panoului, fixați panoul pe ușa exterioară cu șuruburi și șuruburi (vezi figura B).



Pasul 3. Reglarea tensiunii arcului ușii

1. Arcurile ușii sunt setate din fabrică la tensiunea corespunzătoare pentru ușa exterioară. Dacă sunt instalate panouri estetice din lemn, va trebui să reglați tensiunea arcului ușii. Rotiți șurubul de reglare pentru a împinge regulatorul să încordeze sau să relaxeze cablul de oțel.
2. Tensiunea arcului ușii este corectă atunci când ușa rămâne orizontală în poziția complet deschisă, dar se ridică până la închidere cu o ușoară ridicare a degetului.

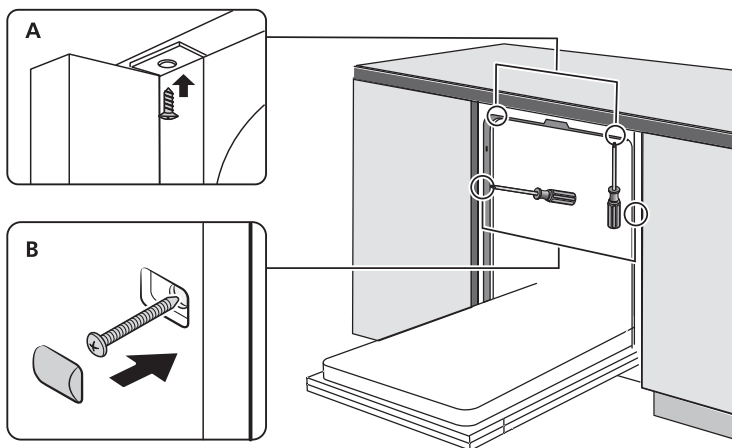


Pasul 4. Pași de instalare a mașinii de spălat vase

NOTĂ

Consultați pașii de instalare din schițe

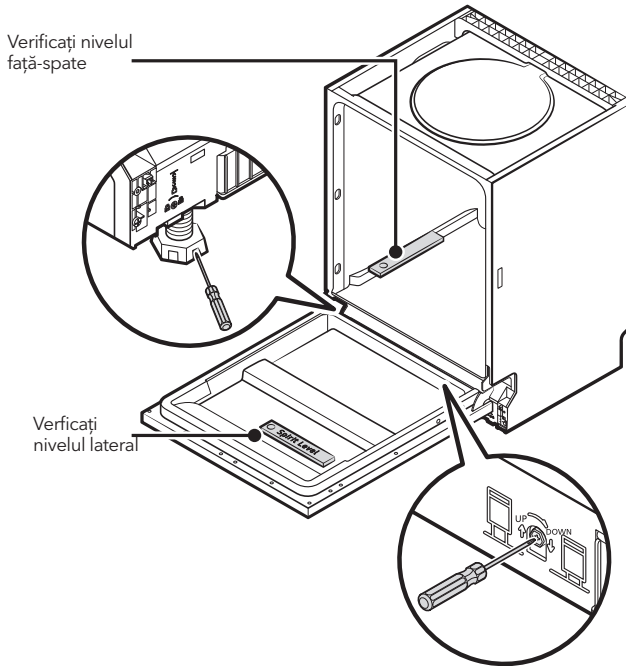
1. Fixați banda de condens sub suprafața de lucru a dulapului. Vă rugăm să vă asigurați că banda de condens este aliniată cu marginea suprafeței de lucru. (Pasul 2)
2. Conectați furtunul de alimentare la sursa de apă rece.
3. Conectați furtunul de evacuare.
4. Conectați cablul de alimentare.
5. Așezați mașina de spălat vase în poziție. (Pasul 4)
6. Nivelati mașina de spălat vase. Picioarele din spate pot fi reglate din partea din față a mașinii de spălat vase, rotind șurubul Philips din mijlocul bazei mașinii de spălat vase, folosind o șurubelniță Philips. Pentru a regla picioarele din față, utilizați o șurubelniță plată și rotiți picioarele din față până când mașina de spălat vase este la nivel. (Pasul 5)
7. Instalați ușa mobilierului pe ușa exterioară a mașinii de spălat vase.
8. Reglați tensiunea arcurilor ușii folosind o cheie hexagonală care se rotește în sensul acelor de ceasornic pentru a strânge arcurile din stânga și din dreapta. Nerespectarea acestui lucru poate cauza deteriorarea mașinii dvs. de spălat vase.
9. Mașina de spălat vase trebuie să fie fixată pe loc. Există două moduri de a face acest lucru:
 - A. Suprafața normală de lucru: Puneți cârligul de instalare în fanta planului lateral și fixați-l de suprafața de lucru cu șuruburile pentru lemn.
 - B. Blat de lucru din marmură sau granit: Fixați partea laterală cu șurubul.



Pasul 5. Nivelarea mașinii de spălat vase

Mașina de spălat vase trebuie să fie la nivel pentru o funcționare corespunzătoare a suportului de vase și performanță de spălare.

1. Așezați o nivelă cu bulă de aer pe ușă și pe șina de suport în interiorul cuvei, așa cum se arată, pentru a verifica dacă mașina de spălat vase este la nivel.
2. Nivelati mașina de spălat vase ajustând individual cele trei picioare de nivelare.
3. Când nivelati mașina de spălat vase, vă rugăm să acordați atenție să nu lăsați mașina de spălat vase să se răstoarne.



NOTĂ

Ajustarea maximă a înălțimii a picioarelor va fi de 50 mm.

DEPANARE

Înainte de a solicita asistență tehnică

Verificați tabelul de mai jos.

Problemă	Cauze posibile	Ce este de făcut
Mașina de spălat nu pornește	Siguranța este sărită sau scurt circuit.	Înlocuiți siguranța sau resetați întrerupătorul. Scoateți alte aparate conectate la aceeași priză cu mașina de spălat vase.
	Fără alimentare electrică.	Asigurați-vă că mașina este pornită, iar Ușa este bine închisă. Asigurați-vă că cablul este conectat corect la priza de perete.
	Presiunea apei este scăzută	Verificați conectarea corectă la sursa de apă și că apa este pornită.
	Ușa nu este închisă corect.	Asigurați-vă că ușa este închisă și blocată corect.
Apa nu este pompată din mașină	Furtun răsucit sau blocat.	Verificați furtunul de scurgere.
	Filtru înfundat.	Verificați sistemul de filtrare.
	Chiuvetă înfundată.	Verificați ca chiuveța să aibă scurgerea bună. Dacă chiuveța nu se scurge bine, aveți nevoie de un instalator sau un tehnician pentru mașini de spălat vase.
Spumă	Detergent incorect.	Folosiți doar detergent special. Dacă există spumă, deschideți mașina și lăsați să se evapore. Adăugați 4 l de apă rece în mașina de spălat vase. Închideți ușa și alegeți orice ciclu de spălare, Mașina va evacua apa. Deschideți ușa după evacuare și verificați dacă a dispărut spuma. Repetăți dacă este necesar.
	Clățiți.	Clățiți imediat.
Interior pătat	S-a folosit detergent colorat	Asigurați-vă că detergentul nu are colorant.
Peliculă în interior	Minerale din apă dură.	Pentru a curăța interior, folosiți o cârpă umedă cu detergent de vase și purtați mănuși de menaj. Nu folosiți niciodată alt agent de curățare, poate cauza spumă sau pete.
Pete de rugină pe tacâmuri	Obiectele nu sunt rezistente la coroziune	Evitați obiectele care nu sunt rezistente la coroziunea din mașina de spălat.
	Nu s-a rulat programul după adăugarea sării. Urme de sare în ciclul de spălare	Rulați un program fără veselă după ce adăugați sare. Selectați funcția Turbo (dacă există).
	Capacul este slăbit	Verificați capacul să fie închis.
Zgomot de lovire în mașină	Un braț de pulverizare lovește un obiect din coș	Opriti programul și rearanjați obiectele care blochează brațul de pulverizare.

Problemă	Cauze posibile	Ce este de făcut
Zgomot de zdrăngănit în mașină	Items of crockery are loose in the dishwasher.	Interrupt the program and rearrange the items of crockery.
Zgomot de lovire în țevile de apă	Poate fi cauzat de instalare sau de secțiunea transversală a țevilor.	Nu influențează funcția mașinii de spălat vase. Dacă aveți dubii, contactați un instalator calificat.
Vasele nu sunt curate	Vasele nu au fost încărcate corect.	Vezi NOTĂLE de la "Încărcarea și descărcarea mașinii de spălat vase".
	Programul nu este suficient de puternic.	Selectați un program mai puternic.
	Detergent insuficient	Folosiți mai mult detergent sau schimbați detergentul.
	Obiectele blochează mișcarea brațelor de pulverizare.	Rearanjați obiectele astfel încât brațul de pulverizare să se rotească liber.
	Filtrul nu este curat sau nu este montat corect la baza chiuvetei. Orificiile brațelor de pulverizare se blochează.	Curățați și montați filtrul corect. Curățați orificiile brațelor de pulverizare.
Paharele nu sunt curate	Prea mult detergent	Folosiți mai puțin detergent dacă apa nu este dură și selectați un program mai scurt pentru pahare.
Pete albe pe vase și pahare	Apa dură din zonă poate cauza piatră.	Verificați setările dedurizatorului sau status of salt container.
Pete negre sau gri pe vase	Ustensilele de aluminiu s-au frecat de vase	Folosiți un agent de curățare ușor abraziv pentru a elimina petele.
Detergent în dozator	Vesela blochează dozator	Reîncărcați corect vesela.
Vasele nu se usucă	Încărcare incorectă	Folosiți mănuși dacă rămân resturi de detergent pe vase pentru a evita iritații ale pielii.
	Vesela a fost scoasă prea repede.	Nu goliți mașina imediat după spălare. Deschideți ușa ușor pentru ca aburul să iasă. Scoateți vesela când temperatura interioară vă permite să atingeți vesela. Descărcați coșul inferior pentru a preveni scurgerea apei din coșul superior.
Vasele nu se usucă	A fost selectat programul greșit.	La un program mai scurt, temperatura de usucă spălare este mai joasă, iar performanțele de spălare sunt mai slabe. Alegeți un program mai lung.
	Veselă cu smalț de proastă calitate.	Scurgerea apei este mai dificilă la aceste produse. Vesela de acest tip nu este potrivită pentru spălare în mașina de spălat vase.

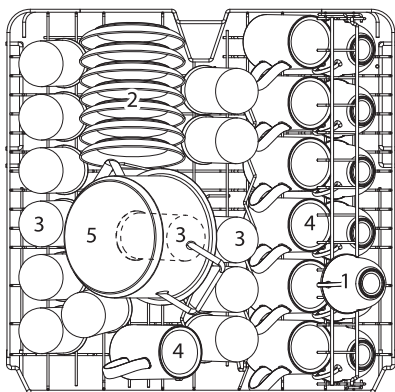
**ATENȚIE!**

Reparațiile făcute de dvs. sau de o persoană necalificată pot afecta siguranța utilizatorului și anula garanția.

ÎNCĂRCAREA COȘURILOR CONFORM EN60436

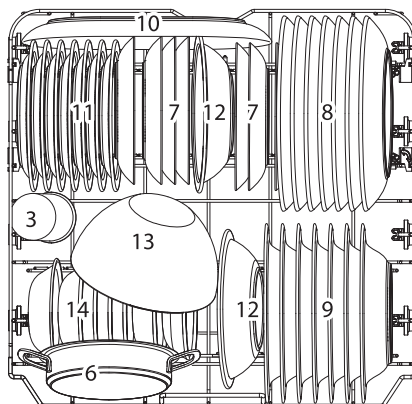
Încărcarea mașinii de spălat vase la capacitate maximă va contribui la economisirea de energie și apă.

1. Coș superior:



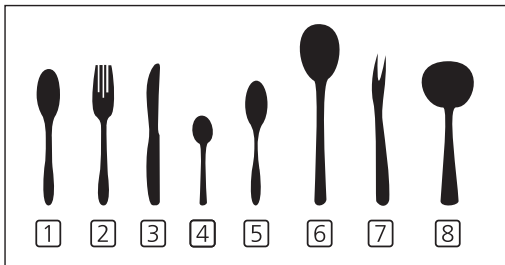
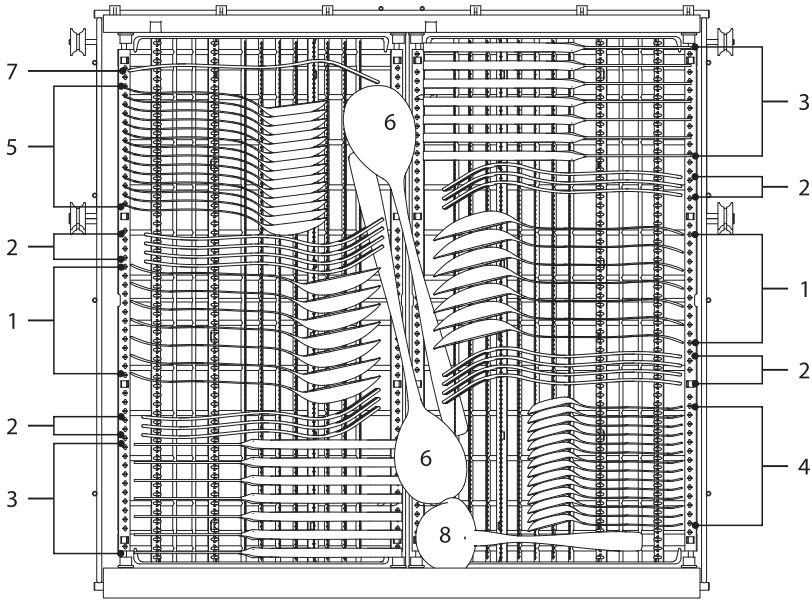
Număr	Obiect
1	Cești
2	Farurioare
3	Pahare
4	Căni
5	Oală mică

2. Coș inferior:



Număr	Obiect
6	Oală cuptor
7	Farfurii mici
8	Farfurii plate
9	Farfurii adânci
10	Platou oval
11	Farfurii mici melamină
12	Boluri melamină
13	Bol sticlă
14	Bol desert

3. Raft tacâmuri:



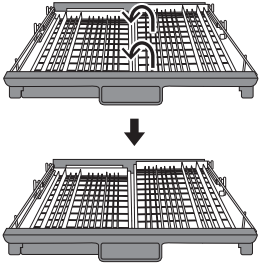
Număr	Obiect
1	lingură adâncă
2	furculiță
3	cuțite
4	linguriță
5	lingură desert
6	lingură pentru servit
7	furculiță pentru servit
8	polonic

Informații privind testele de comparabilitate conform EN60436
Capacitate: 14 locuri

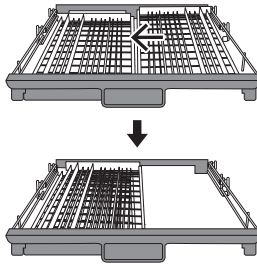
Poziția în coșul superior: inferioară

Program: ECO

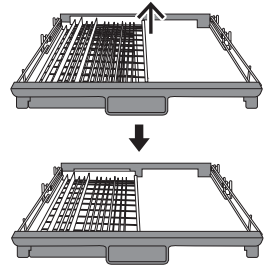
Setare clătire: MAX Setare dedurizator: H3

Utilizare suport tacâmuri

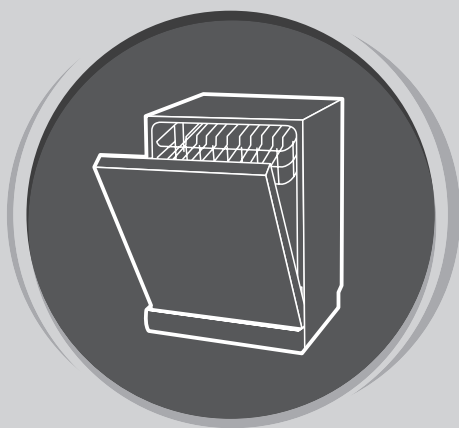
Ridicați coșul, ambele sunt plate.



Mișcați coșul drept de la dreapta la stânga, cele două coșuri se suprapun.



Scoateți coșul drept din tavă, a rămas unul singur.



MAȘINĂ DE SPĂLAT VASE

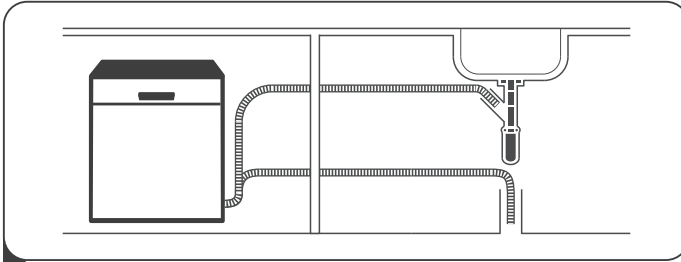
Manual
de utilizare

**PARTEA II: VERSIUNE SPECIALĂ
WDI690M**

Citiți acest manual cu atenție și păstrați-l pentru consultări ulterioare.

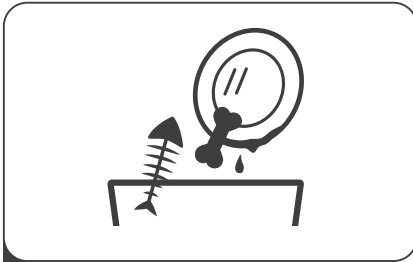
GHID DE UTILIZARE RAPID

Citiți secțiunile corespunzătoare din manualul de instrucțiuni pentru metoda de funcționare detaliată.

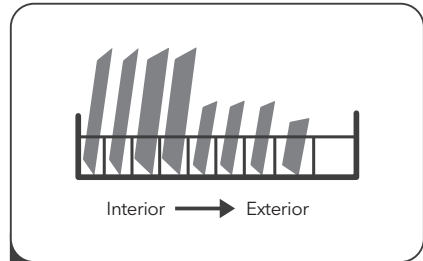


1 Instalați mașina de spălat vase

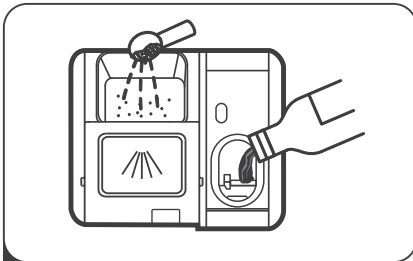
(Vezi secțiunea 5 "Instrucțiuni de instalare" din PARTEA I: versiune generică.)



2 Îndepărtați resturile mari de pe veselă



3 Încărcați coșurile



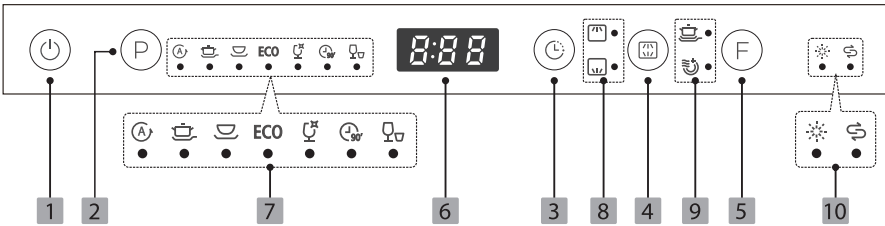
4 Umpleți dozatorul.



5 Selectați un program și porniți mașina

UTILIZAREA MAȘINII DE SPĂLAT VASE

Panou de control



Funcționare (buton)









- 1** Putere Apăsați acest buton pentru a porni mașina, ecranul se va activa.
- 2** Program Selectați programul corespunzător, indicatorul programului se va activa.
- 3** Programare Apăsați acest buton pentru a programa orele de spălare. Puteți programa o perioadă de până la 24 ore. O apăsare a butonului amână pornirea spălării cu 1 oră.
- 4** Alt Apăsați butonul pentru a selecta fie coșul superior, fie coșul inferior încărcat, iar indicatorul corespunzător se va aprinde.
- 5** Funcție Apăsați butonul pentru a selecta o funcție, indicatorul corespunzător se va aprinde.

Afișaj

- 6** Ecran Arată timpul rămas, programul, codul de eroare etc.

- 7** Program indicator

 - Auto**
Spălarea cu detecție automată, vesela ușoară, normală sau foarte murdară, cu sau fără alimente uscate.
 - Intensive**
Obiectele foarte murdare sunt oalele și tigăile, cu resturi uscare.
 - Universal**
Pentru un grad normal de murdărie, oale, farfuri, pahare și tigăi puțin murdare.
 - ECO**
Program standard pentru grad de murdărie normal și tigăi puțin murdare și este cel mai eficient program cu privire la consumul de energie și apă.
 - Glass**
Pentru tacâmuri și pahare cu grad normal de murdărie.
 - 90 Min**
Pentru ciclul rapid de spălare cu grad normal de murdărie.
 - Rapid**
Ciclul rapid pentru veselă care nu are nevoie de uscare.

8	Indicator Alt		Upper Când selectați Upper, numai vasele din raftul superior vor fi spălate. Sistemul de pulverizare al coșului inferior nu va funcționa.
			Lower Când selectați Lower, numai vasele din raftul inferior vor fi spălate. Sistemul de pulverizare al coșului superior nu va funcționa.
9	Funcțion indicator		Extra Cleaning Pentru a spăla vase foarte murdare, greu de curățat. (Poate fi folosit doar cu Intensive, Universal, ECO, Glass, 90 min)
			Extra Drying Pentru rezultate de uscare mai bune. (Poate fi folosit doar cu Intensive, Universal, ECO, Glass, 90 min)
10	Warning indicator		Rinse Aid Dacă  indicatorul este aprins, înseamnă că mașina de spălat vase are un conținut scăzut de agent de clătire și necesită o reumplere.
			Salt Dacă  indicatorul este aprins, înseamnă că mașina de spălat vase are un conținut scăzut de sare și necesită o reumplere.

Dedurizator apă

Dedurizatorul de apă trebuie setat manual, folosind butonul de reglare a durtății apei.

Dedurizatorul de apă este conceput pentru a elimina mineralele și sărurile din apă, care ar avea un efect dăunător sau negativ asupra funcționării aparatului.

Cu cât există mai multe minerale, cu atât apa este mai dură.

Dedurizatorul trebuie ajustat în funcție de duritatea apei din zona dumneavoastră. Autoritatea locală de apă vă poate sfătui cu privire la duritatea apei din zona dumneavoastră.

Reglarea consumului de sare

Mașina de spălat vase este proiectată pentru a permite ajustarea cantității de sare consumată în funcție de duritatea apei utilizate. Acesta are scopul de a optimiza și personaliza nivelul consumului de sare.

Vă rugăm să urmați pașii de mai jos pentru ajustarea consumului de sare.

1. Porniți aparatul;
2. Apăsați butonul Program mai mult de 5 secunde pentru a porni modelul set de dedurizator de apă în 60 de secunde de la pornirea aparatului;
3. Apăsați butonul Program pentru a selecta setul potrivit în funcție de mediul dumneavoastră, seturile se vor schimba în următoarea secvență: H1->H2->H3->H4->H5->H6;
4. Apăsați butonul de pornire pentru a încheia configurarea modelului.

DURITATE APĂ				Dedurizator nivel	Regenerare la fiecare secvență X din program ¹⁾	Consum sare (gram/ciclu)
German dH *	Francez fH **	Englez Clarke ***	Mmol/l			
0 - 5	0 - 9	0 - 6	0 - 0.94	H1	Fără	0
6 - 11	10 - 20	7 - 14	1.0 - 2.0	H2	10	9
12 - 17	21 - 30	15 - 21	2.1 - 3.0	H3	5	12
18 - 22	31 - 40	22 - 28	3.1 - 4.0	H4	3	20
23 - 34	41 - 60	29 - 42	4.1 - 6.0	H5	2	30
35 - 55	61 - 98	43 - 69	6.1 - 9.8	H6	1	60

1°dH=1.25 °fH=0.178mmol/l °Clarke=1.78

Setare fabrică: H3. Contactați agenția de apă locală pentru informații privind duritatea apei din zona dvs.

¹⁾ Fiecare ciclu cu o operațiune de regenerare consumă 2l de apă în plus, consumul de energie crește cu 0.02 kWh, iar programul este mai lung cu 4 minute.



Verificați secțiunea 3 "Adăugare sare în compartimentul de dedurizare" din PARTEA I: versiune generică, dacă mașina de spălat vase nu are sare.



Dacă modelul dvs. nu are niciun compartiment pentru dedurizator de apă, puteți sări peste această secțiune.

Dedurizator de apă

Duritatea apei variază de la un loc la altul. Dacă în mașina de spălat vase se folosește apă dură, se vor forma depuneri pe vase și ustensile.

Aparatul este echipat cu un dedurizator special care folosește un recipient de sare special conceput pentru a elimina varul și mineralele din apă.

Pregătirea și încărcarea vaselor

Luați în considerare cumpărarea de ustensile care sunt identificate ca fiind rezistente la mașina de spălat vase.

- Pentru anumite articole, selectați un program cu cea mai scăzută temperatură posibilă.
- Pentru a preveni deteriorarea, nu scoateți paharele și tacâmurile din mașina de spălat vase imediat după terminarea programului.

Pentru spălarea următoarelor tacâmuri/vase

Nu sunt potrivite

- Tacâmuri cu mâner din lemn, porțelan sau sîdef
- Articole din plastic care nu sunt rezistente la căldură
- Tacâmuri mai vechi cu părți lipite care nu sunt rezistente la temperatură
- Tacâmuri sau vase lipite
- Articole din cositor sau cupru
- Sticlă de cristal
- Obiecte din oțel supuse ruginii
- Platuri din lemn
- Articole din fibre sintetice

Au adevărate limitări

- Unele tipuri de pahare pot deveni mate după un număr mare de spălări
- Piese din argint și aluminiu au tendința de a se decolora în timpul spălării
- Modelele se pot estompa dacă sunt spălate frecvent la mașină

Recomandări pentru încărcarea mașinii de spălat vase

Îndepărtați orice cantitate mare de mâncare rămasă. Înmuiiați resturile de alimente arse în tigăi. Nu este necesar să clătiți vasele sub jet de apă.

Pentru o performanță optimă a mașinii de spălat vase, urmați aceste instrucțiuni de încărcare. **(Caracteristicile și aspectul coșurilor și coșurilor pentru tacâmuri pot varia față de modelul dvs.)**

Puneți obiectele în mașina de spălat vase în felul următor:

- Obiectele precum câni, pahare, oale/tigăi etc. sunt orientate în jos.
- Articolele curbate sau cele cu adâncituri trebuie încărcate oblic, astfel încât apa să poată curge.
- Toate ustensilele trebuie să fie stivuite în siguranță, astfel încât să nu se răstoarne.
- Toate ustensilele sunt așezate astfel încât brațele de pulverizare să se poată roti liber în timpul spălării.
- Încărcați obiecte goale, cum ar fi pahare, tigăi etc. cu deschiderea în jos, astfel încât apa să nu se adune în recipient sau într-o bază adâncă.
- Vasele și tacâmurile nu trebuie să se aplece una în cealaltă sau să se acopere unele pe altele. Pentru a evita deteriorarea, paharele nu trebuie să se atingă.
- Coșul superior este conceput pentru a ține vase mai delicate și mai ușoare, cum ar fi pahare, câni de cafea și ceai.
- Cuțitele cu lamă lungă depozitate în poziție verticală reprezintă un potențial pericol!

- Tacâmurile lungi și/sau ascuțite, cum ar fi cuțitele de cioplit, trebuie poziționate orizontal în coșul superior.
- Vă rugăm să nu supraîncărcați mașina de spălat vase. Acest lucru este important pentru rezultate bune și pentru un consum rezonabil de energie.

**NOTĂ**

Articolele foarte mici nu ar trebuie spălate în mașină deoarece cad ușor din coș.

Scoaterea vaselor

Pentru a preveni scurgerea apei din coșul superior, vă recomandăm să goliți coșul inferior primul, iar apoi pe cel superior.

**ATENȚIE!**

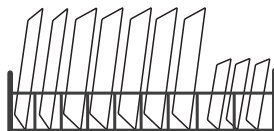
Obiectele sunt fierbinți! Pentru a preveni daunele, nu scoateți vesela și tacâmurile din mașină decât după aproximativ 15 minute de la terminarea programului.

Încărcarea coșului superior

Coșul superior este proiectat pentru a ține vesela mai delicată și mai Ușoară, precum pahare, căni de cafea și ceai și farfurioare, dar și farfurii, boluri mici și tigăi puțin adânci (dacă nu sunt prea murdare). Poziționați vesela astfel încât să nu fie mișcată de stropii de apă.

**Încărcarea coșului inferior**

Proiectat pentru obiecte mari și mai dificil de curățat, astfel: oale, tigăi, vase pentru servit și boluri, conform figurii de mai jos. Se recomandă așezarea vaselor de servit în laterala suportului pentru a evita blocarea rotației brațului de pulverizare. Diametrul maxim recomandat pentru farfuriile din fața dozatorului de detergent este de 19 cm, astfel încât să nu împiedice deschiderea acestuia.

**Încărcarea coșului pentru tacâmuri**

Tacâmurile trebuie așezate în suportul pentru tacâmuri separat unul de celălalt, în pozițiile corespunzătoare și asigurați-vă că ustensilele nu se suprapun, acest lucru poate duce la performanțe proaste.

**ATENȚIE!**

Nu lăsați obiectele să iasă prin partea inferioară a coșului. Ustensilele ascuțite trebuie așezate cu vârful ascuțit în jos!

**NOTĂ**

Pentru cel mai bun efect de spălare, încărcați coșurile conform opțiunilor de încărcare standard din ultima secțiune a PĂRȚII: versiunea generică.

Funcția de clătire și detergent

Agentul de clătire este eliberat în timpul clătirii finale pentru a preveni formarea de picături de apă pe vase, care pot lăsa pete și dungii. De asemenea, îmbunătățește uscarea, permițând apei să alunece de pe vase. Mașina dvs. de spălat vase este proiectată pentru a utiliza agenți de clătire lichizi.

⚠ ATENȚIE!

Utilizați numai un agent de clătire de marcă pentru mașina de spălat vase. Nu umpleți niciodată dozatorul de agent de clătire cu alte substanțe (de exemplu, agent de curățare pentru mașina de spălat vase, detergent lichid). Acest lucru poate deteriora aparatul.

Când să reumpleți agentul de clătire

Regularitatea dozatorului care trebuie reumplut depinde de cât de des sunt spălate vasele și de setarea folosită pentru agentul de clătire.

- Indicatorul Low Rinse Aid (☼) se va activa când este necesar mai multă soluție.
- Nu umpleți prea mult dozatorul.

Funcția detergentului

Ingredientele chimice din detergent sunt necesare pentru a îndepărta, elimina resturile de pe veselă. Majoritatea detergentilor din comerț sunt adecvați pentru acest scop

⚠ ATENȚIE!

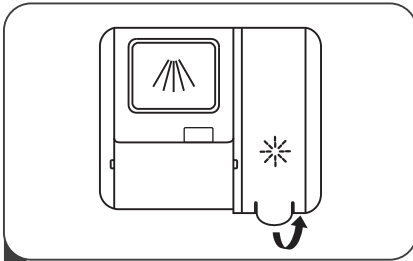
Utilizarea corectă a detergentului

Folosiți doar detergent pentru mașina de spălat vase. Păstrați detergentul proaspăt și uscat. Nu folosiți detergent pudră pentru dozator decât în momentul spălării vaselor.

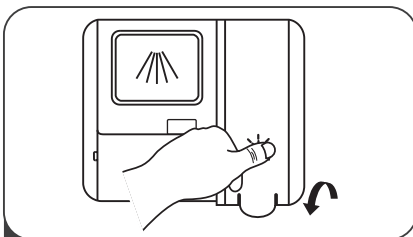


Detergentul pentru mașina de spălat vase este corosiv! Nu lăsați la îndemâna copiilor!

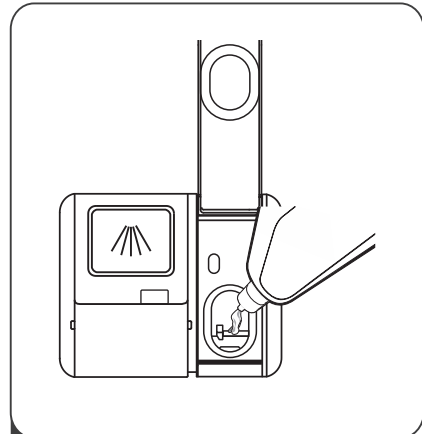
Umplerea rezervorului cu agent de clătire



1 Scoateți capacul ridicând de mână.



3 Închideți capacul.



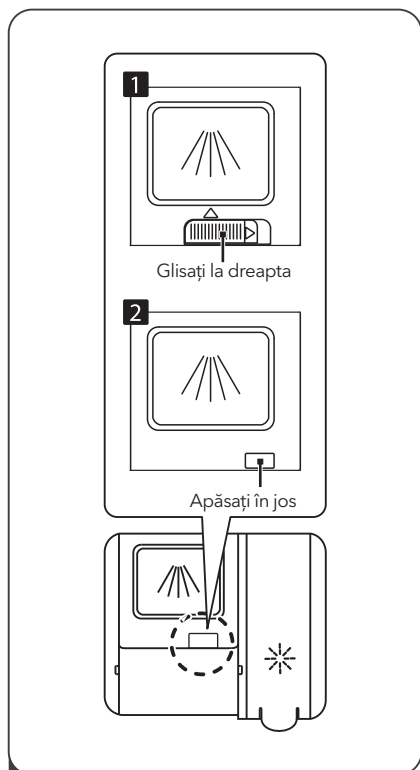
2 Turnați agentul în dozator, nu depășiți limita.

Reglarea rezervorului de agent de clătire

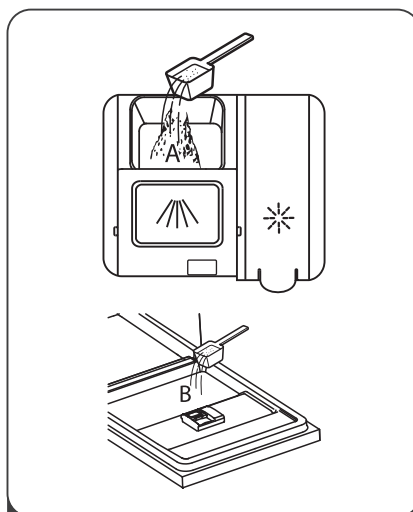
Pentru a obține o performanță de uscare mai bună cu agent de clătire limitat, mașina de spălat vase este concepută pentru a regla consumul. Urmați pașii de mai jos:

1. Închideți ușa și porniți aparatul.
2. În 60 de secunde după pasul 1, apăsați butonul Program mai mult de 5 secunde, apoi apăsați butonul Delay pentru a intra în modelul setat, indicația agentului de clătire clipește ca frecvență de 1 Hz.
3. Apăsați butonul Program pentru a selecta setul potrivit în funcție de obiceiurile dvs. de utilizare, seturile se vor schimba în următoarea secvență: D1->D2->D3->D4->D5->D1. Cu cât numărul este mai mare, cu atât mai mult agent de clătire folosește mașina de spălat vase.
4. Apăsați butonul de pornire pentru a încheia configurarea modelului.

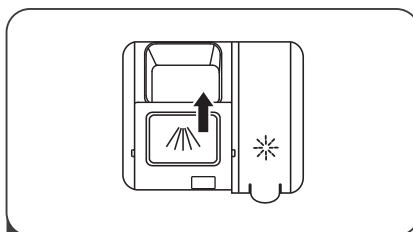
Umplerea dozatorului de detergent



1. Alegeți un mod conform situației.
 1. Deschideți capacul glisând opritorul.
 2. Deschideți capacul apăsând opritorul în jos.



2. Adăugați detergent în cavitatea mai mare (A) pentru ciclul de spălare principal. Pentru un rezultat mai bun, în special pentru obiectele foarte murdare, turnați o cantitate mică de detergent pe ușă. Detergentul suplimentar se va activa în faza de prespălare.



3. Închideți ușița apăsând în jos.







NOTĂ

- În funcție de murdăria din apă, setările pot fi diferite.
- Atenție la recomandările producătorului de pe ambalajul detergentului.

Tabel cicluri de spălare

Taboul de mai jos arată care programe sunt cele mai bune pentru nivelurile de reziduuri alimentare de pe ele și cât de mult detergent este nevoie. De asemenea, arată diverse informații despre programe. Valorile de consum și durata programului sunt doar orientative, cu excepția programului ECO.

● Indică că programul folosește agent de clătire la ultima clătire.

Program	Descriere ciclu	Detergent Pre/Main	Rulare Timp (min)	Energie (Kwh)	Apă (L)	Agent clătire
 Auto	Pre-wash(45°C) Autowash(55-65°C) Rinse Auto rinse(60-65°C) Drying	$\frac{4}{18g}$ (1 or 2 tabs)	85-150	0.921-1.302	10.0-15.0	●
 Intensive	Pre-wash(50 °C) Wash(65 °C) Rinse Rinse(65 °C) Drying	$\frac{4}{18g}$ (2 tabs)	205	1.579	18.0	●
 Universal	Pre-wash(45 °C) Wash(55 °C) Rinse Rinse(65 °C) Drying	$\frac{4}{18g}$ (2 tabs)	175	1.268	13.8	●
ECO (*EN60436)	Wash(45 °C) Rinse Rinse(60 °C) Drying	$\frac{22g}{(2\ tabs)}$	230	0.951	10.0	●
 Glass	Pre-wash Wash(50 °C) Rinse Rinse(65 °C) Drying	$\frac{4}{18g}$ (2 tabs)	120	1.094	14.1	●
 90 Min	Wash(60 °C) Rinse Rinse(65 °C) Drying	$\frac{22g}{(2\ tabs)}$	90	1.079	11.7	●
 Rapid	Wash (50 °C) Rinse Rinse (45 °C)	$\frac{20g}{(1\ tab)}$	30	0.731	11.2	○



ECO (*EN 60436)

Programul ECO este adecvat pentru spălarea vaselor cu grad de murdărie normal. Este cel mai eficient program în ceea ce privește consumul de apă și energie și respectă legislația UE ecodesign.

Economisirea energiei

- Clătirea prealabilă a veselei duce la un consum crescut de apă și energie și nu este recomandată.
- Spălarea veselei într-o mașină de spălat vase de uz casnic consumă de obicei mai puțină energie și apă în faza de utilizare decât spălarea manuală a vaselor atunci când mașina de spălat vase de uz casnic este folosită conform instrucțiunilor.

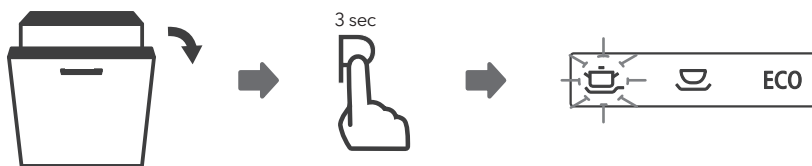
Pornirea unui ciclu de spălare

1. Scoateți coșul inferior și superior, încărcați vasele și împingeți-le înapoi. Este recomandabil să încărcați mai întâi coșul inferior, apoi cel superior.
2. Turnați detergentul.
3. Introduceți ștecherul în priză. Alimentarea este la ultima pagină „Fișă produs”. Asigurați-vă că alimentarea cu apă este pornită la presiune maximă.
4. Închideți ușa, apăsați butonul de pornire pentru a porni mașina.
5. Alegeți un program, lumina de răspuns se va aprinde. Apoi apăsați butonul Start/Pauză, mașina de spălat vase își va începe ciclul.

Schimbarea programului în timpul unui alt program

Un ciclu de spălare poate fi schimbat doar dacă a funcționat pentru o perioadă scurtă de timp, în caz contrar, detergentul a fost deja eliberat și mașina de spălat vase a alimentat deja apa de spălare. Dacă acesta este cazul, mașina de spălat vase trebuie resetată și dozatorul de detergent trebuie reumplut. Pentru a reseta mașina de spălat vase, urmați instrucțiunile de mai jos:

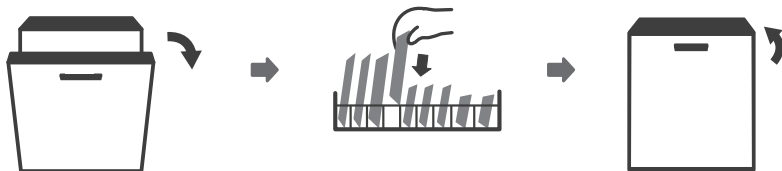
1. Apăsați butonul Start/Pauză pentru a întrerupe spălarea.
2. Apăsați butonul Program mai mult de trei secunde, aparatul va fi în modul de selectare a programului.
3. Puteți schimba programul la setarea ciclului dorită.



Ați uitat să puneți un vas în mașină?

Un vas uitat poate fi adăugat oricând înainte ca dozatorul de detergent să se deschidă. Dacă acesta este cazul, urmați instrucțiunile de mai jos:

1. Apăsați butonul Start/Pauză pentru a întrerupe spălarea.
2. După ce brațele de pulverizare au încetat să funcționeze, puteți deschide ușa complet.
3. Adăugați vasele uitate.
4. Închideți ușa.
5. Apăsați butonul Start/Pauză după 10 secunde, mașina de spălat vase va porni.



Este periculos să deschideți ușa în timpul ciclului de spălare, deoarece aburul vă poate arde.

CODURI DE EROARE

În cazul unei defecțiuni, mașina de spălat vase va afișa următoarele coduri:

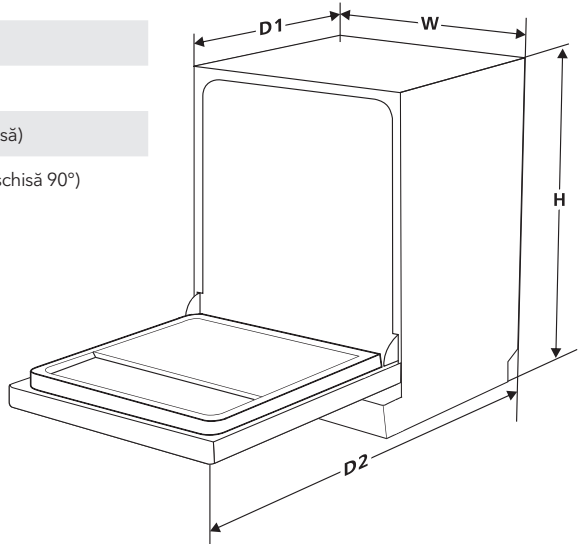
Cod	Înțeles	Cauză
E1	Perioadă mai lungă de admisie.	Robinetul nu este deschis sau este oprită admisia apei sau presiunea apei este prea scăzută.
E3	Nu atinge temperatura dorită.	Defecțiune a elementului de încălzire.
E4	Preaplin.	Un element al mașinii are scurgeri.
Ed	PCB principal nu comunică cu afișajul PCB.	Deschideți circuitul sau întrerupeți cablajul pentru comunicare.

⚠ ATENȚIE!

- Dacă se produce preaplin, opriți alimentarea principală cu apă înainte de a apela un service.
- Dacă există apă în tava de bază din cauza unui preaplin sau a unei scurgeri mici, apa trebuie îndepărtată înainte de a reporni mașina de spălat vase.
- Dacă există un cod de eroare care nu poate fi rezolvat, vă rugăm să solicitați asistență profesională.

INFORMAȚII TEHNICE

Înălțime (H)	815 mm
Lățime (W)	598 mm
Adâncime (D1)	550 mm (cu ușa închisă)
Adâncime (D2)	1175 mm (cu ușa deschisă 90°)



Fișă cu informații despre produs

REGULAMENTUL DELEGAT (UE) 2019/2017 AL COMISIEI cu privire la etichetarea energetică a mașinilor de spălat vase de uz casnic

Denumirea sau marca comercială a furnizorului: Tesla

Adresa furnizorului: Tesla Electronics, Litijska 47, 1000 Ljubljana, SI

Identificatorul de model: WDI690M

Parametrii generali ai produsului:

Parametru	Valoare	Parametru	Valoare	
Capacitatea nominală ^(a) (ps)	14	Dimensiuni în cm	Înălțime	815
			Lățime	598
			Adâncime	550
EEI ^(a)	55,9	Clasa de eficiență energetică ^(a)	E	
Indicele de performanță a curățării ^(a)	1,125	Indicele de performanță a uscării ^(a)	1,065	
Consumul de energie în kWh [per ciclu], pe baza programului eco cu alimentare cu apă rece. Consumul real de energie va depinde de modul de utilizare a aparatului.	0,951	Consumul de apă în litri [per ciclu], pe baza programului eco. Consumul real de apă va depinde de modul de utilizare a aparatului și de duritatea apei.	10,0	
Durata programului ^(a) (h:min)	3:50	Tip	Încorporat	
Emisiile de zgomot transmis prin aer ^(a) dB(A) re 1 pW	44	Clasa emisiilor de zgomot transmis prin aer ^(a)	B	
Modul oprit (W) (dacă este cazul)	0,49	Modul standby (W) (dacă este cazul)	-	
Pornire întârziată (W) (dacă este cazul)	0,27	Standby în rețea (W) (dacă este cazul)	-	

Durata minimă a garanției oferite de furnizor: 24 luni

Informații suplimentare:

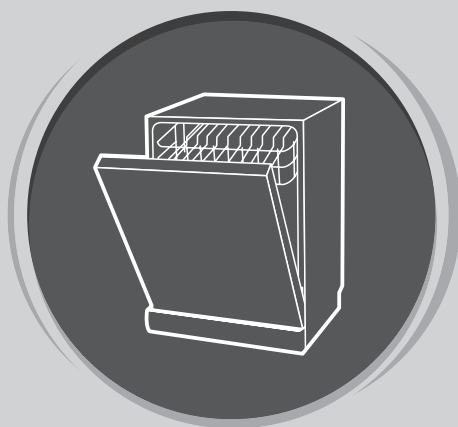
Link către site-ul web al furnizorului, unde se găsesc informațiile de la punctul 6 din anexa II la Regulamentul (UE) 2019/2022 al Comisiei: tesla.info

^(a) pentru programul eco.

Eliminare



- Pentru eliminarea ambalajului și a aparatului, vă rugăm să mergeți la un centru de reciclare. Oprțiți cablul de alimentare și faceți inutilizabil dispozitivul de închidere a ușii.
- Ambalajele din carton sunt fabricate din hârtie reciclată și trebuie aruncate într-un coș de colectare a deșeurilor de hârtie pentru reciclare.
- Asigurându-vă că acest produs este eliminat corect, veți contribui la prevenirea potențialelor consecințe negative asupra mediului și sănătății umane, care ar putea fi cauzate de manipularea necorespunzătoare a deșeurilor a acestui produs.
- Pentru informații mai detaliate despre reciclarea acestui produs, vă rugăm să contactați biroul local și serviciul de eliminare a deșeurilor menajere.
- **ELIMINARE: Nu aruncați acest produs ca deșeurii municipale nesortate. Este necesară colectarea separată a acestor deșeurii pentru tratare specială.**



POMIVALNI STROJ

Uporabniški
priročnik

DEL I: GENERIČNA RAZLIČICA

Pred uporabo pomivalnega stroja natančno preberite ta priročnik in ga shranite, da vam bo v pomoč v prihodnje.

NAVODILA GLEDE VARNOSTI

OPOZORILO!

Ko uporabljate pomivalni stroj, upoštevajte spodaj navedene previdnostne ukrepe:

- Namestitvev in popravila lahko izvaja samo pooblaščen tehnik.
- Ta aparat je predviden za uporabo v gospodinjstvu in temu podobnih okoljih, kot so
 - kuhinje za osebje v trgovinah, pisarnah in drugih delovnih okoljih,
 - kmetije,
 - hoteli, moteli in nastanitve drugih vrst, kjer je ta aparat na voljo gostom, ter
 - nastanitve z nočitvijo in zajtrkom.
- Ta aparat lahko uporabljajo otroci, stari 8 in več let, ter osebe s telesnimi, senzoričnimi ali duševnimi okvarami ali pa osebe brez izkušenj in znanja, če so pod nadzorom ali pa so jim bila podana navodila za za varno uporabo aparata in če razumejo nevarnosti, povezane z njegovo uporabo. Otroci se z aparatom ne smejo igrati.
- Brez nadzora otroci aparata ne smejo čistiti in ga vzdrževati. (Za standard EN60335-1.)
- Ta aparat ni namenjen osebam (vključno z otroki) s telesnimi, senzoričnimi ali duševnimi okvarami ali pa osebam brez izkušenj in znanja, razen če so pod nadzorom osebe, ki je odgovorna za njihovo varnost, ali pa jim je ta oseba podala navodila za uporabo aparata. (Za standard IEC60335-1.)
- Embalaža je otrokom lahko nevarna! Ta aparat je namenjen le uporabi v notranjih prostorih gospodinjstva.
- Zaradi zaščite pred tveganjem električnega udara ePOMBA, kabla ali vtiča ne potaplajte v vodo ali druge tekočine. Pred čiščenjem in vzdrževanjem aparat odklopite.
- Čistite ga z mehko krpo, namočeno v blago milnico, nato pa ga znova obrišite s suho krpo.

Navodila za ozemljitev

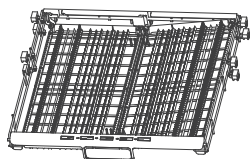
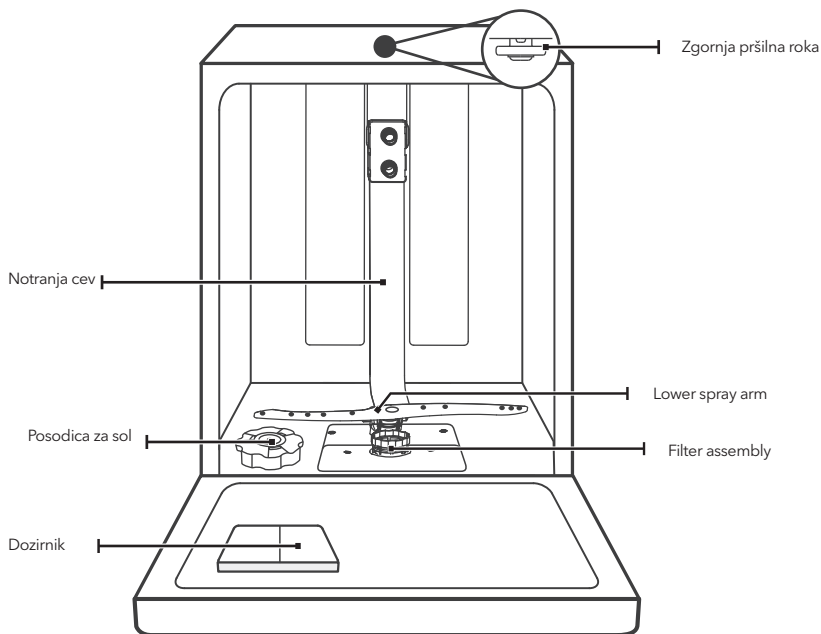
- Ta aparat mora biti ozemljen. Če se pojavi nepravilno delovanje ali okvara, bo zaradi ozemljitve zmanjšano tveganje električnega udara, saj za električni tok predstavlja pot najmanjšega upora. Ta aparat je opremljen v vtičem ozemljitvenega prevodnika.
- Vtič mora biti priklopljen v ustrezno vtičnico, ki je nameščena in ozemljena v skladu z vsemi lokalnimi zakoni in predpisi.
- Če je ozemljitveni prevodnik napačno povezan, se lahko pojavi tveganje električnega udara.
- Če ne veste, ali je aparat ustrezno ozemljen, se posvetujte s kvalificiranim servisnim zastopnikom.
- Če se vtič, ki je priložen aparatu, ne prilega vtičnici, ga ne spreminjajte.

- Kvalificirani električar naj namesti ustrezno vtičnico.
- Pomivalnega stroja ne uporabljajte na napačen način ter ne sedite in ne stojte na vratih ali na odcejalniku.
- Pomivalnega stroja ne uporabljajte, dokler vse plošče ohlaja niso pravilno nameščene.
- Med delovanjem pomivalnega stroja vrata odpirajte zelo previdno, saj lahko ven pljuskne voda.
- Ko so vrata odprta, nanje ne postavljajte nobenih težkih predmetov in ne stojte na njih. Aparat bi se lahko nagnil naprej ali prevrnil.
- Pri nalaganju posode, ki bo pomita:
 1. poiščite ostre predmete in jih namestite tako, da ne bodo poškodovali tesnila na vratih.
 2. Opozorilo: Nože in drug kuhinjski pribor je treba v košaro naložiti tako, da so njihove konice obrnjene navzdol ali da je pribor položen vodoravno.
- Nekateri detergenti za pomivalne stroje so močno bazični. Pri zaužitju so lahko izjemno nevarni. Ko so vrata pomivalnega stroja odprta, preprečujte stik s kožo in očmi ter otrokom ne dovolite zadrževanja v bližini aparata.
- Po koncu cikla pomivanja preverite, ali je posoda za detergent v prahu prazna.
- Ne perite plastičnih predmetov, razen če so označeni kot „**varni za pomivanje v pomivalnem stroju**“ ali z enakovredno oznako.
- Pri plastičnih predmetih brez te oznake preverite priporočila proizvajalca.
- Uporabljajte samo detergente in sredstva za splakovanje, ki so priporočena za uporabo v samodejnem pomivalnem stroju.
- V pomivalnem stroju nikoli ne uporabljajte mila, detergenta za perilo ali mila za umivanje rok.
- Vrat ne smete pustiti odprtih, ker bi se s tem povečalo tveganje, da se aparat prevrne.
- Če je napajalni kabel poškodovan, ga mora zaradi preprečevanja nevarnosti zamenjati proizvajalec, proizvajalčev pooblaščen servisier ali podobno usposobljena oseba.
- Med namestitvijo napajalnega kabla ne smete prekomerno ali nevarno zviti ali sploščiti.
- Ne posegajte v kontrolnike.
- Aparat je treba priklopiti na glavni ventil za vodo z novim kompletom gibkih cevi. Starih kompletov ne smete uporabiti znova.
- Za varčevanje z energijo se bo aparat v načinu pripravljenosti samodejno izklopil, če 15 minut ne bo deloval.
- Največje število položajev za odlaganje umazane posode je 14.
- Največji dovoljeni tlak dovedene vode znaša 1 MPa.
- Najmanjši dovoljeni tlak dovedene vode znaša 0,04 MPa.

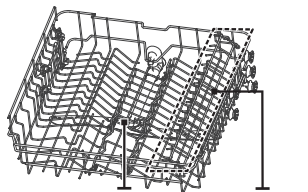
PREGLED IZDELKA

! POMEMBNO

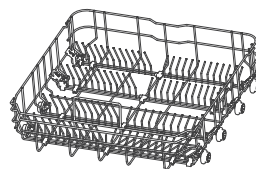
Da bo pomivalni stroj čim bolje deloval, pred prvo uporabo preberite vsa navodila za upravljanje.



Odcejalnik za jedilni pribor



Zgornja pršilna roka
Zgornja košara
Odcejalnik za skodelice



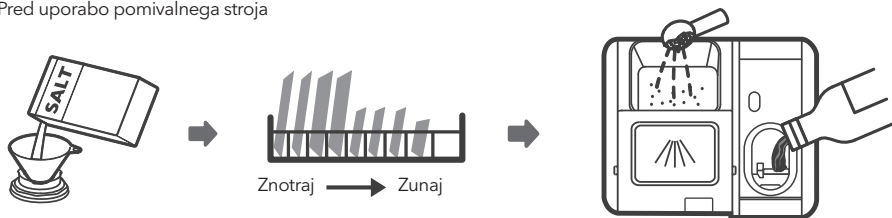
Spodnja košara

☰ OPOMBA

Slike so namenjene le ponazoritvi; drugi modeli so lahko drugačni. Glejte videz svojega izdelka.

UPORABA POMIVALNEGA STROJA

Pred uporabo pomivalnega stroja



1. Nastavite mehčalec vode.
2. Vsujte sol v predelek za mehčanje.
3. Nalaganje v košaro
4. Polnjenje dozirnika za detergent

OPOMBA

Če morate nastaviti mehčalec vode, preverite razdelek 1, „Mehčalec vode“, v DELU II: Posebna različica.

Sipanje soli v mehčalec

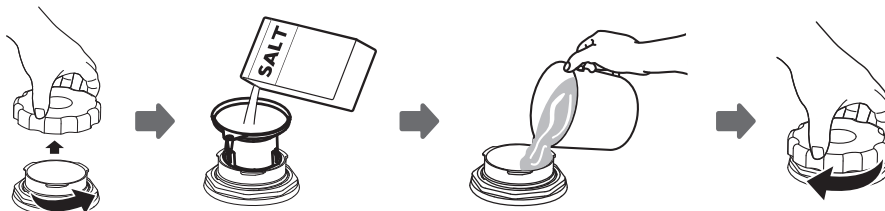
OPOMBA

Če pri vašem modelu ni nobenega predelka za mehčanje vode, ta razdelek lahko preskočite. Vedno uporabljajte sol, ki je namenjena za uporabo pri pomivalnem stroju. Posodica za sol je pod spodnjo košaro in jo je treba napolniti po naslednjih navodilih:

! OPOZORILO!

- **Uporabljajte samo sol, ki je posebej zasnovana za uporabo pri pomivalnem stroju!**
Katera koli druga vrsta soli, ki ni posebej zasnovana za uporabo pri pomivalnem stroju, zlasti kuhinjska sol, bo poškodovala predelek za mehčanje vode. Če bi pri uporabi neprimerne soli prišlo do škode, proizvajalec ne daje nobene garancije in ni odgovoren za nobeno povzročeno škodo.
- **Polnitev s soljo izvedite pred zagonom cikla.**
S tem boste preprečili, da bi morebitna zrna soli ali slana voda, ki bi se polila, nekaj časa ostala na dnu stroja, zaradi česar bi lahko prišlo do korozije.

Za dodajanje soli v pomivalni stroj sledite spodnjim korakom:



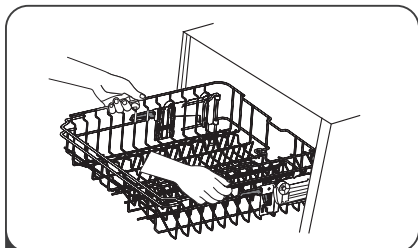
1. Odstranite spodnjo košaro in odvijte pokrovček rezervoarja.
2. Konec merilnega lijaka (priloženega) postavite v odprtino in vsujte približno 1,5 kg soli za pomivalni stroj.
3. Posodico za sol do najvišje meje napolnite z vodo; normalno je, da bo iz posodice za sol izteklo nekaj vode.
4. Po polnjenju posodice trdno privijte pokrovček nazaj.
5. Ko bo posodica za sol napolnjena s soljo, se bo opozorilna lučka za sol izklopila.
6. Takoj po polnjenju posodice za sol s soljo je treba zagnati program pomivanja (priporočamo kratki program). V nasprotnem primeru lahko slana voda poškoduje sistem filtrov, črpalko ali druge pomembne dele. S tem bo garancija izničena.

OPOMBA

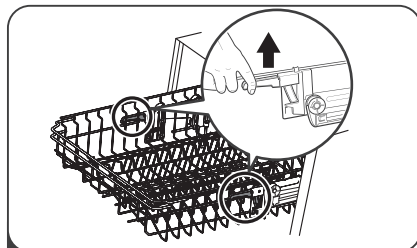
- Posodico za sol ponovno napolnite le, ko se vklopi opozorilna lučka za sol (☹) na nadzorni plošči. Opozorilna lučka lahko tudi po polnjenju posodice za sol še vedno gori, odvisno od tega, kako dobro se je sol raztopila.
- Če na nadzorni plošči ni opozorila za sol (pri nekaterih modelih), lahko ocenite, kdaj dodati sol v mehčalec, glede na število ciklov, ki jih je izvedel pomivalni stroj.
- Če se sol polije, zaženite program vpijanja ali hitri program, da jo odstranite.

Nasveti za polnjenje košar

Prilagajanje zgornje košare



- 1** Da dvignete zgornjo košaro, jo primite na sredini vsake strani in jo dvigujte, dokler se ne zaskoči v višji položaj. Ni vam treba dvigati ročaja za prilagajanje.



- 2** Da spustite spodnjo košaro, dvignite ročaja za prilagajanje na vsaki strani, da sprostite košaro in jo spustite v nižji položaj.

Zlaganje odcejalnika za skodelice

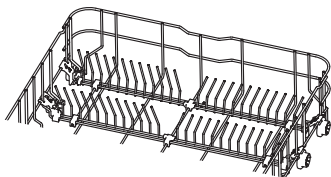
Da boste v košari pomivalnega stroja imeli več prostora za višje predmete, dvignite odcejalnik za skodelice navzgor. Nato lahko nanj naslonite visoke kozarce. Če ga ne potrebujete, ga lahko tudi odstranite.



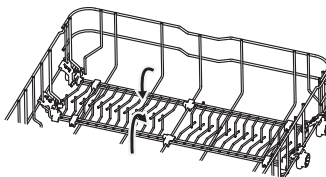
Zlaganje konic odcejalnika

Konice so namenjene držanju krožnikov in pladnjev. Da pridobite več prostora za večje predmete, jih lahko znižate.

dvignite navzgor



zložite nazaj



VZDRŽEVANJE IN ČIŠČENJE

Nega zunanosti

Vrata in tesnilo vrat

Tesnilo vrat redno čistite z mehko vlažno krpo, da odstranite ostanke hrane. Ko nalagate v pomivalni stroj, lahko na stranske dele vrat pomivalnega stroja kapljajo ostanki živil in pijač. Te površine so zunaj odprtine za pomivanje in jih voda iz pršilnih rok ne doseže. Preden zaprete vrata, morate obrisati morebitne ostanke.

Nadzorna plošča

Če je potrebno čiščenje, lahko nadzorno ploščo brišete SAMO z mehko vlažno krpo.

⚠ OPOZORILO!

- Da preprečite vdor vode v zaklep vrat in električne sestavne dele, ne uporabljajte nobenih čistil v obliki razpršila.
- Na zunanjih površinah nikoli ne uporabljajte abrazivnih čistil ali gobic, saj lahko opraskajo zaključni premaz. Površino lahko opraskajo ali pa na njej pustijo madeže tudi nekatere papirnate brisače.

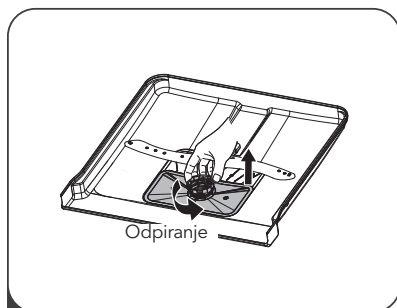
Nega notranosti

Sistem filtriranja

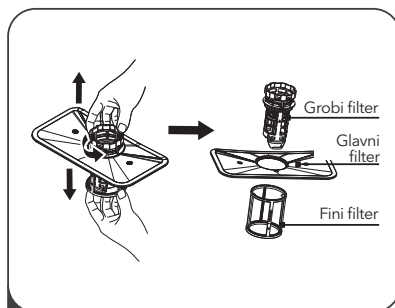
Sistem filtriranja na dnu odprtine za pomivanje zadržuje grobo umazanijo, ki se nabere med ciklom pomivanja, vključno s tujki, kot so zobotrebci ali črepinje. Zaradi zbrane grobe umazanije se filtri lahko zamašijo. Redno preverjajte stanje filtrov, previdno odstranite tujke in dele sistema filtriranja po potrebi očistite z vodo. Za čiščenje filtra sledite spodnjim korakom.

☰ OPOMBA

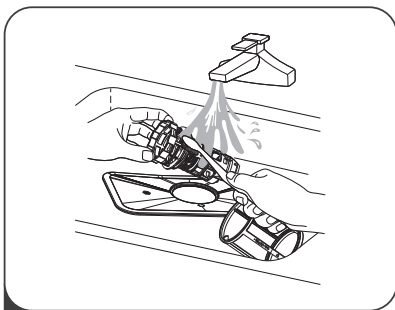
Slike so namenjene samo ponazoritvi; drugi modeli sistema filtriranja in pršilnih rok so lahko drugačni. Glejte videz svojega izdelka.



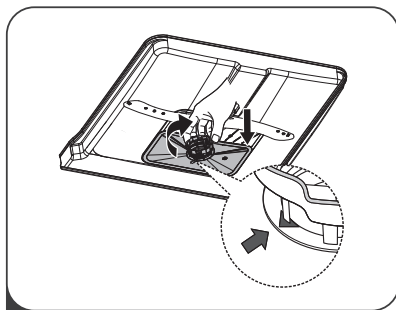
- 1 Primite grobi filter in ga zavrtite v nasprotni smeri urnega kazalca, da ga sprostite. Dvignite filter navzgor in ga vzemite iz pomivalnega stroja.



- 2 Fini filter lahko povlečete z dna sklopa filtra. Grobi filter lahko ločite od glavnega filtra tako, da nežno stisnete jezičke na vrhu in ga povlečete stran.



3 Večje ostanke hrane lahko odstranite tako, da filter splaknete pod tekočo vodo. Za temeljitejše čiščenje uporabite mehko čistilno krtačko.



4 Filter znova sestavite po korakih, ki jih izvedete v nasprotnem vrstnem redu kot pri razstavljanju, znova namestite vložek filtra in obrnite v smeri urnega kazalca, ki jo kaže puščica.

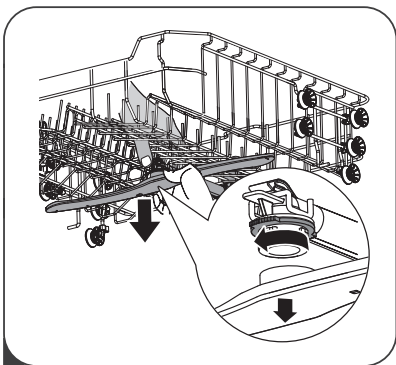
! OPOZORILO!

- Filterv ne zategujte premočno. Filtrve zaporedoma trdno namestite nazaj, sicer bi groba umazanija lahko vstopila v sistem in ga blokirala.
- Pomivalnega stroja NIKOLI ne uporabljajte brez nameščenih filtrov. Zaradi nepravilne zamenjave filtrov bi se lahko zmanjšala zmogljivost delovanja aparata, posode in pribor pa bi se poškodovali.

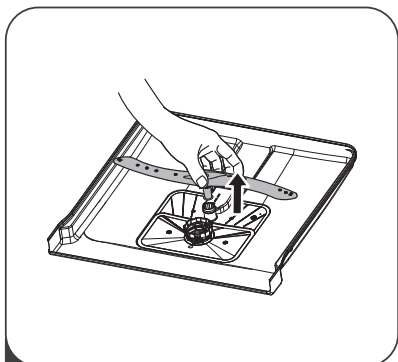
Pršilne roke

Zaradi trdih šob in ležajev morate pršilne roke redno čistiti.

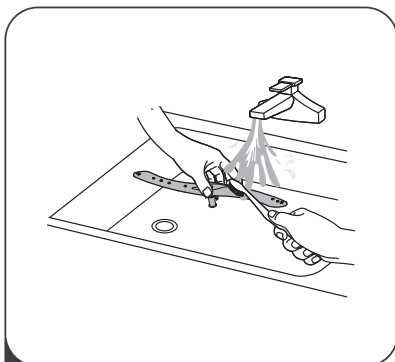
Za čiščenje pršilnih rok sledite navodilom:



1 Da odstranite zgornjo pršilno roko, primite matico na sredini in jo držite na mestu, nato pa zavrtite pršilno roko v nasprotni smeri urnega kazalca, da jo odstranite.



2 Da odstranite spodnjo pršilno roko, jo povlecite navzgor.



3 Roke operite v topli milnici in šobe očistite z mehko krtačko. Ko jih temeljito splaknete, jih znova namestite.

Nega pomivalnega stroja

Previdnostni ukrepi proti zamrzovanju

Pozimi zavarujte pomivalni stroj proti zamrzovanju. Po vsakem ciklu pomivanja naredite naslednje:

1. Odklopite napajanje pomivalnega stroja pri viru napajanja.
2. Odklopite dovod vode in cev za dovod vode z ventila za vodo.
3. Izpustite vodo iz dovodne cevi in ventila za vodo. (Vodo zberite v posodi.)
4. Ponovno priključite cev za dovod vode na ventil za vodo.
5. Odstranite filter na dnu pomivalne odprtine in z gobo popivajte vodo v zbiralniku.

Po vsakem pomivanju

Po vsakem pomivanju odklopite dovod vode v aparat in vrata nekaj časa pustite priprta, tako da se v notranjosti ne bodo nabirale vlaga in vonjave.

Odstranite vtič.

Pred čiščenjem ali vzdrževanjem vedno odstranite vtič iz vtičnice.

Brez topil ali abrazivnega čiščenja

Za čiščenje zunanosti in gumijastih delov pomivalnega stroja ne uporabljajte topil ali abrazivnih čistil. Uporabljajte samo krpo, namočeno v toplo milnico.

Za odstranjevanje pik ali madežev z notranje površine uporabite krpo, namočeno v vodo in nekaj kisa, ali čistilno sredstvo, izdelano posebej za pomivalne stroje.

Pri dolgotrajni neuporabi

Priporočljivo je, da zaženete cikel pomivanja s praznim pomivalnim strojem, nato pa vtič odklopite iz vtičnice, odklopite dovod vode in pustite vrata pomivalnega stroja rahlo priprta. Tako bodo tesnila na vratih dlje obstojna, v notranjosti aparata pa se ne bodo nabirale vonjave.

Premikanje aparata

Če je treba aparat premakniti, ga poskusite obdržati v navpičnem položaju. Če je zares nujno, ga je mogoče položiti na hrbtno stran.

Tesnila

Eden od razlogov, zakaj se v pomivalnem stroju nabirajo vonjave, je ta, da v tesnilih ostajajo ujeti delčki hrane. To preprečite z rednim čiščenjem z vlažno gobico.

NAVODILA ZA NAMESTITEV

OPOZORILO!



Nevarnost električnega udara

Pred namestitvijo pomivalnega stroja odklopite električno napajanje. V nasprotnem primeru lahko pride do smrti ali električnega udara.

POZOR!

Cevi in električno opremo morajo namestiti strokovnjaki.

Več o priklopu napajanja

OPOZORILO!

- Za osebno varnost:
- Pri tem aparatu ne uporabljajte podaljška ali vtiča adapterja.
- Pod nobenim pogojem ne odrežite ali odstranite ozemljitvenega priključka z napajalnega kabla.

Zahteve v zvezi z elektriko

Oglejte si oznako z nazivnimi podatki, da boste izvedeli, kakšna je nazivna napetost, in priklopite pomivalni stroj na ustrezno napajanje. Uporabljajte zahtevano varovalko 10A/13A/16A, varovalko s časovno zakasnitvijo ali priporočeni odklopnik tokokroga in poskrbite za ločeni tokokrog, ki bo napajal samo ta aparat.

Električni priključek

Poskrbite, da bosta napetost in frekvenca napajanja ustrezali vrednostim na ploščici z nazivnimi vrednostmi. Vtič priklopite samo na električno vtičnico, ki je pravilno ozemljena. Če električna vtičnica, v katero je treba priklopiti aparat, ni primerna za vtič, zamenjajte vtičnico in ne uporabljajte adapterjev ali podobnega, saj bi to lahko povzročilo pregrevanje in opekline.

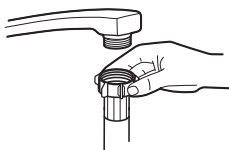
⚠ Pred uporabo se prepričajte, da obstaja pravilna ozemljitev.

Dovod in odtok vode

Priklop hladne vode

Priklopite gibko cev za dovod vode na navojni 3/4-palčni priključek in poskrbite, da bo trdno privita na svoje mesto.

Če so vodovodne cevi nove ali če dlje časa niso bile v uporabi, pustite, naj voda nekaj časa teče in se tako prepričajte, da je čista. Ta previdnostni ukrep je potreben, da preprečite tveganje blokade dovoda vode in poškodb aparata.



Navadna gibka dovodna cev



Varnostna gibka dovodna cev

Več o gibki varnostni cevi za dovod vode

Varnostna gibka dovodna cev je sestavljena iz dvojnih sten. Sistem gibke cevi zagotavlja posredovanje z blokiranjem pretoka vode, če se gibka dovodna cev zlomi in če je prostor za zrak med samo gibko dovodno cevjo in zunanjo valovito cevjo poln vode.

⚠ OPOZORILO!

Cev, ki je priklopljena na pipo, lahko počí, če je nameščena na isto vodno cev kot pomivalni stroj. Če jo pomivalno korito ima, je gibko cev priporočeno odklopiti in odprtino zapreti s čepom.

Kako priklopiti varnostno gibko cev

1. Varnostne gibke cevi v celoti izvlecite iz predelka za shranjevanje na zadnji strani pomivalnega stroja.
2. Privijte vijake varnostne gibke cevi na pipo s 3/4-palčnim navojem.
3. Pred zagonom pomivalnega stroja odprite vodo do konca.

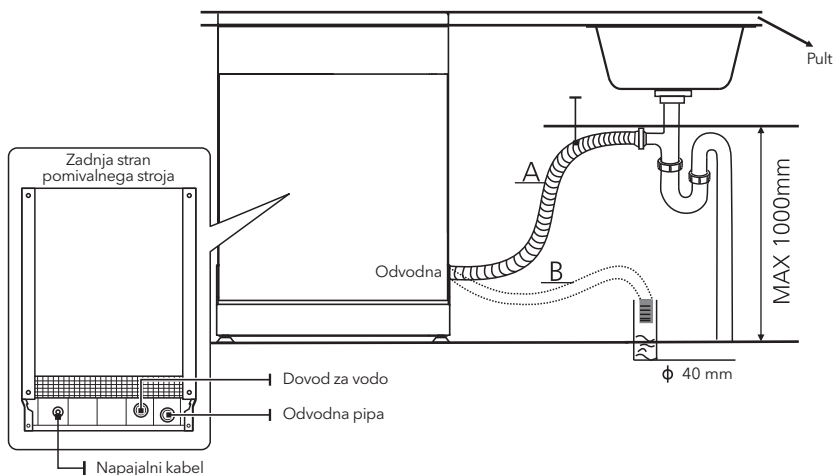
Kako odklopiti varnostno gibko cev

1. Odklopite vodo.
2. Odvijte varnostno gibko cev s pipe.

Priklop odvodnih cevi

Vstavite odvodno cev v odvodno pipo s premerom najmanj 4 cm ali pa jo speljite v pomivalno korito, pri čemer poskrbite, da je ne boste zvili ali stisnili. Višina odvodne cevi mora biti manjša od 1000 mm. Da preprečite povratni tok, prosti konec gibke cevi ne sme biti potopljen v vodo.

⚠ Odvodno cev trdno pritrdite v položaj A ali B



Kako odvesti odvečno vodo iz gibkih cevi

Če bi bil priključek odvodne cevi nameščen višje od 1000 mm, bi odvečna voda lahko ostala v odvodni cevi. Odvečno vodo boste morali odvesti iz gibke cevi v posodo ali primeren vsebnik, ki bo zunaj in bo nižji od pomivalnega korita.

Odvod vode

Priklopite odvodno cev za vodo. Da preprečite puščanje vode, mora biti odvodna cev pravilno nameščena. Prepričajte se, da odvodna cev ni prelomljena ali zmečkana.

Cevni podaljšek

Če za odvodno gibko cev potrebujete podaljšek, poskrbite, da boste uporabili podobno odvodno gibko cev. Ne sme biti daljša od 4 metrov, sicer bi bil učinek čiščenja pri pomivalnem stroju lahko slabši.

Priklop na sifon

Priključek na odpadno vodo mora biti na višini, nižji od 1000 mm (največ), merjeno od dna pomivalnega stroja.

Postavitev aparata

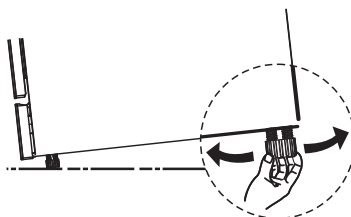
Postavite aparat na želeno mesto. Hrbtna stran mora biti naslonjena na steno za pomivalnim strojem, stranici pa morata biti vzdolž sosednjih omaric ali sten. Pomivalni stroj je opremljen z dovodom vode in odvodnimi cevmi, ki so lahko na desni ali levi strani, da je stroj lažje pravilno namestiti.

Izravnavanje aparata

Ko je aparat nameščen za izravnavanje, lahko višino pomivalnega stroja spremenite, tako da prilagodite navojno višino nožic. V vsakem primeru stroj ne sme biti nagnjen za več kot 2°.

OPOMBA

Uporabite le pri prostostojećem pomivalnem stroju.



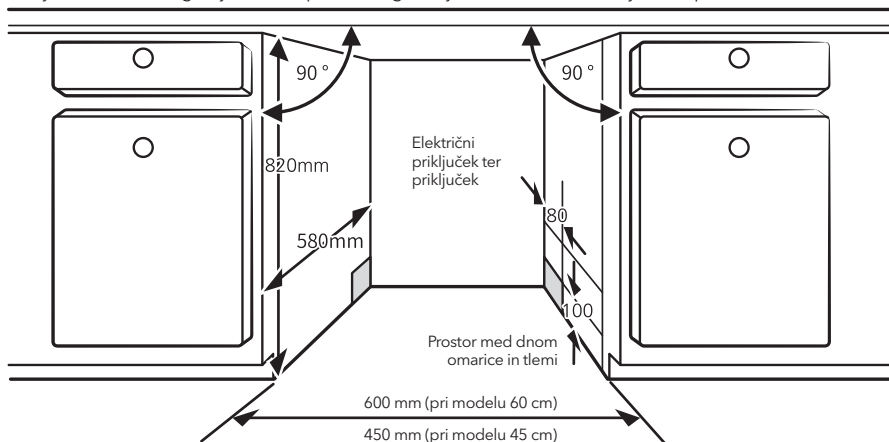
Vgrajena namestitev (za integrirani model)

Korak 1. Izbira najboljšega mesta za pomivalni stroj

Pomivalni stroj mora stati blizu obstoječe dovodne in odvodne cevi ter napajalnega kabla.

Slike mer omarice in mesto namestitve pomivalnega stroja.

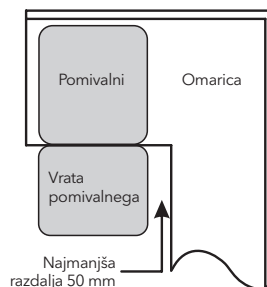
1. Manj kot 5 mm med zgornjim delom pomivalnega stroja in omarico ter zunanja vrata, poravnana z omarico.



2. Če je pomivalni stroj nameščen v kotu omarice, morate pustiti nekaj prostora za odpiranje vrat.

OPOMBA

Glede na to, kje je električna vtičnica, boste morali morda izrezati odprtino na nasprotni strani omarice.



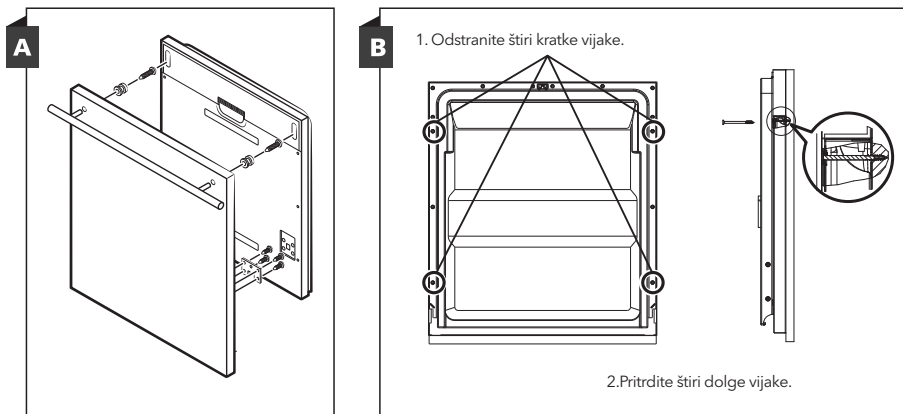
Korak 2. Mere in namestitvev okrasne plošče

OPOMBA

Okrasno leseno ploščo je mogoče obdelati glede na risbe namestitve.

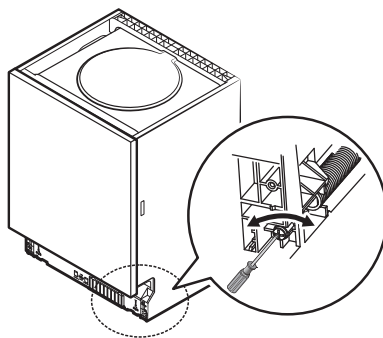
Popolnoma integrirani model

Na okrasna lesena vrata namestite nosilec in ga postavite v režo zunanjih vrat pomivalnega stroja (glejte sliko A). Ploščo po namestitvi pritrdite na zunanja vrata z vijaki in sorniki (glejte sliko B).



Korak 3. Prilagoditev napetosti vzmeti vrat

1. Vzmeti vrat so tovarniško nastavljene na pravilno napetost zunanjih vrat. Če je nameščena okrasna lesena plošča, boste morali napetost vzmeti vrat prilagoditi. Zavrtite prilagoditveni vijak, da boste napeli regulator ali sprostili jeklenico.
2. Napetost vzmeti vrat je pravilna, ko popolnoma odprta vrata ostanejo v vodoravnem položaju, a se zaprejo samo z rahlim pomikom prsta.

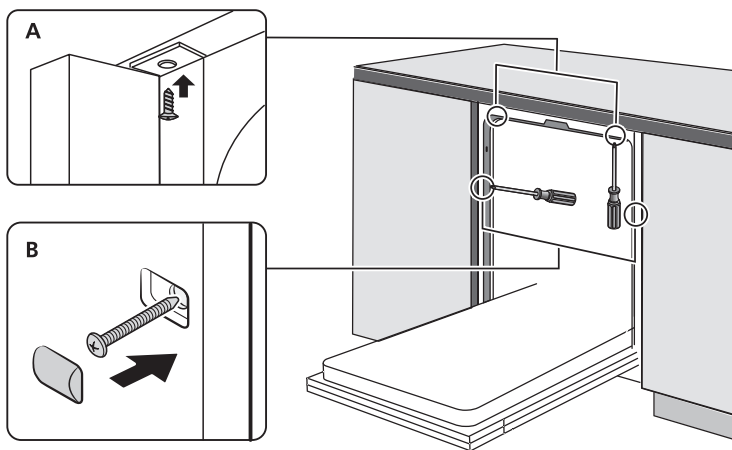


Korak 4. Koraki pri namestitvi pomivalnega stroja

OPOMBA

Glejte specifične korake namestitve na risbah namestitve.

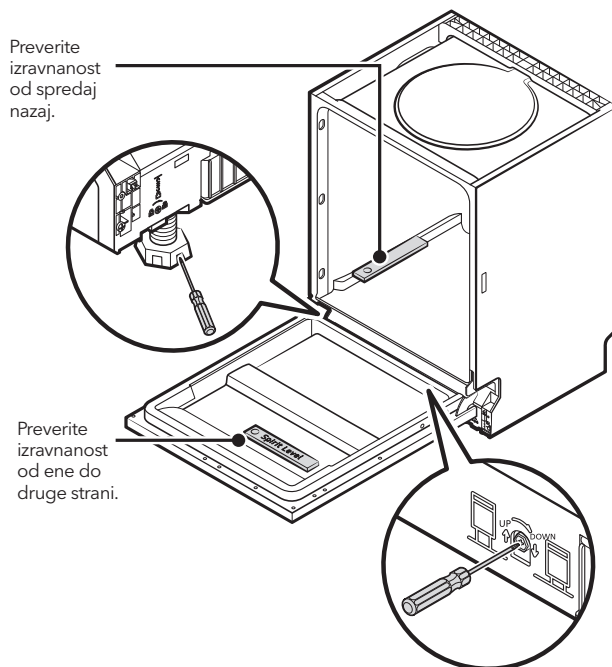
1. Pod delovno površino omarice pritrдите kondenzacijski trak. Poskrbite, da bo kondenzacijski trak poravnán z robom delovne površine. (Korak 2)
2. Priklopite dovodno gibko cev na dovod hladne vode.
3. Priklopite odvodno cev.
4. Priklopite napajalni kabel.
5. Postavite pomivalni stroj na njegovo mesto. (Korak 4)
6. Izravnajte pomivalni stroj. Zadnje nožice je mogoče prilagajati s sprednje strani pomivalnega stroja z obračanjem križnega vijaka na sredini dna pomivalnega stroja s križnim izvijačem. Za prilagoditev sprednje nožice uporabite ploski izvijač in obračajte sprednjo nožico, dokler pomivalni stroj ne bo izravnán. (Korak 5)
7. Namestite pohištvna vrata na zunanja vrata pomivalnega stroja.
8. Z imbusom prilagodite napetost vzmeti vrat, tako da ga obračate v smeri urnega kazalca, če želite zategniti levo in desno vzmet vrat. Če tega ne storite, se pomivalni stroj lahko poškoduje.
9. Pomivalni stroj mora biti pritrjen na svoje mesto. To lahko storite na dva načina:
 - A. Normalna delovna površina: V režo stranske ravnine postavite nosilec in ga na delovno površino pritrдите z vijaki za les.
 - B. Marmornati ali granitni pult: Pritrdite stranski del z vijakom.



Korak 5. Izravnavanje pomivalnega stroja

Za pravilno delovanje odcejalnikov posode in pomivanja mora biti pomivalni stroj izravnani.

1. Na vrata in vodila odcejalnika znotraj pomivalne odprtine namestite vodno tehtnico, kot je prikazano, da preverite, ali je pomivalni stroj izravnani.
2. Izravnajte pomivalni stroj, tako da prilagodite vsako od treh izravnalnih nožic posebej.
3. Ko je pomivalni stroj izravnani, pazite, da se ne bo prevrnili.



OPOMBA

Največja višina prilagoditve nožice znaša 50 mm.

NASVETI ZA ODPRAVLJANJE TEŽAV

Preden pokličete servis

Če pregledate informacije na naslednjih straneh, vam morda ne bo treba klicati servisa.

Težava	Možni vzroki	Rešitev
Pomivalni stroj se ne zažene.	Pregorela varovalka ali sprožen odklop tokokroga.	Zamenjajte varovalko ali ponastavite odklopnik tokokroga. Odstranite vse druge aparate, ki si s pomivalnim strojem delijo isto tokokrog.
	Napajanje ni vklopljeno.	Prepričajte se, da je pomivalni stroj vklopljen in da so vrata trdno zaprta. Prepričajte se, da je napajalni kabel pravilno priključen na stensko vtičnico.
	Vodni tlak je nizek.	Preverite, ali je dovod vode pravilno priključen in ali je voda odprta.
	Vrata pomivalnega stroja niso pravilno zaprta.	Poskrbite, da boste vrata pravilno zaprli in jih zapahnili.
Voda se ne črpa iz pomivalnega stroja.	Zvita ali ujeta gibka odvodna cev.	Preverite odvodno cev.
	Filter je zamašen.	Preverite sistem filtrov.
	Kuhinjsko pomivalno korito je zamašeno.	Preverite, ali voda iz kuhinjskega pomivalnega korita dobro odteka. Če je težava pri kuhinjskem pomivalnem koritu, ki ne požira, boste morda potrebovali vodovodnega instalaterja in ne serviserja pomivalnih strojev.
Pena v pomivalni odprtini	Napačen detergent.	Da preprečite penjenje, uporabljajte samo posebni detergent za pomivalni stroj. Če se to zgodi, odprite pomivalni stroj in pustite, da pena izhlapi. Na dno pomivalnega stroja dodajte 4 litre hladne vode. Zaprte vrata pomivalnega stroja in nato izberite kateri koli cikel. V začetku bo pomivalni stroj odvajal vodo. Ko bo faza odvajanja končana, odprite vrata in preverite, ali je pena izginila. Po potrebi ponovite.
	Polito sredstvo za izpiranje	Če se sredstvo za izpiranje polije, ga takoj obrišite.
V notranjosti pomivalne odprtine so madeži.	Morda je bil uporabljen detergent z barvilom.	Poskrbite, da detergent ne bo vseboval barvila.
Bela plast na notranji površini	Minerali iz trde vode.	Notranjost očistite z vlažno mehko krpo, namočeno v detergent za pomivalni stroj, in pri tem nosite gumijaste rokavice. Nikoli ne uporabljajte nobenega drugega čistilnega sredstva, razen detergenta za pomivalni stroj, saj bi lahko nastale pene.
Na jedilnem priboru so rjasti madeži.	Prizadeti kosi niso odporni na rjo.	V pomivalnem stroju ne pomivajte kosov, ki niso odporni na rjo.
	Po dodajanju soli za pomivalni stroj se program ni zagnal. Sol v sledih je vdrla v cikel pomivanja.	Po dodajanju soli vedno zaženite program za pomivanje, ne da bi v stroj dodali posodo. Ne izberite funkcije Turbo (če je prisotna).
	Pokrov mehčalca je odvit.	Preverite, ali je pokrov mehčalca trdno privit.

Težava	Možni vzroki	Rešitev
Zvok udarjanja v pomivalnem stroju	Pršilna roka udarja ob predmet v košari.	Prekinite program in premestite predmete, ki ovirajo pršilno roko.
Žvenketajoč zvok v pomivalnem stroju	Kosi posodja v pomivalnem stroju se prosto gibljejo.	Prekinite program in premestite posodje.
Zvok udarjanja v ceveh za vodo	Do tega lahko pride zaradi namestitve na mestu samem ali zaradi križanja cevi.	To ne vpliva na delovanje pomivalnega stroja. Če niste prepričani, se obrnite na usposobljenega vodovodnega instalaterja.
Posoda ni čista.	Posoda ni bila pravilno naložena.	Glejte opombe v razdelku „Nalaganje v pomivalni stroj in jemanje iz njega“.
	Program ni bil dovolj zmogljiv.	Izberite intenzivnejši program.
	Doziranega ni bilo dovolj detergenta.	Uporabite več detergenta ali pa zamenjajte detergent.
	Predmeti blokirajo premikanje pršilnih rok.	Premestite predmete, tako da se bodo pršilniki lahko prosto vrteli.
	Kombinacija filtrov ni čista ali pa na dnu odprtine za pomivanje ni pravilno nameščena. Zato se šobe pršilne roke lahko zamašijo.	Filter očistite in ga pravilno namestite. Očistite šobe pršilne roke.
Motnost steklene posode	Kombinacija mehke vode in prekomerne količine detergenta	Če imate mehko vodo, pri pomivanju steklene posode uporabljajte manj detergenta in izberite krajši cikel, da bo posoda čista.
Na posodi in kozarcih se pojavijo bele pike.	Na območjih s trdo vodo se lahko pojavijo usedline vodnega kamna.	Preverite nastavitve mehčalca vode ali stanja polnjenja posodice za sol.
Črni ali sivi madeži na posodi	Aluminijasti pribor se je drgnil ob posodo.	Te madeže odstranite z blago abrazivnim čistilnim sredstvom.
V dozirniku je ostal detergent.	Posoda blokira dozirnik detergenta.	Posodo znova naložite in naložite jo pravilno.
Posoda ni suha.	Neppravilno nalaganje	Če na posodi najdete detergent, uporabljajte rokavice, da preprečite draženje kože.
	Posodo ste prekmalu odstranili.	Pomivalnega stroja ne izpraznite takoj po pomivanju. Vrata malce odprite, da bo para lahko ušla ven. Posodo vzemite iz stroja, ko bo notranja temperatura dovolj padla, da se jo boste lahko dotaknili. Najprej izpraznite spodnjo košaro, da preprečite kapljanje vode iz zgornje košare.
Posoda ni suha.	Izbran je napačen program.	Pri kratkem programu je temperatura pomivanja nižja, zato je čiščenje manj učinkovito. Izberite program z dolgim časom pomivanja.
	Uporaba posodja z nekakovostnim premazom.	Pri teh predmetih je odvajanje vode težje. Posodje ali posoda te vrste ni primerna za pomivanje v pomivalnem stroju.

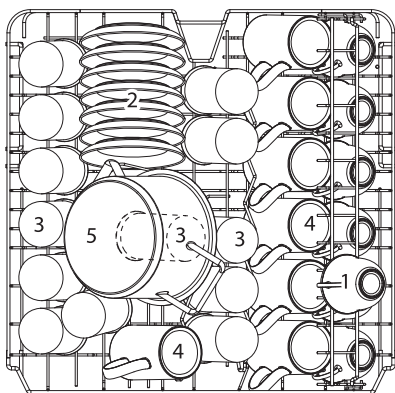
**OPOZORILO!**

Če bi aparat popravljali sami ali pa bi bil popravljen nestrokovno, bi se lahko pojavila resna tveganja za varnost uporabnika aparata, vplivalo pa bi tudi na garancijo.

NALAGANJE V KOŠARE PO STANDARDU EN60436

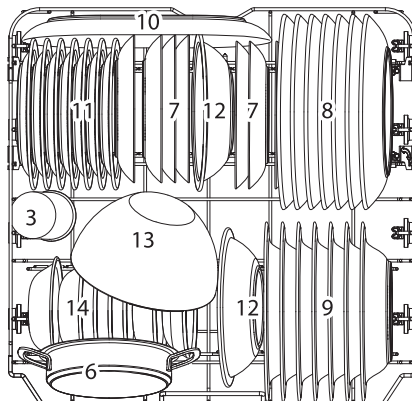
Če boste pomivalni stroj do konca napolnili, bo to prispevalo k prihrankom energije in vode.

1. Zgornja košara



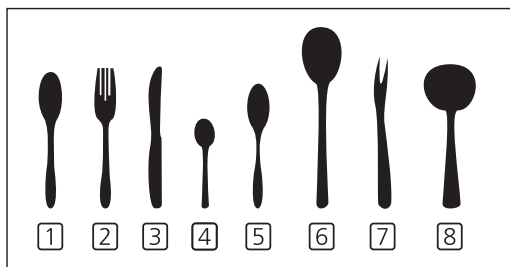
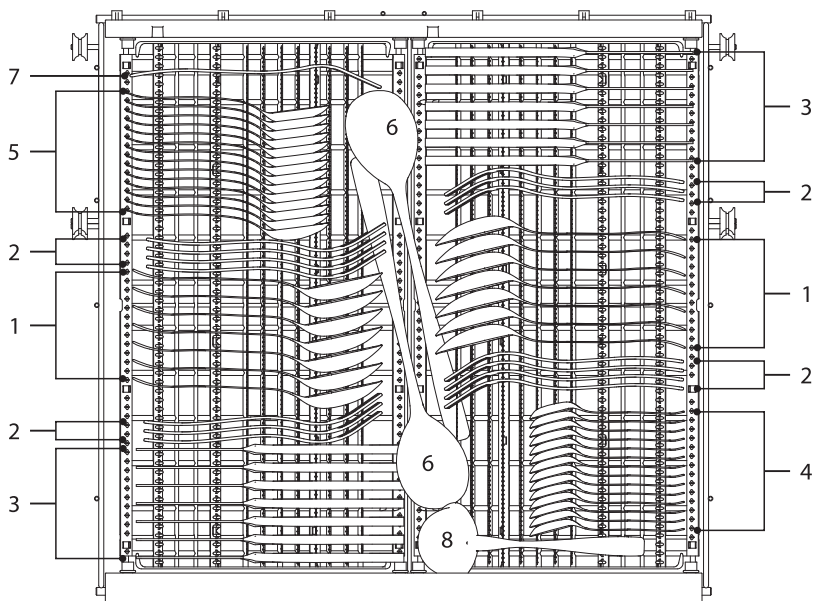
Številka	Element
1	Skodelice
2	Posode za omake
3	Kozarci
4	Lončki
5	Majhni lonci

2. Spodnja košara:



Številka	Element
6	Lonci za peko
7	Desertni krožniki
8	Krožniki
9	Jušni krožniki
10	Ovalni krožnik
11	Desertni krožniki iz melamina
12	Sklede iz melamina
13	Steklena posoda
14	Skledice za desert

3. Odcejalnik za pribor:



Številka	Element
1	Jušne žlice
2	Vilice
3	Noži
4	Čajne žličke
5	Desertne žličke
6	Servirne žlice
7	Servirne vilice
8	Zajemalke za omako

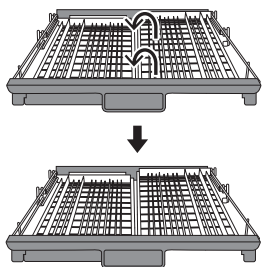
Informacije za teste primerljivosti v skladu z zmogljivostjo po standardu EN60436: namestitvev na 14 mest.

Položaj zgornje košare: spodnji položaj.

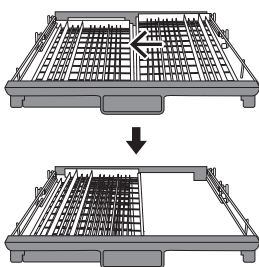
Program: ECO

Nastavitev sredstva za izpiranje: MAX.

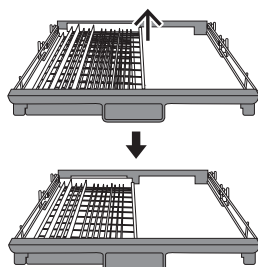
Nastavitev mehčalca: H3

Nasveti za uporabo odcejalnika za pribor

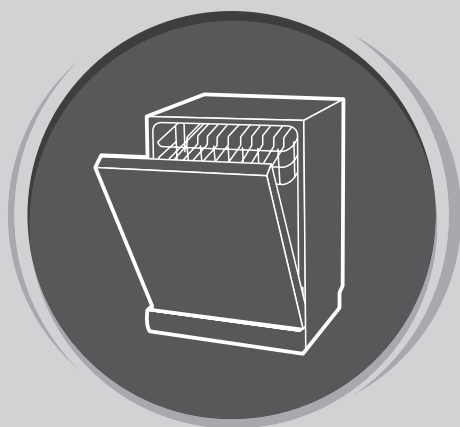
Dvignite desno košaro; leva in desna košara sta ploski.



Desno košaro premaknite od desne proti levi; košari se prekrivata.



Odstranite desno košaro s pladnja; ostane samo leva košara.



MAŠINA ZA PRANJE SUDOVA

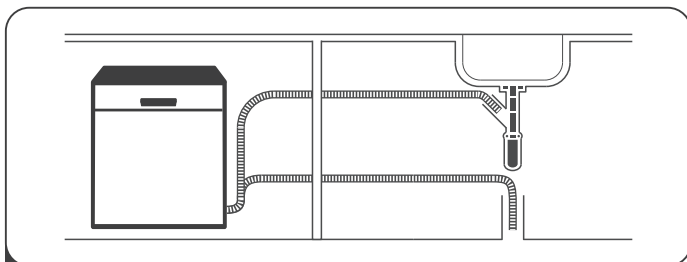
Uputstvo
za upotrebu

**DEL II:
POSEBNA RAZLIČICA
WDI690M**

Pred uporabo pomivalnega stroja natančno preberite ta priročnik in ga shranite, da vam bo v pomoč v prihodnje.

NAVODILA ZA HITRI ZAČETEK

Za podroben način delovanja preberite ustrezno vsebino priročnika za uporabo.

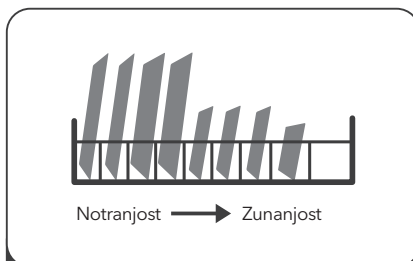


1 Namestite pomivalni

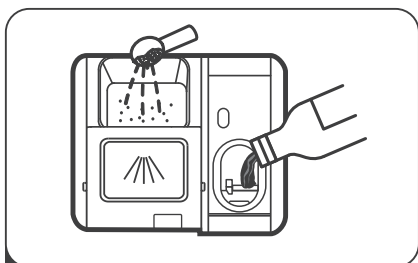
(Preverite razdelek 5, „NAVODILA ZA NAMESTITVEV“, v DELU II: generična različica.)



2 Odstranjevanje večjih ostankov na



3 Nalaganje v košare



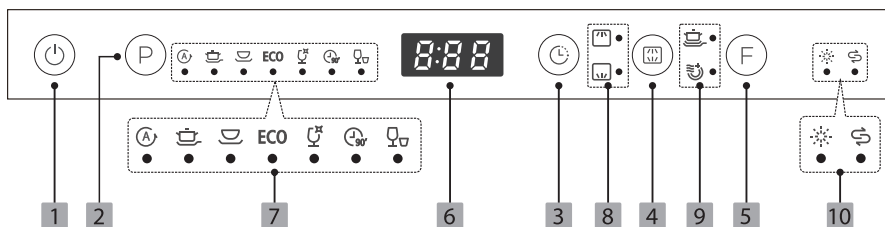
4 Polnjenje dozirnika



5 Izbira programa in zagon pomivalnega stroja

UPORABA POMIVALNEGA STROJA

Nadzorna plošča










Upravljanje (gumb)

- 1 **Napajanje** Press this button to turn on your dishwasher, the screen lights up.
- 2 **Program** Izberite ustrezni program pomivanja; zasvetil bo indikator izbranega programa.
- 3 **Delay** Pritisnite ta gumb, da nastavite ure zakasnitve pomivanja. Začetek pomivanja lahko zakasnite 24 ur. Zenim pritiskom na ta gumb zakasnite začetek pomivanja za eno uro.
- 4 **Alt** Pritisnite gumb, da izberete polnjenje zgornje ali spodnje košare; zasvetil bo ustrezni indikator.
- 5 **Funkcija** Pritisnite gumb, da izberete funkcijo; zasvetil bo ustrezni indikator.

Display

- 6 **Zaslon** Za prikaz preostalega časa programa in časa zakasnitve, kode napake itd.

- | | | |
|---|-------------------|--------------------------------------------------------------------------------------------------------------------------------------------------------------------------------------------------------------------------------------------------------------------------------------------------------------------------------------------------------------------------------------------------------------------------------------------------------------------------------------------------------------------------------------------------------------------------------------------------------------------------------------------------------------------------------------------------------------------------------------------------------------------------------------------------------------------------------------------------------------------------------------------------------------------------------------------------------------------------------------------------------------------------------------------------------------------------------------------------------------------------------------------------------------------------------------------------------------------------------------------------------------------------------------------------------------------------------------------------------------------------------------------------------------------|
| 7 | Program indikator | <p>Samodejno
  Pomivanje s samodejnim zaznavanjem, normalno ali močno umazana posoda z zasušeno hrano ali brez nje</p> <p>Intenzivno
  Močno umazani predmeti vključujejo lonce in kozice. Z zasušeno hrano.</p> <p>Univerzalno
  Za normalno umazano posodo, kot so lonci, krožniki, kozarci in le malo umazane kozice.</p> <p>ECO
  To je standardni program, primeren za pomivanje normalno umazane posode ter je v smislu porabe energije in vode najučinkovitejši za pomivanje te vrste posode.</p> <p>Steklo
  Za malo umazano posodo in steklo.</p> <p>90 Min
  Za normalno umazano posodo, pri kateri je potrebno hitro pomivanje.</p> <p>Hitro
  Krajše pomivanje za le malo umazano posodo, ki je ni treba sušiti.</p> |
|---|-------------------|--------------------------------------------------------------------------------------------------------------------------------------------------------------------------------------------------------------------------------------------------------------------------------------------------------------------------------------------------------------------------------------------------------------------------------------------------------------------------------------------------------------------------------------------------------------------------------------------------------------------------------------------------------------------------------------------------------------------------------------------------------------------------------------------------------------------------------------------------------------------------------------------------------------------------------------------------------------------------------------------------------------------------------------------------------------------------------------------------------------------------------------------------------------------------------------------------------------------------------------------------------------------------------------------------------------------------------------------------------------------------------------------------------------------|

8	Indikator Alt		Zgoraj Če izberete možnost Zgoraj, bodo pomite le posode v zgornji košari. Sistem pršenja pri spodnji košari ne bo deloval.
			Spodaj Če izberete možnost Spodaj, bodo pomite le posode v spodnji košari. Sistem pršenja pri zgornji košari ne bo deloval.
9	Funkcija indikator		Dodatno čiščenje Za pomivanje zelo umazanih posod, ki jih je težko očistiti. (Uporabljati jo je mogoče le pri programih Intenzivno, Univerzalno, ECO, Steklo in 90 min.)
			Dodatno sušenje Za boljše rezultate sušenja. (Uporabljati jo je mogoče le pri programih Intenzivno, Univerzalno, ECO, Steklo in 90 min.)
10	Opozorilo indikator		Sredstvo za izpiranje Če sveti indikator  , v pomivalnem stroju zmanjkuje sredstva za izpiranje in ga je treba dodati.
			Salt Če sveti indikator  , v pomivalnem stroju zmanjkuje soli in jo je treba dodati.

Mehčalec vode

Mehčalec vode je treba ročno nastaviti z vrtljivim gumbom za trdoto vode.

Mehčalec vode je zasnovan tako, da iz vode odstranjuje minerale in soli, ki bi negativno vplivali na delovanje aparata.

Več mineralov vsebuje voda, bolj trda je.

Mehčalec je treba nastaviti glede na trdoto vode v vašem območju. Glede trdote vode v vašem območju vam lahko svetuje lokalni organ, odgovoren za vodo.

Prilaganje porabe soli

Pomivalni stroj je zasnovan tako, da omogoča prilaganje količine porabljenih soli glede na trdoto uporabljenih vode. Namenjen je optimizaciji in prilaganju ravni porabe soli po meri.

Za prilaganje porabe soli sledite spodnjim korakom:

1. Vključite aparat.
2. Pritisnite gumb Program in ga držite 5 sekund, da se bo v 60 sekundah po vklopu aparata zagnal model nastavitve mehčalca vode.
3. Pritisnite gumb Program, da izberete pravilno nastavitve glede na lokalno okolje; nastavitve se spreminjajo v naslednjem zaporedju: H1->H2->H3->H4->H5->H6.
4. Pritisnite gumb za napajanje, da zaključite model nastavljanja.

TRDOTA VODE				Raven mehčalca vode	Regeneracija nastopi ob vsakem X-tem programu zaporedje ¹⁾	Poraba soli (gram/cikel)
Nemščina dH *	Francoščina fH **	Britanci Clarke ***	Mmol/l			
0 - 5	0 - 9	0 - 6	0 - 0.94	H1	Brez regeneracije.	0
6 - 11	10 - 20	7 - 14	1.0 - 2.0	H2	10	9
12 - 17	21 - 30	15 - 21	2.1 - 3.0	H3	5	12
18 - 22	31 - 40	22 - 28	3.1 - 4.0	H4	3	20
23 - 34	41 - 60	29 - 42	4.1 - 6.0	H5	2	30
35 - 55	61 - 98	43 - 69	6.1 - 9.8	H6	1	60

1°dH = 1,25°fH = 0,178 mmol/l °Clarke = 1,78

Tovarniška nastavitve: H3. Za informacije o trdoti vode v vašem vodovodu se obrnite na lokalno upravo za vodo.

¹⁾ Pri vsakem ciklu z regeneracijo sta porabljena dodatna 2,0 litra vode, poraba energije se poveča za 0,02 kWh, program pa se podaljša za 4 minute.



OPOMBA

Če v stroju ni soli, preberite razdelek 3, „Sipanje soli v mehčalec“ v DELU I: Generična različica.



OPOMBA

Če pri vašem modelu ni nobenega predelka za mehčanje vode, ta razdelek lahko preskočite.

Mehčalec vode

Trdota vode se na različnih območjih razlikuje. Če je v pomivalnem stroju uporabljena trda voda, se bodo na posodi in priboru nalagale usedline.

Aparat je opremljen s posebnim mehčalcem, v katerem je predelek za sol, ki je posebej zasnovana za odstranjevanje vodnega kamna in mineralov iz vode.

Priprava in nalaganje posode

- Kupite posodo, ki je primerna za pomivanje v pomivalnem stroju.
- Pri določenih kosih izberite program z najnižjo možno temperaturo.
- Da preprečite poškodbe, kozarcev in posodja ne vzemite iz pomivalnega stroja takoj po koncu programa.

Naslednji pribor/posoda Ni primerna za

pomivanje v pomivalnem stroju.

- Posodje z ročaji iz lesa, roževine ali biserovine.
- Plastični predmeti, ki niso odporni na toploto.
- Starejše posode z zlepljenimi deli, ki niso odporni na toploto.
- Lepljeni pribor ali posoda.
- Posoda iz kositra ali bakra.
- Kristalno steklo.
- Jeklena posoda, ki lahko zarjavi.
- Leseni pladnji.
- Posoda iz sintetičnih vlaken.

Je omejeno primerna.

- Nekatere vrste stekla lahko po več pomivanjih postanejo motne.
- Srebrni in aluminijasti deli se med pomivanjem pogosto razbarvajo.
- Glazirani vzorci lahko ob pogostem pomivanju zbledijo.

Priporočila za polnjenje pomivalnega stroja

Postrgajte morebitno večjo količino ostankov hrane. Ostanke zažgane hrane v kozicah zmehčajte. Posode ni treba splakovati pod tekočo vodo.

Za najboljšo delovanje pomivalnega stroja upoštevajte te smernice za nalaganje. **(Funkcije in videz košar in košar za pribor so pri vašem modelu morda drugačne.)**

Predmete postavite v pomivalni stroj na naslednji način:

- Predmete, kot so skodelice, kozarci, lonci/kozice itd. obrnite navzdol.
- Zaobljene predmete ali predmete z vdolbinami morate naložiti poševno, da lahko voda odteče.
- Vso posodo morate naložiti varno, tako da se ne bodo prevrnile.
- Vso posodo postavite tako, da se bodo pršilne roke med pomivanjem lahko vrtele.
- Votle predmete, kot so skodelice, kozarci, kozice itd. naložite tako, da bo odprtina obrnjena navzdol in se voda ne bo mogla zbirati v posodi ali na globokem dnu.
- Posod in pribora ne smete nalagati enega v drugega ali tako, da bi se prekrivali. Da preprečite poškodbe, se kozarci ne smejo dotikati.
- Zgornja košara je zasnovana tako, da lahko vanjo nalagate krhkejše in lažje posode, kot so kozarci ter čajne in kavne skodelice.
- Noži z dolgim rezilom, postavljeni v pokončni položaj, so potencialno nevarni!
- Dolge in/ali ostre kose pribora, kot so noži za rezanje, morate položiti vodoravno v zgornjo košaro.

- Pomivalnega stroja ne napolnite preveč. To je pomembno, da bodo rezultati dobri in da bo poraba energije razumna.
- Please do not overload your dishwasher. This is important for good results and for reasonable consumption of energy.

OPOMBA

V pomivalnem stroju ne smete pomivati zelo majhnih predmetov, saj bi zlahka padli iz košare.

Odstranjevanje posod

Da preprečite kapljanje vode iz zgornje košare na spodnjo, priporočamo, da najprej izpraznite spodnjo košaro in šele nato zgornjo.

OPOZORILO!



Predmeti bodo vroči! Da preprečite poškodbe, kozarcev in posodja še približno 15 minut po koncu programa ne jemljite iz pomivalnega stroja.

Nalaganje v zgornjo košaro

Zgornja košara je zasnovana tako, da lahko vanjo nalagate krhkejše in lažje posode, kot so kozarci ter čajne in kavne skodelice, ter krožnike, skledice in plitke ponve (če le niso preveč umazane). Posodo in kuhinjski pribor namestite tako, da jih curki vode ne bodo premaknili.



Nalaganje v spodnjo košaro

Priporočamo, da največje predmete in tiste, ki jih je najteže očistiti, kot so lonci, kozice, pokrovi, servirne posode in sklede, postavite v spodnjo košaro, kot prikazuje spodnja slika. Servirne posode in pokrove je priporočljivo postaviti na stranske dele odcejalnika, da preprečite blokado zgornje pršilne roke. Največji priporočljivi premer pri krožnikih, ki jih postavite pred dozirnik detergenta, je 19 cm, ker s tem preprečite, da bi ovirali odpiranje dozirnika.



Nalaganje v košaro za pribor

Pribor morate v odcejalnik za pribor postaviti tako, da so kosi ločeni med seboj in na ustreznih mestih; prepričajte se, da pribor ni združen v gručo, ker potem ne bi bil dobro pomit.

OPOZORILO!



Noben predmet naj ne sega prek dna košare.
Oster pribor vedno postavite tako, da bo ostra konica obrnjena navzdol.

OPOMBA

Za najučinkovitejše pomivanje v košare nalagajte tako, kot je prikazano pri standardnih možnostih nalaganja v zadnjem razdelku DELA I: Generična različica.

Funkcija sredstva za izpiranje in detergenta

Sredstvo za izpiranje se sprosti med zadnjim izpiranjem, zato da voda ne tvori kapljic na posodi, zaradi česar bi lahko nastali madeži in sledi. Ker omogoča, da voda spolzi s posode, je učinkovitejše tudi sušenje. Pomivalni stroj je zasnovan za uporabo sredstva za izpiranje.

⚠ OPOZORILO!

Za pomivalni stroj uporabljajte samo sredstva za izpiranje temu namenjenih blagovnih znamk. Nikoli ne napolnite dozirnika sredstva za izpiranje z drugimi snovmi (npr. čistilnim sredstvom za pomivalni stroj, tekočim detergentom). Aparat bi se pri tem poškodoval.

Kdaj doliti sredstvo za izpiranje

Kako pogosto je treba dolivati sredstvo za izpiranje, je odvisno od tega, kako pogosto perete posodo in od uporabljene nastavitve sredstva za izpiranje.

- Če bo potrebnega več sredstva za izpiranje, bo zasvetil indikator pomanjkanja sredstva za izpiranje (☼).
- Dozirnika sredstva za izpiranje ne napolnite preveč.

Funkcija detergenta

Za odstranjevanje, uničevanje in pošiljanje vse umazanije iz pomivalnega stroja so potrebne kemične sestavine, iz katerih je sestavljen detergent. Za ta namen je primerna večina detergentov komercialne kakovosti.

⚠ OPOZORILO!

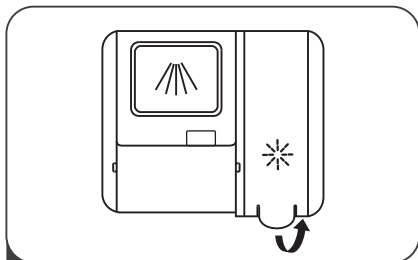
Pravilna uporaba detergenta

Uporabljajte le detergent, ki je posebej izdelan za uporabo v pomivalnem stroju. Detergent naj bo svež in suh. Detergenta v prahu ne sipajte v dozirnik, dokler niste pripravljeni na pomivanje posode.

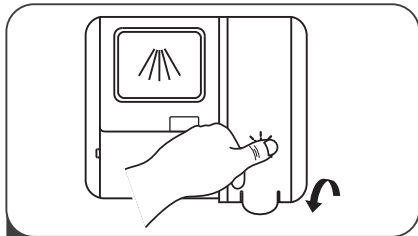


Detergent za pomivanje v pomivalnem stroju je koroziven! Poskrbite, da detergent za pomivanje v pomivalnem stroju ne bo v bližini otrok.

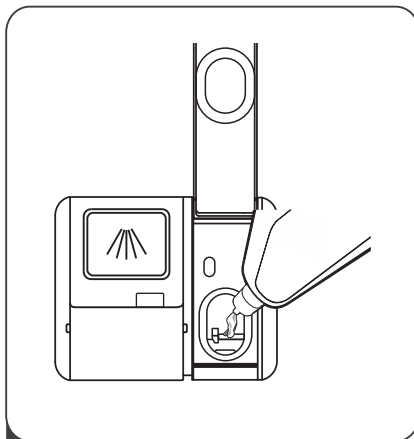
Polnjenje rezervoarja sredstva za izpiranje



1 Odstranite pokrovček rezervoarja sredstva za izpiranje, tako da dvignete ročaj.



3 Na koncu zaprite pokrovček.



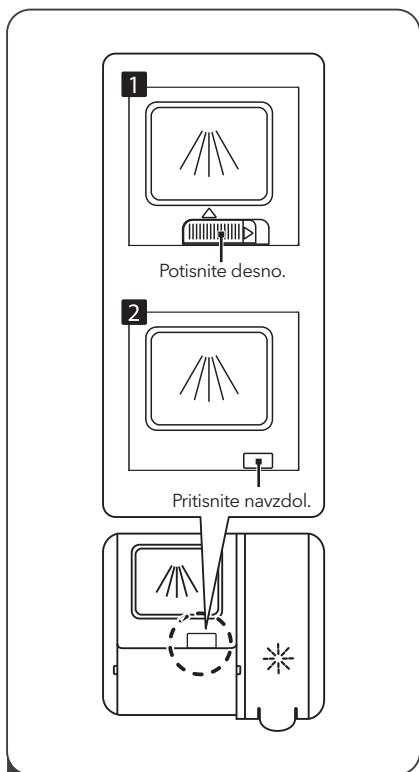
2 V dozirnik nalijte sredstvo za izpiranje in pri tem pazite, da ne bo iztekalo iz dozirnika.

Prilaganje rezervoarja sredstva za izpiranje

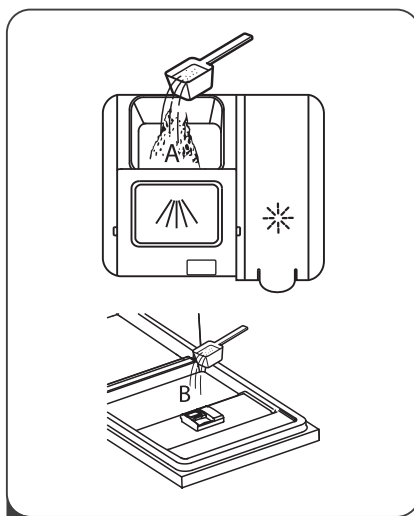
Da bo sušenje boljše in da bo poraba sredstva za izpiranje omejena, je pomivalni stroj zasnovan tako, da porabo lahko prilagodi uporabnik. Sledite spodnjim korakom.

1. Zaprite vrata in vklopite aparat.
2. V 60 sekundah po koraku 1 pritisnite gumb za programe in ga držite več kot 5 sekund, nato pa pritisnite gumb za zakasnitev, da vnesete model nastavljanja; indikator sredstva za izpiranje utripa s frekvenco 1 Hz.
3. Pritisnite gumb za programe, da izberete pravilno nastavitev glede na svoje navade pri uporabi; nastavitve se spreminjajo v naslednjem zaporedju: D1->D2->D3->D4->D5->D1.
Višja je številka, več sredstva za izpiranje pomivalni stroj porabi.
4. Pritisnite gumb za napajanje, da zaključite model nastavljanja.

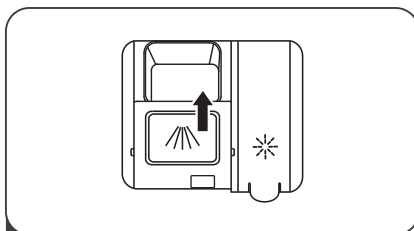
Polnjenje dozirnika za detergent



- 1 Izberite način odpiranja glede na dejansko stanje.
 1. Odprite pokrovček, tako da potisnete zapestje za sprostitvev.
 2. Odprite pokrovček, tako da zapestje za sprostitvev pritisnete navzdol.



- 2 V večjo odprtino (A) dodajte detergent za glavni cikel pomivanja. Za boljše rezultate pri pomivanju, zlasti če je posoda umazana, nalijte majhno količino detergenta v vrata. Dodatni detergent se bo aktiviral v fazi predpomivanja.



- 3 Zaprite pokrovček, tako da ga potisnete naprej in nato potisnete navzdol.







OPOMBA

- Upoštevajte, da je nastavitev lahko drugačna, odvisno od umazanosti vode.
- Upoštevajte priporočila proizvajalca na embalaži detergenta.

Preglednica ciklov pomivanja

V spodnji preglednici je prikazano, kateri programi so najboljši za količino ostankov hrane na posodi in koliko detergenta je potrebnega. Prikazane so tudi različne informacije o programih. Vrednosti porabe in trajanje programov so le okvirni, razen pri programu ECO.

● Kaže, da je pri programu pri zadnjem izpiranju uporabljeno sredstvo za izpiranje.

Program	Opis cikla	Detergent pred-/glavno	Delovanje Čas (min)	Energija (Kwh)	Voda (L)	Izpiranje
 Samodejno	Predpomivanje (45°C) Samodejno pomivanje (55-65 °C) Izpiranje Samodejno izplakovanje (60-65 °C) Sušenje	$\frac{4}{18g}$ (1 ali 2 tableti)	85-150	0.921-1.302	10.0-15.0	●
 Intenzivno	Predpomivanje (50 °C) Pomivanje (65 °C) Izpiranje Izpiranje Izpiranje (65 °C) Sušenje	$\frac{4}{18g}$ (1 ali 2 tableti)	205	1.579	18.0	●
 Univerzalno	Predpomivanje (45 °C) Pomivanje (55 °C) Izpiranje Izpiranje (65 °C) Sušenje	$\frac{4}{18g}$ (1 ali 2 tableti)	175	1.268	13.8	●
ECO (*EN60436)	Pomivanje (45 °C) Izpiranje Izpiranje (60 °C) Sušenje	$\frac{22g}{}$ (1 ali 2 tableti)	230	0.951	10.0	●
 Steklo	Predpomivanje Pomivanje (50 °C) Izpiranje Izpiranje (65 °C) Sušenje	$\frac{4}{18g}$ (1 ali 2 tableti)	120	1.094	14.1	●
 90 Min	Pomivanje (60 °C) Izpiranje Izpiranje(65 °C) Sušenje	$\frac{22g}{}$ (1 ali 2 tableti)	90	1.079	11.7	●
 Hitro	Pomivanje (50 °C) Izpiranje Izpiranje (45 °C)	$\frac{20g}{}$ (1 tab)	30	0.731	11.2	○



ECO
(*EN 60436)

Program ECO je primeren za pomivanje normalno umazane posode ter je v smislu porabe energije in vode najučinkovitejši za pomivanje te vrste posode; uporablja se za oceno skladnosti z zakonodajo EU o okoljsko primerni zasnovi izdelkov.

Varčevanje z energijo

1. Pri predpomivanju posode je poraba vode in energije povečana in ni priporočljivo.
2. Pri pomivanju posode v gospodinskem pomivalnem stroju je v fazi uporabe običajno porabljene manj energije in vode kot pri ročnem pomivanju, če je pomivalni stroj uporabljen po navodilih.

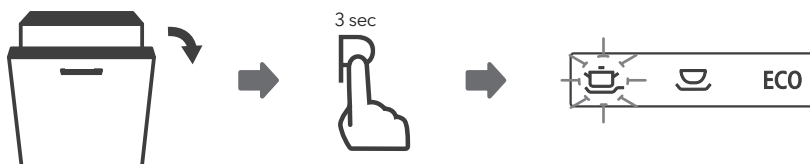
Zagon programa

1. Izvlecite spodnjo in zgornjo košaro, naložite posodo vanju in ju potisnite nazaj. Priporočljivo je, da posodo najprej naložite v spodnjo košaro, nato pa še v zgornjo.
2. Vsujte detergent.
3. Priklopite vtič v vtičnico. Glede napajanja glejte zadnjo stran, „**Podatki o izdelku**“. Prepričajte se, da je dovod vode odprt pri polnem tlaku.
4. Zaprite vrata in pritisnite gumb za napajanje, da vklopite stroj.
5. Izberite program; lučka za odziv bo zasvetila. Nato pritisnite gumb za zagon/začasno zaustavitev; pomivalni stroj bo zagnal cikel.

Spreminjanje programa med ciklom

Cikel pomivanja je mogoče spremeniti le, če deluje še le kratek čas; v nasprotnem primeru je bil detergent morda že sproščen in pomivalni stroj je morda že odvedel vodo za pomivanje. V tem primeru je treba pomivalni stroj ponastaviti in napolniti dozirniki detergenta. Da ponastavite pomivalni stroj, sledite spodnjim navodilom:

1. da zaustavite pomivalni stroj, nekoliko odprite vrata; ko pršilna roka neha delovati, lahko vrata odprete do konca.
2. Če pritisnete gumb za programe in ga držite tri sekunde, bo aparat v načinu za izbiro programov.
3. Program lahko spremenite na želeno nastavitev cikla.



Ali ste pozabili dodati posodo?

Pozabljeno posodo lahko dodate kadar koli, preden se je odprl dozirniki detergenta. Če se je že odprl, sledite spodnjim navodilom.

1. Vrata nekoliko odprite, da bo pomivanje zaustavljeno.
2. Ko pršilna roka neha delovati, lahko vrata do konca odprete.
3. Dodajte pozabljeno posodo.
4. Zaprite vrata; pomivalni stroj bo po 10 sekundah začel spet delovati.



⚠ OPOZORILO!



Odpiranje vrat med ciklom je nevarno, saj vas vroča para lahko opeče.

KODE NAPAK

Če se pojavi nepravilno delovanje, bodo na pomivalnem stroju prikazane kode napak za ugotavljanje napak:

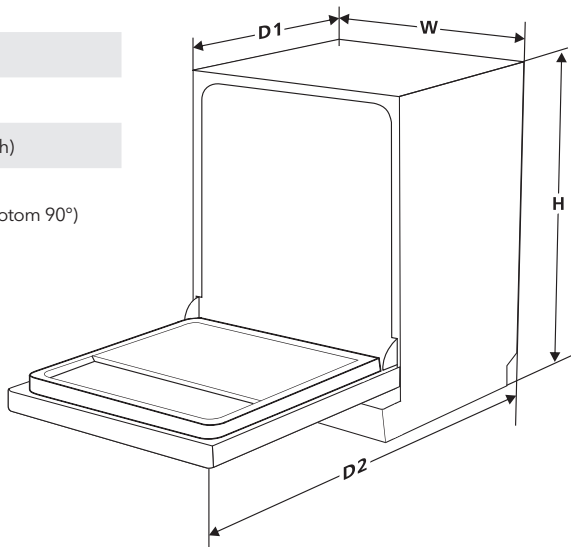
Kode	Pomen	Možni vzrok
E1	Daljši čas dovoda vode.	Pipa ni odprta, dovod vode je omejen ali pa je tlak vode prenizek.
E3	Ni dosežena zahtevana temperatura.	Nepravilno delovanje grelnega elementa.
E4	Izliv vode.	Določen element pomivalnega stroja pušča.
Ed	Neuspela komunikacija med glavnim krmilnim vezjem in krmilnim vezjem prikaza.	Odprti tokokrog ali prekinitev ožičenja za komunikacijo.

OPOZORILO!

- Če pride do izliva, odklopite glavni dovod vode, preden pokličete servis.
- Če je v posodi na dnu voda, ker je bil stroj preveč napolnjen ali zaradi manjšega puščanja, je treba pred ponovnim zagonom pomivalnega stroja odstraniti vodo.
- Če obstaja koda napake, ki je ni mogoče razrešiti, prosite za strokovno pomoč.

TECHNICAL INFORMATION

Višina (H)	815 mm
Širina (W)	598 mm
Globina (D1)	550 mm (pri zaprtih vratih)
Globina (D2)	1175 mm (pri vratih, odprtih pod kotom 90°)



Informacijski list izdelka

DELEGIRANA UREDBA KOMISIJE (EU) 2019/2017 v zvezi z označevanjem gospodinjskih pomivalnih strojev z energijskimi nalepkami

Ime dobavitelja ali blagovna znamka: Tesla

Naslov dobavitelja: Tesla Electronics, Litijska 47, 1000 Ljubljana, SI

Identifikacijska oznaka modela: WDI690M

Splošni parametri izdelka:

Parameter	Vrednost	Parameter	Vrednost	
Nazivna zmogljivost ^(a) (pogrinjkov)	14	Mere v cm	Višina	815
			Širina	598
			Globina	550
EEI ^(a)	55,9	Razred energetske učinkovitosti ^(a)	E	
Indeks učinkovitosti pomivanja ^(a)	1,125	Indeks učinkovitosti sušenja ^(a)	1,065	
Poraba energije v kWh [na cikel] na podlagi programa eco pri dotoku hladne vode.	0,951	Poraba vode v litrih [na cikel] na podlagi programa eco. Dejanska poraba vode je odvisna od načina uporabe aparata in trdote vode.	10,0	
Trajanje programa ^(a) (u:min)	3:50	Tip	Vgradni	
Emisije akustičnega hrupa, ki se prenaša po zraku ^(a) (dB(A) glede na 1 pW)	44	Razred emisij akustičnega hrupa, ki se prenaša po zraku ^(a)	B	
Stanje izključenosti (W) (če je ustrezno)	0,49	Stanje pripravljenosti (W) (če je ustrezno)	-	
Zamik vklopa (W) (če je ustrezno)	0,27	Omrežno stanje pripravljenosti (W) (če je ustrezno)	-	

Minimalno trajanje garancije, ki jo ponuja dobavitelj: 24 mesecev

Dodatne informacije

Povezava do spletnega mesta dobavitelja, kjer so na voljo informacije iz točke 6 Priloge II k Uredbi Komisije (EU) 2019/2022: [tesla.info](https://www.tesla.info)

^(a) za program eco.

Povezava na zbirko podatkov EU EPREL

Na kodi QR na energijski nalepki, priloženi aparatu, je povezava na spletno mesto za registracijo te naprave v zbirki podatkov EU EPREL.

Energijsko nalepko skupaj z uporabniškim priročnikom in vsemi drugimi dokumenti, priloženimi tej napravi, shranite za prihodnjo uporabo.

Informacije, povezane z delovanjem izdelka, lahko najdete v zbirki podatkov EU EPREL prek povezave

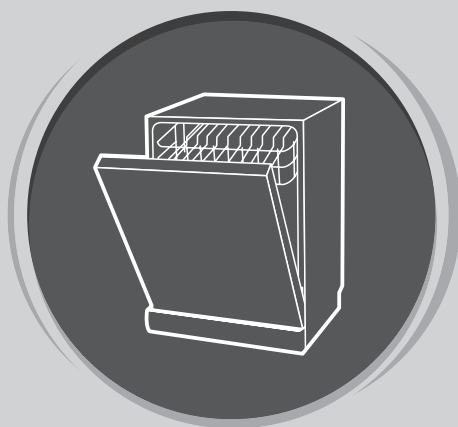
<https://eprel.ec.europa.eu>, imena modela in

številke izdelka, ki jo lahko najdete na ploščici z nazivnimi podatki na aparatu. Za podrobnejše informacije o energijski nalepki obiščite **www.theenergylabel.eu**.

Odstranjevanje



- Embalažo in aparat odložite v centru za ponovno uporabo. Odrežite napajalni kabel in poskrbite, da bo naprava za zapiranje vrat neuporabna.
- Kartonska embalaža je izdelana iz recikliranega papirja in jo je treba odložiti v koš za zbiranje papirja, da bo reciklirana.
- S skrbjo za pravilno odlaganje izdelka pomagajte preprečevati morebitne negativne posledice na okolje in zdravje ljudi, ki bi sicer nastale zaradi nepravilnega ravnanja z odpadki pri tem izdelku.
- Za več informacij o recikliranju tega izdelka se obrnite na lokalno upravo in službo za odstranjevanje gospodinjskih odpadkov.
- **ODSTRANJEVANJE: Tega izdelka ne odstranjajte kot neločene gospodinjske odpadke. Tovrstne odpadke je treba zbirati ločeno, ker so obdelani posebej.**



MAŠINA ZA PRANJE SUDOVA

Uputstvo
za upotrebu

DEO I: UOPŠTENO UPUTSTVO

Pre upotrebe mašine za pranje sudova, pažljivo pročitajte ovo uputstvo i sačuvajte ga za buduću upotrebu.

BEZBEDNOSNA UPUTSTVA

UPOZORENJE!

- Postavljanje i popravku uređaja može da obavlja isključivo kvalifikovani tehničar.
- Prilikom upotrebe mašine za pranje sudova, pridržavajte se sledećih mera predostrožnosti:
- Ovaj uređaj je predviđen za upotrebu u domaćinstvu i u sličnim okruženjima, poput:
 - kuhinjskih prostorija za osoblje u prodavnicama, kancelarijama i u drugim poslovnim okruženjima;
 - kuća na farmi;
 - hotela, motela i drugih okruženja rezidencijalnog tipa, gde je predviđeno da ih koriste klijenti;
 - apartmana u kojima se pružaju usluge tipa noćenja sa doručkom.
- Ovaj uređaj mogu da upotrebljavaju deca starija od 8 godina, kao i osobe sa umanjenim fizičkim, čulnim ili mentalnim sposobnostima ili osobe bez iskustva i znanja, ukoliko su pod nadzorom ili ukoliko su dobili uputstva o bezbednoj upotrebi uređaja i shvataju opasnosti koje upotreba istog nosi.
- Deca ne treba da se igraju uređajem. Deca ne treba da obavljaju čišćenje i održavanje uređaja bez nadzora. (Prema EN60335-1)
- Nije predviđeno da ovaj uređaj upotrebljavaju osobe (uključujući decu) sa umanjenim fizičkim, čulnim ili mentalnim sposobnostima ili osobe bez iskustva i znanja, osim ukoliko su pod nadzorom ili ukoliko su dobile uputstva o upotrebi uređaja od osobe odgovorne za njihovu bezbednost. (Prema IEC60335-1)
- Ambalaža može biti opasna za decu!
- Ovaj proizvod je predviđen isključivo za upotrebu u domaćinstvu i u zatvorenom prostoru.
- Kako biste smanjili rizik od strujnog udara, ne potapajte proizvod, kabl ili utikač u vodu ili neku drugu tečnost.
- Pre čišćenja i održavanja uređaja, izvucite utikač iz utičnice.
- Za čišćenje koristite meku krpu navlaženu blagom sapunicom, a zatim ponovo obrišite suvom krpom.

Uputstva u vezi sa uzemljenjem

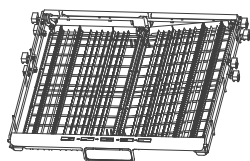
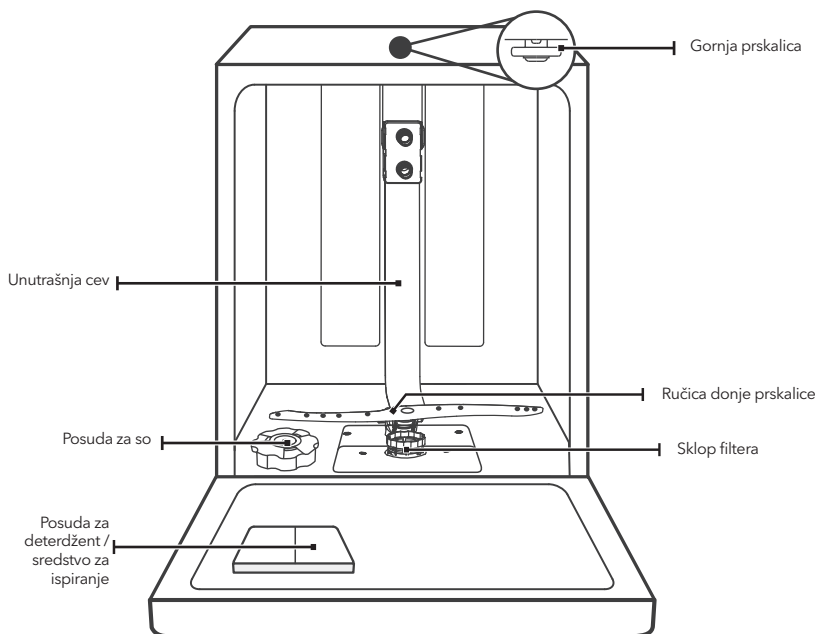
- Ovaj uređaj mora imati uzemljenje. U slučaju nepravilnog rada ili kvara, uzemljenje će umanjiti rizik od pojave strujnog udara tako što će električnoj struji omogućiti da nađe put sa najmanjim otporom. Ovaj uređaj je opremljen priključkom za sprovođenje uzemljenja.
- Neophodno je da priključak bude povezan sa odgovarajućim izlazom postavljenim i uzemljenim u skladu sa svim lokalnim kodeksima i naredbama.
- Neodgovarajuće povezivanje opreme sa provodnikom uzemljenja može da izazove pojavu rizika od strujnog udara.
- Ukoliko imate nedoumice u vezi sa pravilnim uzemljenjem uređaja, proverite uzemljenje zajedno sa kvalifikovanim električarom ili predstavnikom servisa.

- Ukoliko priključak koji ste dobili uz uređaj ne odgovara izlazu, nemojte ga prepravljati.
- Neka Vam kvalifikovani električar postavi odgovarajući izlaz.
- Nemojte na agresivan način rukovati vratima ili policama za posude u okviru mašine za pranje sudova i nemojte sedeti, niti stajati na njima.
- Nemojte puštati u rad svoju mašinu za pranje sudova ukoliko sve table kućišta nisu na svojim pozicijama.
- Budite veoma pažljivi prilikom otvaranja vrata mašine za pranje sudova dok ona radi, jer postoji rizik da Vas isprska mlaz vode.
- Ne stavljajte teške predmete na otvorena vrata mašine i nemojte stajati na njima. Uređaj bi se mogao prevrnuti.
- Prilikom raspoređivanja posuda koje je potrebno oprati:
 1. Oštre predmete rasporedite tako da ne mogu da oštete zaptivku na vratima;
 2. Upozorenje: Noževе i ostali pribor oštrih vrhova morate rasporediti u korpi tako da im vrhovi budu okrenuti ka dole ili ih morate postaviti u horizontalni položaj.
- Neki deterdženti za mašinsko pranje sudova su jako alkalni. Ukoliko dođe do njihovog gutanja, mogu biti izuzetno opasni. Izbegavajte kontakt sa kožom i očima, a decu držite dalje od mašine za pranje sudova ukoliko su vrata otvorena.
- Po završetku ciklusa pranja, proverite da li ima još praha od deterdženta.
- Nemojte prati plastično posuđe, osim ukoliko nosi oznaku "bezbedno za mašinsko pranje" ili slično.
- Kod plastičnog posuđa koje ne nosi nikakvu oznaku, proverite preporuke proizvođača.
- Upotrebljavajte isključivo deterdžente i sredstva za ispiranje preporučena za upotrebu u automatskim mašinama za pranje sudova.
- Nikada nemojte u mašinu za pranje sudova stavljati sapun, deterdžent za pranje veša ili deterdžent za pranje ruku.
- Ne ostavljajte otvorena vrata, jer time povećavate rizik od saplitanja.
- Ukoliko je priključni kabl oštećen, njegovu zamenu mora da obavi proizvođač, servis koji je proizvođač angažovao ili lica sa sličnim kvalifikacijama, kako bi se izbegla opasnost.
- Prilikom postavljanja, priključni kabl se ne sme savijati ili pritiskati na prekomeran ili opasan način.
- Nemojte nepropisno prepravljati kontrolne tastere.
- Uređaj je potrebno povezati sa glavnim ventilom za vodu pomoću novog kompleta creva. Nemojte upotrebljavati stare komplete creva.
- U cilju uštede energije, uređaj će se u režimu pripravnosti automatski isključiti ukoliko mašina nije aktivna tokom perioda od 15 minuta.
- Maksimalni broj kompleta prilikom pranja iznosi 14.
- Maksimalni dozvoljeni pritisak ulazne vode iznosi 1 MPa.
- Minimalni dozvoljeni pritisak ulazne vode iznosi 0,04 MPa.

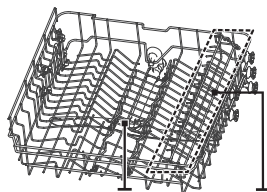
PRIKAZ PROIZVODA



Za maksimalni učinak Vaše mašine za pranje sudova, pre prve upotrebe pročitajte kompletno uputstvo za upotrebu.



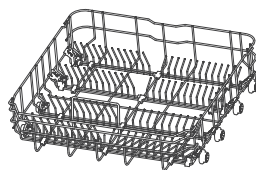
Fioka za pribor za jelo



Gornja prskalica

Polica za čaše

Gornja korpa



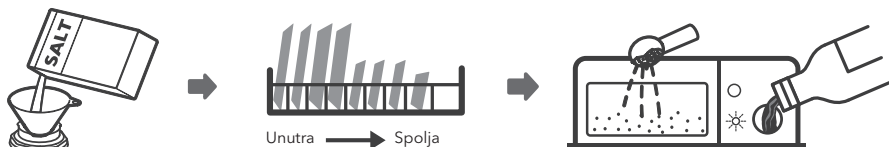
Donja korpa

NAPOMENA

Slike su date isključivo u ilustrativne svrhe. Pogledajte izgled svog proizvoda.

UPOTREBA VAŠE MAŠINE ZA PRANJE SUDOVA

Pre nego što počnete da koristite svoju mašinu za pranje sudova:



1. Podesite omekšivač vode
2. Stavite so u omekšivač
3. Rasporedite posude u korpe
4. Napunite posudu za deterdžent / sredstvo za ispiranje

NAPOMENA

Ukoliko je potrebno da podesite omekšivač vode, pogledajte odeljak 1 „Omekšivač vode“, koji se nalazi u DELU II: Uputstvo za određeni model.

Stavljanje soli u omekšivač

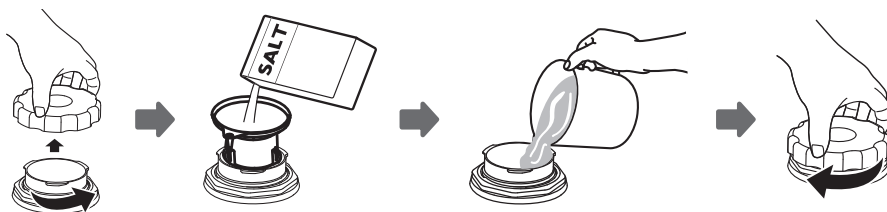
NAPOMENA

Ukoliko se u okviru Vašeg modela mašine ne upotrebljava omekšivač vode, ovaj odeljak možete preskočiti. Uvek koristite isključivo so koja je namenjena za mašinu za pranje sudova. Posuda za so se nalazi ispod donje korpe, a dopunjuje se na način prikazan dalje u tekstu:

UPOZORENJE!


- **Koristite isključivo so koja je posebno proizvedena za mašine za pranje sudova!**
Svaka druga vrsta soli, koja nije posebno proizvedena za mašinu za pranje sudova, a naročito jestiva so, oštetiće omekšivač vode. U slučaju oštećenja nastalih usled upotrebe neodgovarajuće vrste soli, proizvođač ne pruža nikakve garancije, niti je odgovoran za bilo kakvo oštećenje nastalo tom prilikom.
- **So dopunjujte isključivo neposredno pre nego što mašina započne ciklus pranja.**
Na taj način ćete sprečiti zadržavanje potencijalno prosutih zrna soli ili slane vode na dnu mašine tokom određenog vremenskog perioda, što može izazvati rđanje.

Pratite sledeće korake kako biste dodali so za mašinu za pranje sudova:



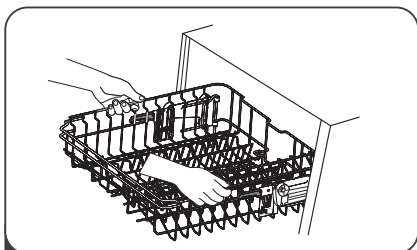
1. Skinite donju korpu i odšrafite poklopac rezervoara.
2. Stavite donji deo levka (koji se dostavlja uz proizvod) u otvor i naspite oko 1,5 kg soli za mašinu za pranje sudova.
3. Dopunite posudu za so vodom do njene maksimalne granice. Uobičajeno je da se, tom prilikom, iz posude za so prospe manja količina vode.
4. Nakon što napunite posudu, ponovo stavite poklopac i dobro ga zašrafite.
5. Nakon što naspete so u posudu za so, lampica upozorenja za količinu soli će prestati da svetli.
6. Neki od programa pranja bi trebalo pokrenuti odmah po stavljanju soli u posudu za so (Predlažemo upotrebu nekog od kraćih programa). U suprotnom, slana voda bi mogla da ošteti sistem za filtriranje, pumpu ili neke druge važne delove mašine. U tom slučaju, garancija se neće primenjivati.

NAPOMENA

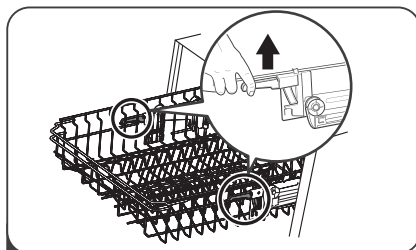
- Posuda za so se mora dopunjavati samo kada se na kontrolnoj tabli uključi lampica upozorenja za količinu soli . Zavisno od stepena rastvorljivosti soli, lampica upozorenja za količinu soli može nastaviti da svetli iako je posuda za so dopunjena. Ukoliko uređaj na kontrolnoj tabli nema lampicu upozorenja za količinu soli (kod nekih modela), na osnovu broja ciklusa mašine možete proceniti kada ćete staviti so u omekšivač.
- Ukoliko je došlo do prosipanja soli, uključite program natapanja ili neki od kraćih programa kako biste je uklonili.

Savet za upotrebu korpi

Podešavanje gornje korpe



1 Da podignete policu u gornju poziciju, podižite je sve dok obe strane ne budu na istoj visini. Polica će biti pričvršćena.



2 Da spustite policu, pritisnite dršku ka dole i otpustite.

Sklopavanje policia za šolje

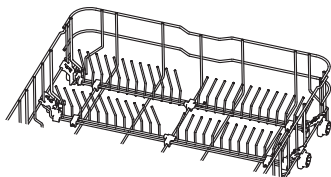
Da u korpi mašine za pranje sudova napravite više prostora za visoko posuđe, podignite policu za šolje ka više. Na taj način, uz nju možete prisloniti visoke čaše. Možete je i skinuti ukoliko Vam nije potrebna.



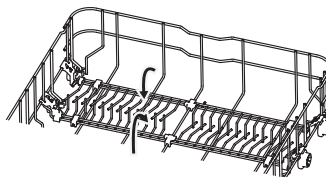
Sklopavanje policia sa šiljcima

Šiljci se koriste za pridržavanje tanjira i ovala. Mogu se spustiti kako bi se napravilo više prostora za veće posuđe.

podignite ka gore



sklopite ka nazad



ODRŽAVANJE I ČIŠĆENJE

Održavanje spoljašnjosti uređaja

Vrata i zaptivka za vrata

Zaptivke za vrata redovno čistite mekom, vlažnom krpom kako biste uklonili naslage hrane. Prilikom raspoređivanja posuđa u mašini za pranje sudova, ostaci hrane i pića mogu kapati po bočnim stranama vrata mašine za pranje sudova. Ove površine se nalaze izvan prostora za pranje i voda iz ručica prskalica ih ne može dohvatiti. Pre nego što zatvorite vrata, obrišite eventualne naslage.

Kontrolna tabla

Ukoliko je kontrolnu tablu potrebno očistiti, brišite je ISKLJUČIVO mekom, vlažnom krpom.



UPOZORENJE!

- Da biste izbegli prodiranje vode u bravu vrata i u električne komponente, nemojte koristiti nikakva sredstva za čišćenje u spreju.
- Nikada ne upotrebljavajte abrazivna sredstva za čišćenje ili abrazivne sundere prilikom čišćenja spoljašnjih površina, jer tako možete izgubiti završni sloj. Neki papirni ubrusi takođe mogu izgubiti površinu ili ostaviti tragove na njoj.

Održavanje unutrašnjosti uređaja

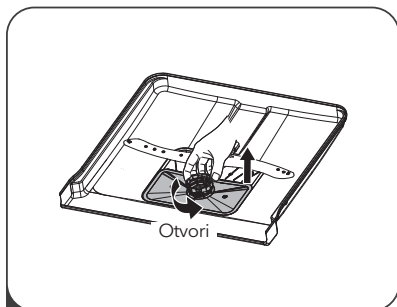
Sistem za filtriranje

Sistem za filtriranje, koji se nalazi u donjem delu prostora za pranje, zadržava veći otpad nastao tokom ciklusa pranja. Prikupljeni veći otpad može da dovede do začepljenja filtera. Redovno proveravajte filtere i po potrebi ih čistite pod mlazom vode. Za čišćenje filtera u prostoru za pranje, pratite sledeće korake.

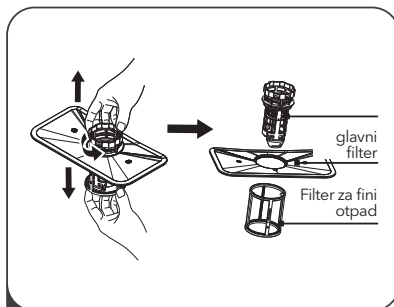


NAPOMENA

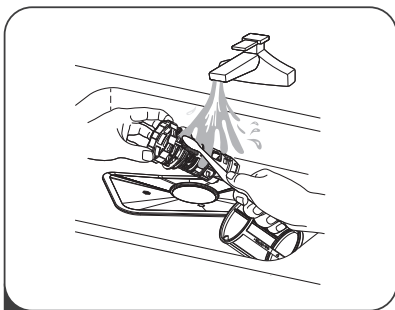
Slike su date isključivo u ilustrativne svrhe. Kod različitih modela, sistemi za filtriranje i ručice prskalica se mogu razlikovati. Pogledajte izgled svog proizvoda.



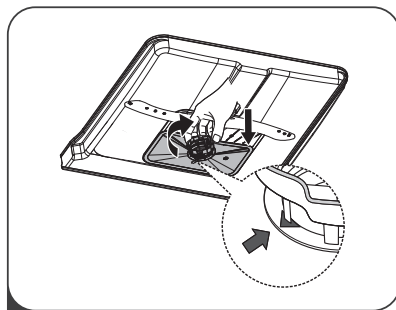
- 1** Uхватite filter za veći otpad i okrenite ga u smeru suprotnom od smera kazaljke na satu kako biste ga otključali. Podignite filter naviše i izvucite ga iz mašine za pranje sudova.



- 2** Filter za fini otpad se može izvući sa dna montažnog dela za filter. Filter za veći otpad se može odvojiti od glavnog filtera laganim pritiskanjem jezičaka na vrhu i izvlačenjem.



3 Veći ostaci hrane se mogu očistiti ispiranjem filtera pod mlazom vode. Za temeljnije čišćenje, koristite meku četku za čišćenje.



4 Filtere ponovo postavite obrnutim redosledom u odnosu na redosled kojim ste ih rasklapali, ponovo postavite uložak filtera i okrenite ga u smeru kazaljke na satu, sve do strelice.

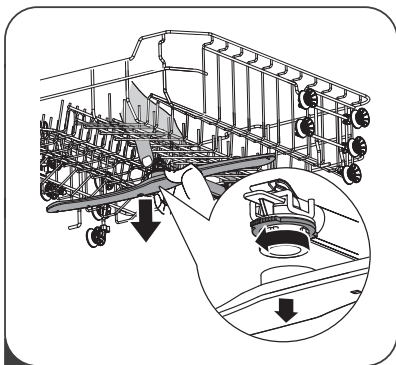
UPOZORENJE!

- Nemojte prejako pričvršćivati filtere. Vratite filtere određenim redosledom i dobro ih pričvrstite. U suprotnom, veći komadi otpada bi mogli ući u sistem i izazvati začepljenje.
- NIKADA ne upotrebljavajte mašinu za pranje sudova ako filteri nisu na odgovarajući način postavljeni. Nepravilno postavljanje filtera može smanjiti nivo radnog učinka uređaja i oštetiti posuđe i pribor.

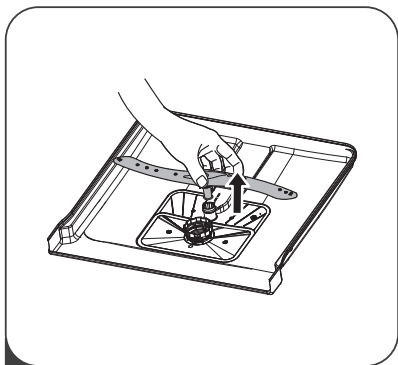
Ručice prskalice

Ručice prskalice je neophodno redovno čistiti, jer će, u suprotnom, hemikalije iz tvrde vode začepiti mlaznice i blokirati ležajeve ručica prskalice.

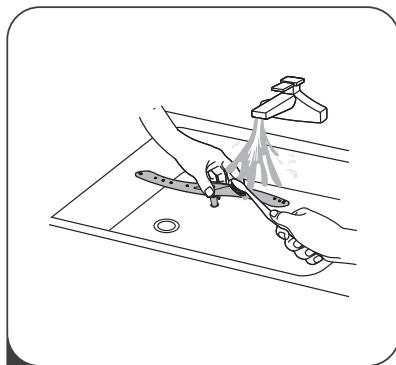
Za čišćenje ručica prskalice, pratite sledeća uputstva:



1 Da biste skinuli ručicu gornje prskalice, pritisnite centralni zavrtnj tako da se ne kreće, a zatim zarotirajte ručicu prskalice u smeru suprotnom od smera kazaljke na satu.



2 Da biste skinuli ručicu donje prskalice, povucite ručicu prskalice uvis.



3 Ručice operite u toploj vodi sa sapunicom, a za čišćenje mlaznica upotrebite meku četku. Nakon temeljnog ispiranja, ponovo ih postavite u uređaj.

Briga o mašini za pranje sudova

Mere zaštite od mržnjenja

Tokom zime, preduzmite sve mere da zaštitite mašinu za pranje sudova od mržnjenja. Nakon svakog ciklusa pranja, obavite sledeće:

1. Izvucite utikač mašine za pranje sudova iz utičnice.
2. Isključite dovod vode i skinite dovodnu cev za vodu sa ventila za vodu.
3. Istočite vodu iz dovodne cevi i iz ventila za vodu. (Za prikupljanje vode, upotrebite lavor)
4. Ponovo povežite dovodnu cev za vodu sa ventilom za vodu.
5. Skinite filter sa dna prostora za pranje i sunđerom pokupite vodu iz slivnika.

Nakon svakog pranja

Nakon svakog pranja isključite dovod vode do uređaja i ostavite vrata delimično otvorena kako se vlaga i mirisi ne bi zadržavali u uređaju.

Izvucite utikač iz utičnice

Pre svakog čišćenja ili postupka održavanja izvucite utikač iz utičnice.

Ne upotrebljavajte rastvarače ili abrazivna sredstva za čišćenje

Ne upotrebljavajte rastvarače ili abrazivne proizvode prilikom čišćenja spoljašnjeg dela i gumenih elemenata uređaja. Upotrebljavajte isključivo krpu natoplenu toplom vodom sa sapunicom.

Za uklanjanje fleka ili mrlja sa unutrašnjih površina uređaja koristite krpu navlaženu vodom sa malo sirćeta ili specijalizovan proizvod za čišćenje mašina za pranje sudova.

Kada se uređaj ne upotrebljava tokom dužeg vremenskog perioda

Preporučuje se da praznu mašinu za pranje sudova uključite da radi jedan ciklus, a zatim da izvučete utikač iz utičnice, isključite dovod vode i ostavite vrata uređaja delimično otvorena. Ovim postupkom ćete produžiti životni vek zaptivkama na vratima i sprečiti stvaranje neprijatnih mirisa unutar uređaja.

Transport uređaja

Ukoliko je neophodno preseliti uređaj, pokušajte da ga tokom tog procesa držite u uspravnom položaju. Samo ako je to zaista neophodno, uređaj položite na njegov zadnji deo.

Zaptivke

Jedan od faktora koji dovode do nastanka neprijatnih mirisa unutar mašine za pranje sudova je hrana zaglavljena u zaptivkama. Da biste ovo sprečili, povremeno očistite vlažnim sunđerom.

UPUTSTVA ZA POSTAVLJANJE

UPOZORENJE!



Opasnost od strujnog udara

Pre postavljanja mašine za pranje sudova, prekinite dovod struje.

Ukoliko to ne učinite, možete izazvati nečiju smrt ili nekoga izložiti strujnom udaru.

PAŽNJA!

Postavljanje creva i električne opreme treba da obavi profesionalno lice.

O električnom povezivanju

UPOZORENJE!

Radi lične bezbednosti:

- Za povezivanje ovog uređaja sa strujom ne upotrebljavajte produžne kablove ili adaptere.
- Nemojte ni pod kojim okolnostima seći ili skidati vezu za uzemljenje sa priključnog kabla.

Zahtevi u vezi sa električnom opremom

Pogledajte pločicu sa nominalnim podacima kako biste znali koji nominalni napon Vaša mašina za pranje sudova koristi i kako biste je priključili na odgovarajuću utičnicu. Koristite preporučeni osigurač sa zahtevanim naponom od 10A/13A/16A, vremenski osigurač ili prekidač i obezbedite zasebno strujno kolo namenjeno isključivo ovom uređaju.

Električno povezivanje

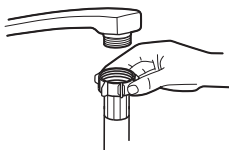
Uverite se da napon i frekvencija struje odgovaraju vrednostima navedenim na pločici sa nominalnim podacima. Povežite utikač isključivo sa utičnicom koja je pravilno uzemljena. Ukoliko utičnica na koju morate priključiti uređaj ne odgovara utikaču, zamenite utičnicu. Nemojte upotrebljavati adaptere i sličnu opremu, jer mogu dovesti do pregrevanja i izazvati opekotine.

⚠ Pre upotrebe se uverite da postoji odgovarajuće uzemljenje.

Dovod i odvod vode

Povezivanje sa hladnom vodom

Povežite dovodno crevo za hladnu vodu na konektor od 3/4 (cola) sa navojima i uverite se da je ono dobro pričvršćeno. Ukoliko su cevi za vodu nove ili ako nisu upotrebljavane tokom dužeg vremenskog perioda, propustite kroz njih vodu i proverite da li je voda čista. Ovu meru predostrožnosti je neophodno obaviti kako bi se izbegao rizik od blokiranja protoka vode na ulazu i oštećenja uređaja



obično dovodno crevo



sigurnosno dovodno crevo

O sigurnosnom dovodnom crevu

Sigurnosno dovodno crevo se sastoji od duplih zidova. Sistem na ovom crevu pruža garanciju da će ono blokirati protok vode u slučaju pucanja dovodnog creva i onda kada se prostor između samog dovodnog creva i spoljašnjeg rebrastog creva, koji je ispunjen vazduhom, napuni vodom.

⚠ UPOZORENJE!

Crevo povezano sa tušem za sudoperu može da pukne ukoliko je postavljeno na isti dovod vode kao i mašina za pranje sudova. Ukoliko takvo crevo imate u svojoj sudoperi, preporučuje se da ga skinete i zatvorite otvor.

Kako da povežete sigurnosno dovodno crevo

1. Potpuno izvadite sigurnosna dovodna creva iz skladišnog prostora na zadnjem delu mašine za pranje sudova.
2. Pričvrstite zavrtne sigurnosnog dovodnog creva na slavinu od 3/4 cola sa navojima.
3. Pre nego što mašinu za pranje sudova pustite u rad, potpuno odvrnite vodu.

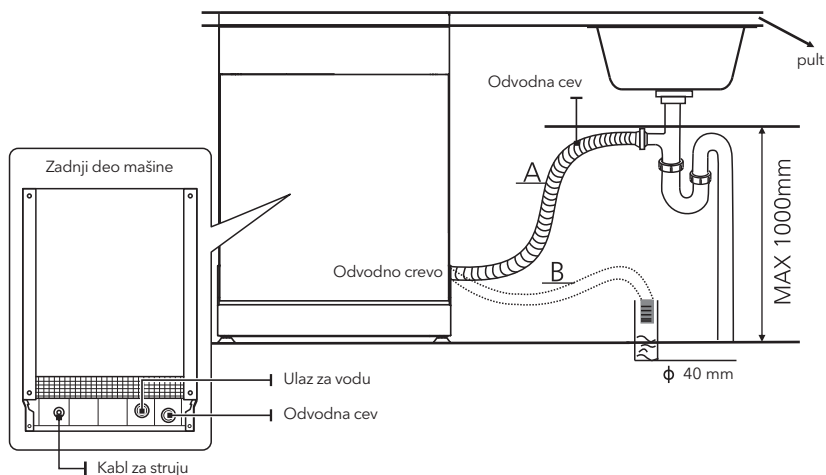
Kako da skinete sigurnosno dovodno crevo

1. Isključite vodu.
2. Odšrafite sigurnosno dovodno crevo sa slavine.

Povezivanje odvodnih creva

Ubacite odvodno crevo u odvodnu cev minimalnog prečnika od 4 cm ili ga ostavite da ističe u slivnik, vodeći pritom računa da ga ne savijate i ne prelamate. Odvodna cev mora biti locirana na visini manjoj od 1000 mm. Slobodni deo creva se ne sme uranjati u vodu kako bi se izbeglo vraćanje vode.

⚠ Dobro pričvrstite odvodno crevo i u slučaju pozicije A i u slučaju pozicije B.



Kako da ispustite višak vode iz creva

Ukoliko je slivnik na visini većoj od 1000 mm od poda, višak vode u crevima neće moći da se ispusti direktno u slivnik. Neophodno je da višak vode iz creva ispustite u neku činiju ili odgovarajući sud koji ćete držati izvan slivnika i na nižem nivou od njega.

Odvod vode

Povežite odvodno crevo za vodu. Odvodno crevo mora biti pravilno povezano kako bi se izbeglo curenje vode. Uverite se da odvodno crevo za vodu nije prelomljeno ili pritisnuto.

Produžno crevo

Ukoliko vam je potrebno produžno odvodno crevo, uverite se da bude slično onome na koje ga nastavljate. Ne sme biti duže od 4 metra; u suprotnom, efekat čišćenja mašine za pranje sudova će biti umanjen.

Povezivanje sifona

Veza sa kanalizacijom mora biti na visini manjoj od 1000 mm (maksimalno) od dna mašine za pranje sudova.

Pozicioniranje uređaja

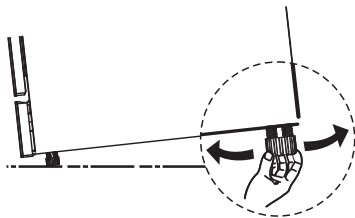
Postavite uređaj na željeno mesto. Zadnji deo uređaja treba da se naslanja na zid iza njega, a bočne strane treba da budu poravnate sa okolnim kuhinjskim elementima ili zidovima. Mašina za pranje sudova je opremljena dovodnim i odvodnim crevima za vodu koja se mogu postaviti bilo sa desne ili leve strane, čime se olakšava pravilno postavljanje.

Nivelisanje uređaja

Kada je uređaj postavljen za nivelisanje, visinu mašine za pranje sudova možete promeniti podešavanjem visine šrafa na nožicama. U svakom slučaju, uređaj ne bi trebalo nakretati tako da stoji pod uglom većim od 2°.

NAPOMENA

Primenjuje se isključivo na samostojeće mašine za pranje sudova.



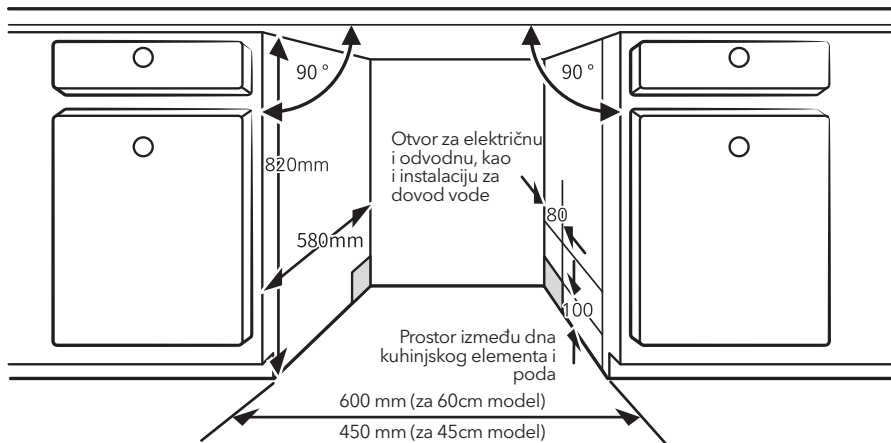
Postavljanje ugradnog uređaja (kod integrisanog modela)

Korak 1. Izbor najbolje lokacije za mašinu za pranje sudova

Mašina za pranje sudova treba da bude postavljena u blizini postojećih dovodnih i odvodnih creva i priključnog kabela.

Ilustracija dimenzija kuhinjskih elemenata i mesta postavljanja mašine za pranje sudova.

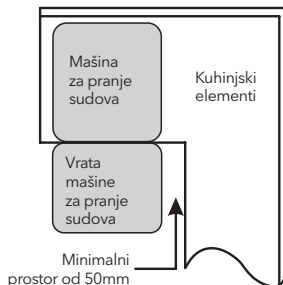
1. Manje od 5 mm između gornje površine mašine za pranje sudova i kuhinjskog elementa, kao i spoljnih vrata u ravni sa kuhinjskim elementom.



2. Ako mašinu za pranje sudova postavljate u krajnji ugao u odnosu na kuhinjske elemente, potrebno je da ostavite dovoljno mesta za otvaranje vrata.

NAPOMENA

Zavisno od toga gde se nalazi otvor za električne instalacije, možda će biti morati da presečete otvor na suprotnoj strani kuhinjskog elementa.



Korak 2. Dimenzije i postavljanje ukrasne table

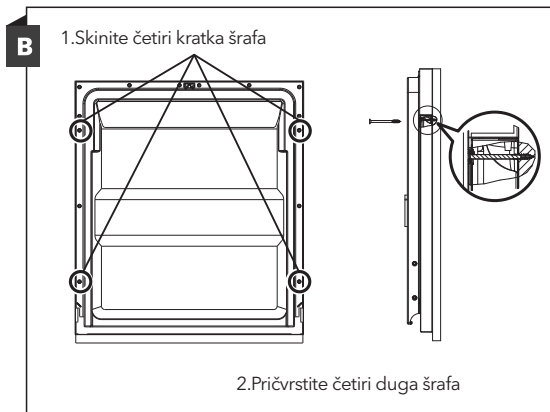
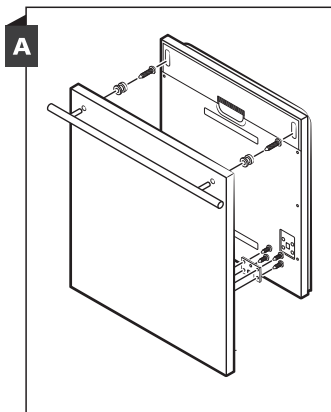


NAPOMENA

Ukrasnu drvenu tablu biste mogli napraviti na osnovu crteža koji se odnose na postavljanje uređaja.

Potpuno integrisani model

Pričvrstite nosač na drveni front panel i postavite ga u otvor koji se nalazi na spoljašnjoj strani vrata mašine za pranje sudova (pogledajte sliku A). Nakon pozicioniranja panela, pričvrstite je za spoljašnju stranu vrata pomoću šrafova i zavrtnja (pogledajte sliku B).

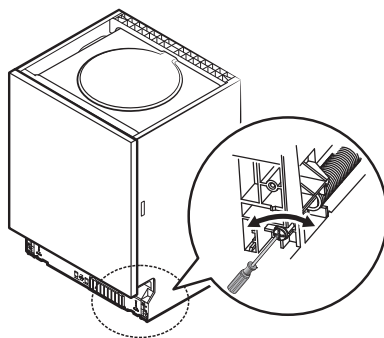


1. Skinite četiri kratka šrafa

2. Pričvrstite četiri duga šrafa

Korak 3. Podešavanje zategnutosti opruge na vratima

1. Zategnutost opruga na spoljašnjim vratima je fabrički pravilno podešena. Ukoliko postavljate ukrasne drvene table, morate podesiti zategnutost opruge na vratima. Okrećite šraf za podešavanje kako biste regulator dodatno zategli ili kako biste opustili čeličnu sajlju.
2. Zategnutost opruge na vratima je pravilno podešena ako vrata ostaju u horizontalnom položaju kada su potpuno otvorena i ako se u zatvoreni položaj vraćaju podizanjem prstom uz najmanji napor.



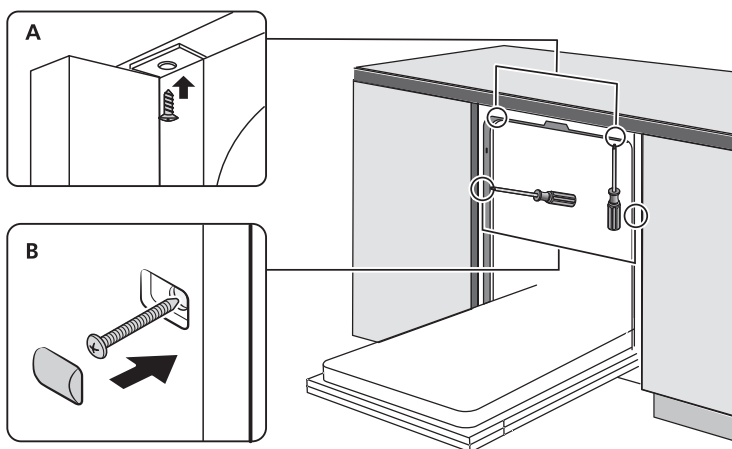
Korak 4. Koraci za postavljanje mašine za pranje sudova



NAPOMENA

Pogledajte navedene korake za postavljanje uređaja na crtežima za postavljanje.

1. Ispod radne površine kuhinjskih elemenata pričvrstite bandaž traku. Uverite se da bandaž traka dobro naleže na ivicu radne površine. (Korak 2)
2. Povežite ulazno crevo sa dovodom hladne vode.
3. Povežite odvodno crevo.
4. Povežite priključni kabl.
5. Postavite mašinu za pranje sudova na za nju predviđeno mesto. (Korak 4)
6. Iznivelišite mašinu za pranje sudova. Zadnja nožica se može podešavati sa prednje strane mašine za pranje sudova okretanjem krstastog šrafa koji se nalazi u sredini dna mašine za pranje sudova. Da podesite prednje nožice, upotrebite ravni odvijač i okrećite prednje nožice sve dok ne iznivelišete mašinu za pranje sudova. (Korak 5)
7. Postavite ukrasna vrata na spoljnu stranu vrata mašine za pranje sudova.
8. Podesite zategnutost opruga na vratima pomoću imbus ključa koji ćete okretati u smeru kretanja kazaljke na satu, čime ćete zategnuti i levu i desnu oprugu. Ukoliko to ne učinite, možete oštetiti svoju mašinu za pranje sudova.
9. Mašina za pranje sudova mora biti dobro pričvršćena. Ovo se radi na dva načina:
 - A. Normalna radna površina: Postavite nosač za pričvršćivanje u otvor na bočnom delu i pričvrstite ga za radnu površinu šrafovim za drvo.
 - B. Mermerna ili granitna radna površina: Pričvrstite šrafofom sa bočne strane.

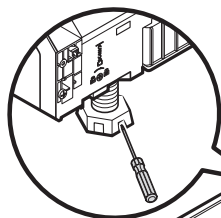


Nivelisanje mašine za pranje sudova

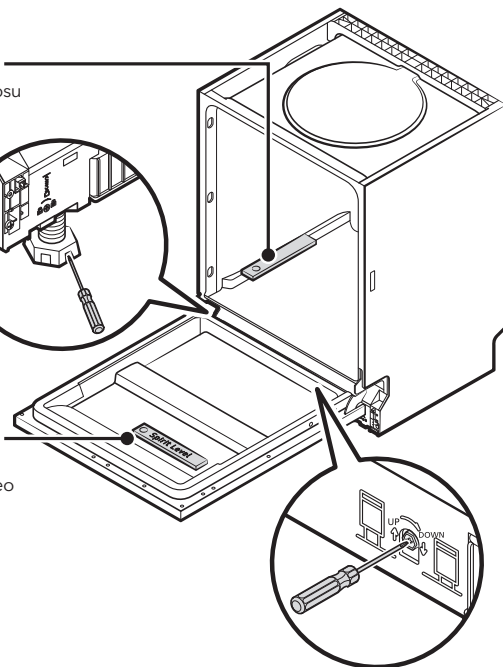
Mašina za pranje sudova mora biti iznivelisana radi pravilne upotrebe police za sudove i boljeg učinka prilikom pranja.

1. Postavite libelu na vrata i na šinu police unutar prostora za pranje na način prikazan na slici kako biste proverili da li je mašina za pranje sudova iznivelisana.
2. Iznivelišite mašinu za pranje sudova tako što ćete zasebno podesiti svaku od tri nožice za nivelisanje.
3. Prilikom nivelisanja mašine za pranje sudova, povedite računa da se mašina za pranje sudova ne prevrne.

Proverite iznivelisanost prednjeg u odnosu na zadnji deo



Proverite iznivelisanost jednog u odnosu na drugi bočni deo



NAPOMENA

Maksimalna visina podešavanja nožice iznosi 50 mm.

SAVETI ZA OTKLANJANJE KVAROVA

Pre nego što pozovete servis

Pročitajte informacije prikazane na stranama koje slede jer na taj način možete izbeći pozivanje servisa.

Problem	Mogući uzroci	Šta možete učiniti
Mašina za pranje sudova ne počinje da radi	Osigurač je pregoreo ili je prekiadač prekinuo strujno kolo.	Zamenite osigurač ili ponovo uključite prekiadač. Isključite sve uređaje koji koriste isto strujno kolo kao i mašina za pranje sudova.
	Napajanje je prekinuto.	Uverite se da je mašina za pranje sudova uključena i da su vrata dobro zatvorena. Uverite se da je priključni kabl pravilno priključen u utičnicu.
	Pritisak vode je nizak.	Proverite da li je mašina pravilno povezana na dovod vode i da li je voda puštena.
	Vrata mašine za pranje sudova nisu pravilno zatvorena.	Uverite se da su vrata pravilno zatvorena i da su se zaključala.
Mašina za pranje sudova ne izbacuje vodu	Odvodno crevo je presavijeno ili pritisnuto.	Proverite odvodno crevo.
	Filter je začepljen.	Proverite filter za veći otpad.
	Sudopera je začepljena.	Proverite sudoperu kako biste se uverili da dobro odvodi vodu. Ukoliko je problem izazvala sudopera koja ne odvodi vodu, verovatno će Vam vodoinstalater biti potrebniji od servisera mašina za pranje sudova.
Sapunica u prostoru za pranje	Neodgovarajući deterdžent.	Upotrebljavajte isključivo specijalni deterdžent za mašinsko pranje sudova kako biste izbegli stvaranje sapunice. Ukoliko se ovo dogodi, otvorite mašinu za pranje sudova i sačekajte da sapunica ispari. Prospite otprilike 4l hladne vode na dno mašine. Zatvorite vrata mašine, a zatim izaberite bilo koji ciklus pranja. Mašina će, na početku, ispustiti vodu. Po završetku faze ispuštanja vode, otvorite vrata i proverite da li ima još sapunice. Po potrebi ponovite ovaj postupak.
	Sredstvo za ispiranje se prosulo.	Uvek i odmah obrišite sredstvo za ispiranje ukoliko se prospe.
Fleke po unutrašnjem delu prostora za pranje	Možda je upotrebljavan deterdžent koji sadrži sredstvo za bojenje.	Uverite se da deterdžent ne sadrži sredstvo za bojenje.
Beli film po unutrašnjim površinama prostora za pranje	Minerali tvrde vode.	Za čišćenje unutrašnjosti koristite vlažni sunder koji sadrži deterdžent za mašinsko pranje sudova. Nosite gumene rukavice. Nikada ne koristite druga sredstva za čišćenje jer može doći do stvaranja pene ili sapunice.
Na priboru za jelo se javljaju mrlje od rđe	Pribor za jelo je napravljen od materijala koji nisu otporni na rđu.	Izbegavajte da u mašini za pranje sudova perete posude koje nije otporno na rđu.
	Mašinu niste pustili u rad odmah po dodavanju soli. Tragovi soli su dospeli u ciklus pranja.	Po dodavanju soli, uvek uključite neki od programa pranja bez sudova u mašini. Ne uključujte opciju Turbo (ukoliko je mašina ima).
	Poklopac posude za omekšivač nije dobro zatvoren.	Proverite da li je poklopac posude za omekšivač dobro zatvoren.

Problem	Mogući uzroci	Šta možete učiniti
U mašini za pranje sudova se čuje udaranje	Ručica prskalice udara o neku posudu u korpi	Prekinite program i ponovo rasporedite posude koje blokira ručicu prskalice.
U mašini za pranje sudova se čuje zveckanje	Lomljivo posude u mašini za pranje sudova nije raspoređeno tako da stoji stabilno.	Prekinite program i ponovo rasporedite lomljivo posude.
U cevima za vodu se čuje udaranje	Razlog ovome može biti postavljanje na samom mestu ili ukrštanje cevovoda.	Ovo ni na koji način ne utiče na rad mašine za pranje sudova. Ukoliko imate bilo kakvih nedoumica, kontaktirajte kvalifikovanog vodoinstalatera.
Posude nije čisto	Posude nije pravilno raspoređeno.	Pogledajte DEO II „Pripremanje i raspoređivanje posuda u mašini“
	Program nije dovoljno snažan.	Uključite intenzivniji program.
	Nije stavljeno dovoljno deterdženta.	Stavite više deterdženta ili promenite deterdžent.
	Posude blokira kretanje ručica prskalice.	Ponovo rasporedite posude tako da prskalice mogu da se neometano okreću.
	Komplet filtera je zaprljan ili nije pravilno postavljen na dno prostora za pranje u mašini. Na ovaj način mogu se zablokirati mlaznice na ručicama prskalice.	Očistite i/ili pravilno postavite filter. Očistite mlaznice na ručicama prskalice.
Posude od stakla je mutno.	Kombinacija meke vode i prevelike količine deterdženta.	Ukoliko je voda koju koristite meka, upotrebljavajte manje deterdženta i koristite kraće cikluse za pranje staklenog posuda.
Na posudu i čašama se javljaju bele mrlje.	Upotreba tvrde vode može da izazove formiranje naslaga kamenca.	Proverite podešavanja omekšivača vode ili napunite posudu za so.
Na posudu se javljaju crne ili sive mrlje	Posude je bilo u snažnijem kontaktu sa priborom od aluminijuma.	Za uklanjanje pomenutih mrlja, koristite blago abrazivno sredstvo za čišćenje.
U posudi za deterdžent je ostao deterdžent	Posude blokira otvaranje posude za deterdžent.	Ponovo rasporedite posude na odgovarajući način.
Posude se ne suši	Posude nije pravilno raspoređeno.	Rasporedite posude na način prikazan u uputstvu. Kako biste izbegli iritaciju kože, pošto se na posudu mogu naći ostaci deterdženta, koristite rukavice.
	Posude je prebrzo izvađeno iz mašine.	Nemojte vaditi posude iz mašine za pranje sudova odmah po završetku ciklusa pranja. Malo otvorite vrata kako biste ispuštali paru. Izvucite posude tak kada se temperatura unutar prostora za pranje dovoljno spusti da možete da dodirujete predmete. Najpre izvadite posude sa donje korpe, kako voda sa gornje korpe ne bi kapala po donjoj.
Posude se ne suši	Uključili ste pogrešan program.	Kod kraćih programa, temperatura pranja je niža, što umanjuje učinak pranja. Izaberite program koji ima dugi period pranja.
	Upotreba pribora za jelo sa nekvatitetnim završnim slojem.	Postupak ocedivanje vode je teži kod ovakvog posuda. Pribor za jelo ili posude ovog tipa nisu pogodni za pranje u mašini za pranje sudova.

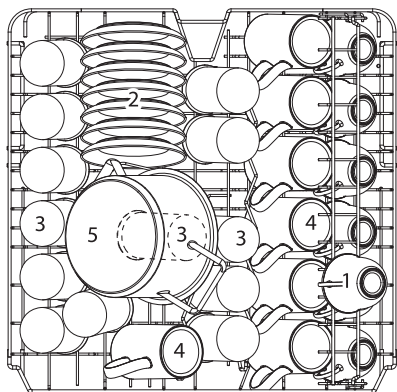
**UPOZORENJE!**

Popravljanje uređaja od strane nestručnog lica može dovesti do ugrožavanja bezbednosti korisnika uređaja. Takođe, može uticati na promenu uslova garancije.

RASPOREĐIVANJE POSUĐA U KORPAMA U SKLADU SA STANDARDOM EN60436

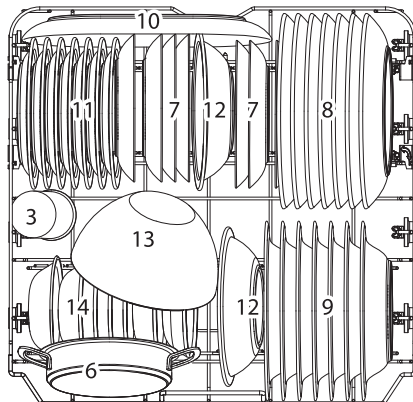
Korišćenje punog kapaciteta mašine za sudove prilikom punjenja, doprinosi uštedi energije i vode.

1. Gornja korpa:



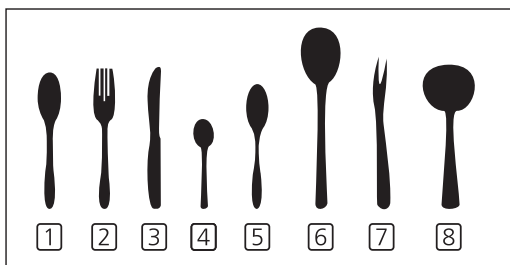
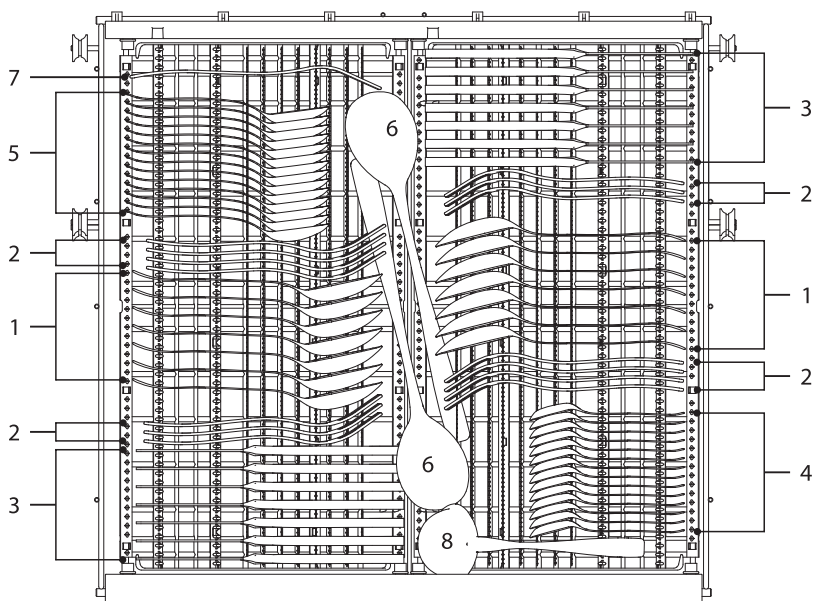
Broj	Stavka
1	Šolje
2	Tacne
3	Čaše
4	Krigle
5	Mala šerpa

2. Donja korpa:



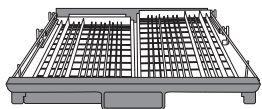
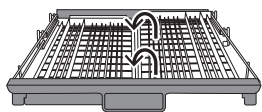
Broj	Stavka
6	Šerpa za pečenje
7	Tanjiri za dezert
8	Tanjiri za ručavanje
9	Tanjiri za supu
10	Oval
11	Tanjiri za dezert od melamina
12	Činije od melamina
13	Staklena činija
14	Činije za dezert

3. Polica za pribor za jelo:

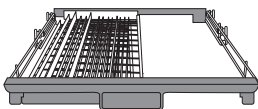
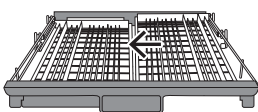


Informacije u vezi sa uporednim testovima
u skladu sa standardom EN60436
Kapacitet: 14 kompleta
Pozicija gornje korpe: niža pozicija
Program: ECO (EKOLOŠKI)
Podešavanje za sredstvo za ispiranje: MAX (MAKSIMALNO)
Podešavanje za omekšivač: H3

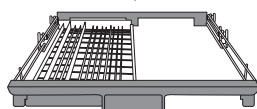
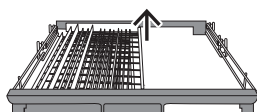
Broj	Stavka
1	Kašika za supu
2	Viljuške
3	Noževi
4	Kafene kašikice
5	Kašičice za desert
6	Kašike za serviranje
7	Viljuške za serviranje
8	Kuglača za sos

Stalak za pribor za jelo - Korišćeni saveti

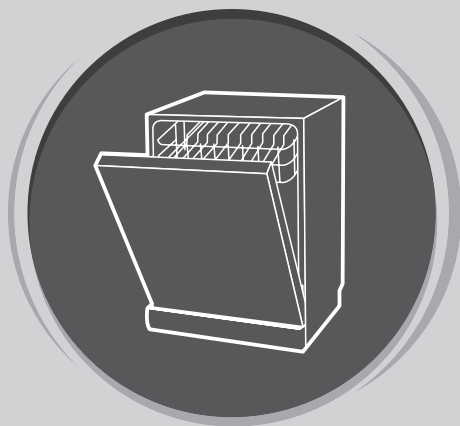
Podignite desni koš, i levi i desni koš su ravni.



Pomeri desni koš s desna na levo, dva koša se preklapaju.



Izvadite desnu korpu iz ležišta, ima samo levu korpu.



MAŠINA ZA PRANJE SUDOVA

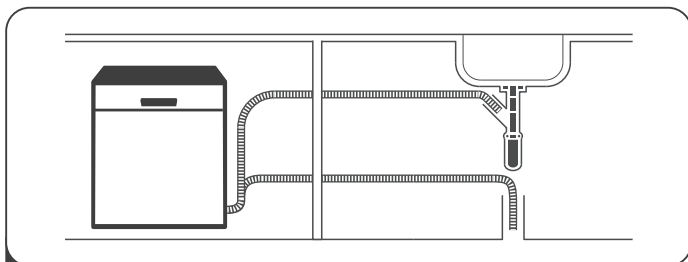
Uputstvo
za upotrebu

**DEO II:
UPUTSTVO ZA ODREĐENI MODEL
WDI690M**

Pre upotrebe mašine za pranje sudova, pažljivo pročitajte ovo uputstvo i sačuvajte ga za buduću upotrebu.

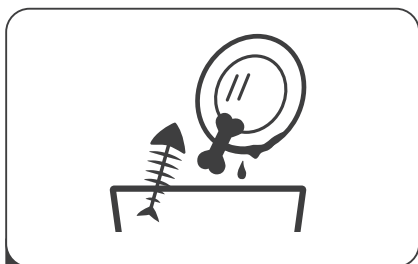
KRATKI VODIČ ZA UPOTREBU

Za detaljnije informacije o načinu rukovanja, pročitajte odgovarajući sadržaj u uputstvu za upotrebu.

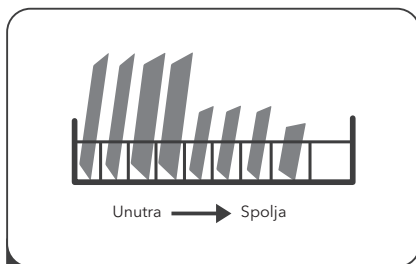


1 Postavite mašinu za pranje sudova

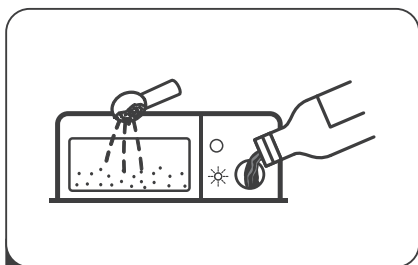
(Pogledajte odeljak 5 „UPUTSTVA ZA POSTAVLJANJE“ u okviru DELA I: Uopšteno uputstvo.)



2 Uklonite veće ostatke sa posuda. Izbegavajte prethodno ispiranje.



3 Rasporedite posude u korpe.



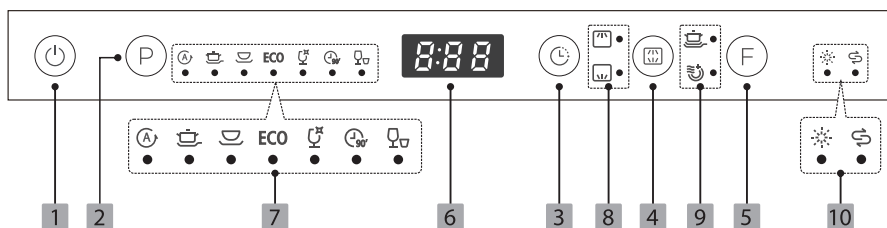
4 Napunite posudu za deterđent / sredstvo za ispiranje.



5 Izaberite odgovarajući program i upalite mašinu za sudove.

UPOTREBA VAŠE MAŠINE ZA PRANJE SUDOVA

Kontrolna tabla



Opcija (taster)

- 1 **Uključivanje** Pritisnite ovo dugme, da biste uključili svoju mašinu; kontrolna tabla će zasvetleti.
- 2 **Program** Pritisnite ovo dugme da izaberete odgovarajući program pranja, indikator programa će svetliti.
- 3 **Odloženi početak** Pritisnite ovaj taster kako biste podesili vreme odlaganja početka. Odložite ciklus do 24 sata u koracima od jednog sata.
- 4 **Alt** Pritisnite dugme da izaberete gornju ili donju korpu napunjenu i odgovarajući indikator će zasvetleti.
- 5 **Funkcije programa** Pritisnite dugme da izaberete funkciju, odgovarajući indikator će se upaliti

Displej

- 6 **Ekran** Da biste prikazali preostalo vreme programa i vreme kašnjenja, kod greške itd

- 7 **Indicator programa**
 - Auto**
Pere sa automatskim senzorom, blago, normalno ili jako zaprljano posuđe, sa ili bez osušene hrane
 - Intenzivno**
Za najjače zaprljano posuđe i normalno zaprljane šerpe, tiganje, posuđe itd. Sa osušenom hranom
 - Univerzalno**
Za normalno zaprljane stvari, kao što su lonci, tanjiri, čaše i blago zaprljane tiganje.
 - ECO**
Ovo je standardni program podesan za normalno zaprljano posuđe, poput šerpi, tanjira, čaša i blago zaprljanih tiganja.
 - Čaše**
Za blago zaprljano zemljano posuđe i čaše.
 - 90 Min**
Za normalno zaprljano posuđe koje treba brzo oprati.
 - Ubrzano**
Kraći program pranja za blago zaprljano posuđe koje ne treba da se suši.

8 Alt indicator

**Gornji**

Kada izaberete Gornje, pere se samo posuđe u gornjoj korpi. Sistem prskanja donje korpe neće raditi.

**Donji**

Kada izaberete Donji, pere se samo posuđe u donjoj korpi. Sistem za prskanje gornje korpe neće raditi.

9 Function indicator

**Dodatno čišćenje**

Za pranje veoma prljavog posuda koje se teško čisti. (Može se koristiti samo sa Intensive, Universal, ECO, Glass, 90 min)

**Dodatno sušenje**

Za bolje rezultate sušenja. (Može se koristiti samo sa Intensive, Universal, ECO, Glass, 90 min)

10 Indikator upozorenja

**Sredstvo za ispiranje**

Ukoliko je uključena ikonica indikatora , u mašini za pranje sudova nema dovoljno sredstva za ispiranje i potrebno ga je dopuniti.

**So**

Ukoliko je uključena ikonica indikatora , u mašini za pranje sudova nema dovoljno soli i potrebno je dopuniti.

Omekšivač vode

Omekšivač vode se mora ručno podesiti pomoću brojčanika za tvrdoću vode.

Omekšivač vode je napravljen da iz vode ukloni minerale i soli, koji bi inače imali štetno ili nepovoljno dejstvo po rad uređaja.

Što je veći sadržaj minerala u vodi koju koristite, to je ona tvrđa.

Količinu omekšivača treba podesiti prema tvrdoći vode u oblasti u kojoj živite.

Od lokalnog nadležnog organa zaduženog za vodu možete dobiti informacije u vezi sa tvrdoćom vode u oblasti u kojoj živite.

Podešavanje utroška soli

Mašina za pranje sudova je napravljena tako da omogućava podešavanje količine utrošene soli na osnovu tvrdoće vode koja je u upotrebi. Cilj je da se nivo utroška soli optimizuje i prilagodi svakom zasebnom slučaju.

Za podešavanje utroška soli, pratite sledeće korake.

1. Otvorite vrata i uključite uređaj;
2. Pritisnite taster Program i zadržite pritisak duže od 5 sekundi kako biste aktivirali podešeni režim ispuštanja omekšivača vode u roku od 60 sekundi nakon uključivanja uređaja;
3. Pritisnite taster Program kako biste odabrali odgovarajuće podešavanje u skladu sa Vašim okruženjem. Podešavanja će se smenjivati sledećim redosledom: H1->H2->H3->H4->H5->H6;
4. Pritisnite taster za uključivanje/isključivanje kako biste kompletirali postupak podešavanja.

TVRDOĆA VODE				Nivo omekšivača vode	Regeneracija se dešava na svakih X program sekvenci ¹⁾	Potrošnja soli (grama/ ciklusu)
Nemački °dH	Francuski °fH	Britanski °Klarkov	Mmol/l			
0 - 5	0 - 9	0 - 6	0 - 0.94	H1	Nema regeneracije	0
6 - 11	10 - 20	7 - 14	1.0 - 2.0	H2	10	9
12 - 17	21 - 30	15 - 21	2.1 - 3.0	H3	5	12
18 - 22	31 - 40	22 - 28	3.1 - 4.0	H4	3	20
23 - 34	41 - 60	29 - 42	4.1 - 6.0	H5	2	30
35 - 55	61 - 98	43 - 69	6.1 - 9.8	H6	1	60

1°dH=1.25 °fH=0.178mmol/l °Klarkov=1.78

Fabričko podešavanje: H3. Za informacije u vezi sa tvrdoćom vode koju koristite, kontaktirajte lokalni nadležni organ zadužen za vodu.

¹⁾ Svaki ciklus sa opcijom regeneracije troši dodatnih 2l vode, potrošnja energije se povećava za 0.02 kWh, a program se produžava za 4 minuta.



NAPOMENA

Ukoliko nema dovoljno soli u mašini za pranje sudova, pogledajte odeljak 3 „Sipanje soli u omekšivač“, koji se nalazi u DELU I: Uopšteno uputstvo.



NAPOMENA

Ukoliko Vaš model uređaja nema opciju upotrebe omekšivača za vodu, ovaj deo možete preskočiti.

Omekšivač za vodu

Tvrdoća vode varira od mesta do mesta. Ukoliko se prilikom pranja sudova u mašini upotrebljava tvrda voda, na posudu i pribor će se formirati naslage. Uređaj je opremljen posebnom pregradom za omekšivač i ima posudu za so, što je posebno dizajnirano za eliminisanje kamenca i minerala iz vode.

Pripremanje i raspoređivanje posuđa u mašini

- Razmislite o tome da kupujete posuđe koje se može prati u mašini za pranje sudova.
- Prilikom pranja određenih predmeta, izaberite program sa najmanjom mogućom temperaturom.
- Kako biste sprečili oštećenja, nemojte vaditi čaše i pribor za jelo iz mašine za pranje sudova odmah po završetku programa.

Sledeći tipovi pribora za jelo/posuđa

nisu pogodni za pranje:

- Pribor za jelo sa drvenim, rožanim, porcelanskim ili sedefnim drškama
- Plastični predmeti koji nisu otporni na visoke temperature
- Stariji tipovi pribora za jelo sa zalepljenim delovima koji nisu otporni na visoke temperature
- Lepljeni pribor za jelo ili posuđe
- Posuđe od legure kalaja i olova ili od bakra
- Kristalne čaše
- Posuđe od čelika podložnog rđanju
- Drveni ovali
- Posuđe od sintetičkih vlakana

su delimično pogodni za pranje:

- Neke vrste čaša mogu da posle većeg broja ciklusa pranja izgube sjaj
- Delovi od srebra i aluminijuma obično promene boju tokom pranja
- Ukoliko se često peru u mašini, glazirani elementi mogu da potamne

Preporuke za raspoređivanje posuđa u mašini

Uklonite veće komade preostale hrane. Razmekšajte ostatke zagorele hrane u tiganjima. Nije neophodno isprati posuđe tekućom vodom. Za najbolji učinak mašine za pranje sudova, pratite sledeće smernice za raspoređivanje posuđa u mašini.

(Karakteristike i izgled korpi i korpi za pribor za jelo mogu se razlikovati od korpi u okviru Vašeg modela.)

Predmete rasporedite u mašini za pranje sudova na sledeći način:

- Posuđe poput šolja, čaša, šerpi/tiganja itd. postavite u obrnuti položaj.
- Zakrivljeno posuđe i posuđe sa nepristupačnim delovima treba postaviti dijagonalno, kako bi voda mogla da se nesmetano sliva.
- Kompletan pribor treba naslagati tako da bude stabilan i da se ne prevrne.
- Kompletan pribor treba postaviti tako da ručice prskalice mogu da se slobodno okreću tokom procesa pranja.
- Šuplje posuđe, poput šolja, čaša, tiganja itd., postavite tako da otvor bude okrenut ka dole, kako se voda ne bi sakupljala u posudi ili dubokom dnu.
- Posuđe i pribor za jelo se ne smeju smeštati jedni u druge i zaklanjati jedni druge.
- Kako biste izbegli oštećenje čaša, povedite računa da se one ne dodiruju.
- Gornja korpa je predviđena za delikatnije i lakše posuđe, poput čaša i šolja za kafu i čaj.
- Noževi dugih sečiva postavljeni u uspravan položaj predstavljaju potencijalnu opasnost!
- Dugi i / ili oštri komadi pribora za jelo, poput noževa za sečenje, moraju se postavljati u gornju korpu, u horizontalnom položaju.

- Nemojte preterano opteretiti svoju mašinu za pranje sudova. Postoje dobri razlozi zbog kojih je ovu smernicu važno ispoštovati, a jedan od razloga je i razumna potrošnja energije

NAPOMENA

Izuzetno male predmete ne treba prati u mašini za pranje sudova, jer mogu lako ispasti iz korpi.

Vađenje posuda

Kako biste sprečili kapanje vode sa gornje na donju korpu, preporučujemo Vam da najpre izvadite sadržaj donje, a onda i gornje korpe

UPOZORENJE!



Posuđe će biti vrelo! Kako ne bi došlo do oštećenja, sačekajte da od završetka programa prođe oko 15 minuta, pa onda izvadite čaše i pribor za jelo iz mašine za pranje sudova.

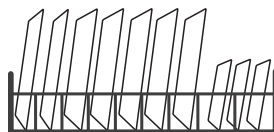
Raspoređivanje posuda u gornju korpu

Gornja korpa je predviđena za delikatnije i lakše posuđe, poput čaša, šolja za kafu i čaj i tacni, kao i tanjira, malih činija i plitkih tiganja (ukoliko nisu preterano zaprljani). Posuđe i elemente za kuvanje postavite tako da ne može da ih pomeri mlaz vode.



Raspoređivanje posuda u donju korpu

Predlažemo Vam da u donju korpu rasporedite velike posuđe, kao i posuđe koje se najteže pere, poput šerpi, tiganja, poklopaca, servisnog posuđa i činija, na način prikazan na slici. Najbolje je da servisno posuđe i poklopce postavite sa strane polica, kako ne biste blokirali okretanje gornje ručice prskalice. Savetuje se da se ispred posude za deterženje ne stavljaju tanjiri čiji je prečnik veći od 19 cm, da ne bi došlo do njenog blokiranja.



Raspoređivanje posuda u korpu za pribor za jelo

Pribor za jelo treba razvrstati u polici za pribor za jelo, tako da svaki element pribora za jelo stoji zasebno, na za njega predviđenom mestu. Osim toga, povedite računa da pribor ne bude pregusto grupisan, jer to za rezultat može imati loš učinak mašine.

UPOZORENJE!



Ne dozvolite da delovi posuđa proviruju kroz dno. Oštar pribor uvek postavljajte sa oštrim vrhom okrenutim ka dole!

NAPOMENA

Za najbolji efekat pranja, posuđe raspoređujte u korpe u skladu sa standardnim načinima raspoređivanja, navedenim u poslednjem odeljku DELA I: Uopšteno uputstvo

Uloga sredstva za ispiranje i deterdženta


Sredstvo za ispiranje se ispušta tokom poslednjeg ispiranja kako bi sprečilo da se voda na Vašem posudu formira u kapi, koje mogu da ostave kružne i prugaste mrlje. Osim toga, ovo sredstvo poboljšava sušenje jer vodi omogućava da sklizne sa posuda. Predviđeno je da se u Vašoj mašini za pranje sudova upotrebljavaju tečna sredstva za ispiranje.

UPOZORENJE!

U mašinu za pranje sudova stavlajte samo brendirana sredstva za ispiranje. Nikada ne stavlajte neke druge supstance (npr. sredstvo za čišćenje mašine za pranje sudova, tečni deterdžent) u posudu za sredstvo za ispiranje. Na taj način možete oštetiti uređaj.

Kada je potrebno dopuniti sredstvo za ispiranje

Učestalost potrebe za dopunjavanjem rezervoara zavisiće od učestalosti pranja sudova i od aktiviranog podešavanja za sredstvo za ispiranje.

- Indikator koji ukazuje na nizak nivo sredstva za ispiranje u rezervoaru () uključice se kada bude potrebno dodati sredstvo za ispiranje.
- Nemojte prepunjavati rezervoar sredstva za ispiranje.

Uloga deterdženta

Hemijski sastojci u deterdžentu su neophodni za skidanje, usitnjavanje i izbacivanje svih vrsta prljavštine iz mašine za pranje sudova. Većina deterdženata komercijalnog kvaliteta odgovara ovoj svrsi.

UPOZORENJE!

Odgovarajuća upotreba deterdženta

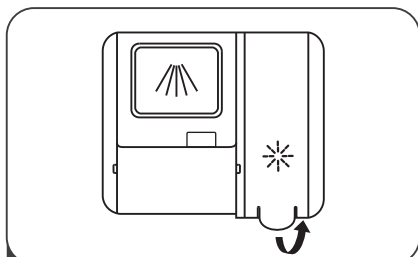
Upotrebljavajte isključivo deterdžente posebno napravljene za mašine za pranje sudova. Čuvajte deterdžente tako da ostanu sveži i suvi. Ne stavlajte praškaste deterdžente u posudu za deterdžent sve dok ne budete spremni da uključite mašinu za pranje sudova.



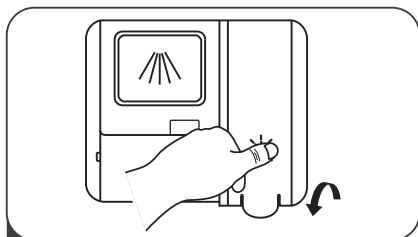
Deterdžent za mašinsko pranje sudova je korozivan!

Držite deterdžent za mašinsko pranje sudova van dohvata dece.

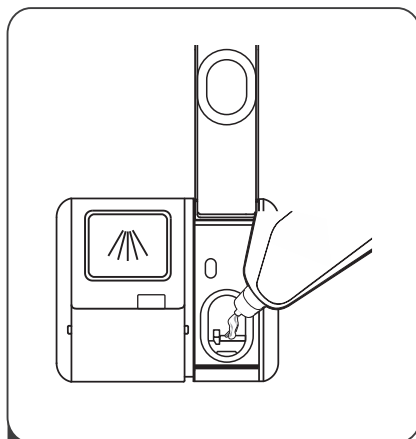
Dopuna sredstva za ispiranje



- 1 Uklonite poklopac rezervoara sredstva za ispiranje tako što ćete podići ručicu.



- 3 Nakon obavljenog postupka, zatvorite poklopac.



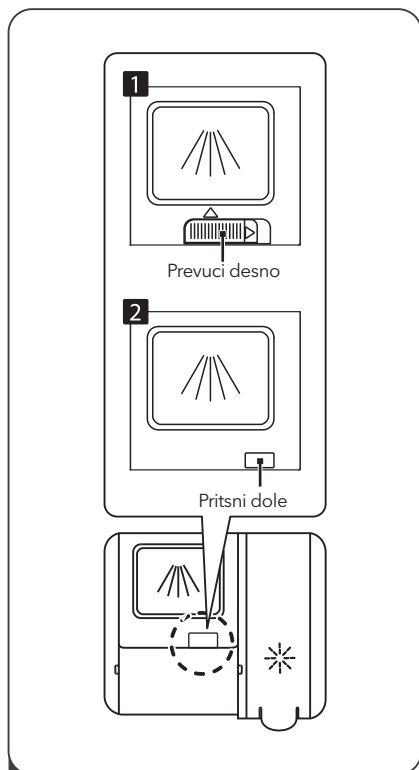
- 2 Sipajte sredstvo za ispiranje u rezervoar, pazeći pritom da ga ne prepunite.

Podešavanje rezervoara sredstva za ispiranje

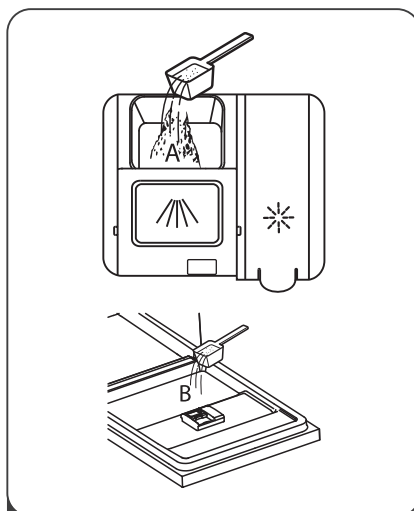
Da bi se postigao bolji učinak prilikom sušenja, a uz ograničenu upotrebu sredstva za ispiranje, mašina za pranje sudova je dizajnirana tako da omogući podešavanje potrošnje zavisno od potreba korisnika. Pratite sledeće korake.

1. Zatvorite vrata i uključite uređaj.
2. U roku od 60 sekundi nakon što ste obavili korak 1, pritisnite taster za odabir programa i zadržite pritisak duže od 5 sekundi, a zatim pritisnite taster za odloženi start kako biste pristupili opcijama za podešavanje; indikator sredstva za ispiranje će treperiti pri frekvenciji od 1 Hz.
3. Pritisnite taster za odabir programa kako biste odabrali odgovarajuće podešavanje, u skladu sa Vašim navikama pri pranju sudova. Podešavanja će se smenjivati sledećim redosledom: D1->D2->D3->D4->D5->D1. Što je broj veći, to će biti i veća količina sredstva za ispiranje koju mašina za pranje sudova koristi.
4. Pritisnite taster za uključivanje/isključivanje kako biste kompletirali postupak podešavanja.

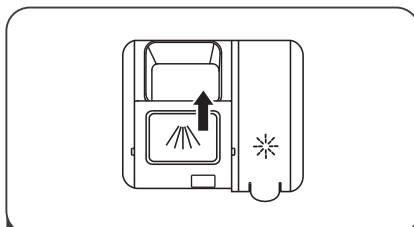
Punjenje posude za deterdžent



- 1 Način otvaranja birajte zavisno od realnog uređaja.
1. Otvorite poklopac tako što ćete kliznim pokretom prevući rezu za otpuštanje.
 2. Otvorite poklopac pritiskom na rezu za otpuštanje.



Dodajte deterdžent u veći otvor (A) za glavni ciklus pranja. Za postizanje boljih rezultata prilikom pranja, posebno ukoliko imate izuzetno zaprljano posuđe, sipajte malu količinu deterdženta na vrata. Ova dodatna količina deterdženta će se aktivirati tokom faze pretpranja.



Zatvorite poklopac tako što ćete ga kliznim pokretom prevući ka prednjem delu, a zatim ga utisnuti.







NAPOMENA

- Imajte u vidu da podešavanja mogu da se razlikuju zavisno od stepena zaprljanosti vode.
- Pridržavajte se preporuka proizvođača navedenih na ambalaži deterdženta.

Tabela ciklusa pranja

U tabeli ispod prikazani su najprikladniji programi prema stepenu ostataka hrane na posudu i potrebnoj količini deterdženta. Osim toga, prikazani su i razni podaci u vezi sa programima. Vrednosti potrošnje i trajanje programa su orijentacione, osim za EKO (Ekološki) program.

● Označava da program koristi sredstvo za ispiranje u poslednjem ciklusu

Program	Opis ciklusa	Deterdžent za pretpranje/ glavno pranje	Vreme trajanja ciklusa (min)	Energija (kWh)	Voda (L)	Sredstvo za ispiranje
 Auto	Pretpranje(50 °C) Pranje(65 °C) Ispiranje Ispiranje(65 °C) Sušenje	$\frac{4/18g}{(1 \text{ or } 2 \text{ tabs})}$	85-150	0.921- 1.302	10.0-15.0	●
 Intenzivno	Pretpranje(50 °C) Pranje(65 °C) Ispiranje Ispiranje Ispiranje(65 °C) Sušenje	$\frac{4/18g}{(2 \text{ tabs})}$	205	1.579	18.0	●
 Univerzalno	Pretpranje (45 °C) Pranje (55 °C) Ispiranje Ispiranje (65 °C) Sušenje	$\frac{4/18g}{(2 \text{ tabs})}$	175	1.268	13.8	●
ECO (*EN60436)	Pranje(45 °C) Ispiranje Ispiranje(60 °C) Sušenje	$\frac{22g}{(2 \text{ tabs})}$	230	0.951	10.0	●
 Čaše	Pretpranje Pranje (50°C) Ispiranje Ispiranje (65°C) Sušenje	$\frac{4/18g}{(2 \text{ tabs})}$	120	1.094	14.1	●
 90 Min	Pranje (60 °C) Ispiranje Ispiranje (65 °C) Sušenje	$\frac{22g}{(2 \text{ tabs})}$	90	1.079	11.7	●
 Ubrzano	Pranje (50°C) Ispiranje Ispiranje (45°C)	$\frac{20g}{(1 \text{ tab})}$	30	0.731	11.2	○

NAPOMENA

ECO (*EN 60436)

EKO (Ekološki) program je pogodan za pranje normalno zaprljanog posuda što je (*EN60436) za ovu upotrebu najefikasniji program u smislu kombinovane potrošnje energije i vode i koristi se za procenu usklađenosti sa zakonodavstvom EU o ekodizajiranju.

Ušteda energije

1. Prethodno ispiranje posuda dovodi do povećane potrošnje vode i energije i ne preporučuje se.
2. Pranje posuda u mašini za pranje sudova u domaćinstvu obično troši manje energije i vode u fazi upotrebe nego ručno pranje kada se mašina za pranje sudova za domaćinstvo koristi u skladu sa uputstvima.

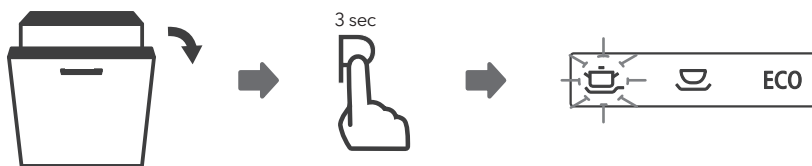
Započinjanje ciklusa pranja

1. Izvucite donju i gornju korpu, rasporedite posude i vratite ih u mašinu. Preporučuje se da najpre rasporedite posude na donjoj, a zatim na gornjoj korpi.
2. Sipajte deterdžent.
3. Priključite utikač u utičnicu. Za podatke o napajanju, pogledajte odeljak "Karakteristike proizvoda" na poslednjoj strani.
4. Zatvorite vrata i pritisnite taster Uključivanje/Isključivanje kako biste uključili mašinu.
5. Izaberite program, nakon čega će se uključiti svetlo indikacije. Zatim pritisnite taster Početak/Pauziranje i mašina za pranje sudova će započeti svoj ciklus.

Menjanje programa u toku započetog ciklusa

Program se može promeniti samo ako je radio samo kratak period, inače je deterdžent možda već ispušten ili je voda za pranje sa deterdžentom već ispuštena. Ako je to slučaj, mašinu za pranje sudova treba resetovati i dozator deterdženta ponovo napuniti. Da biste resetovali mašinu za pranje sudova, sledite uputstva u nastavku:

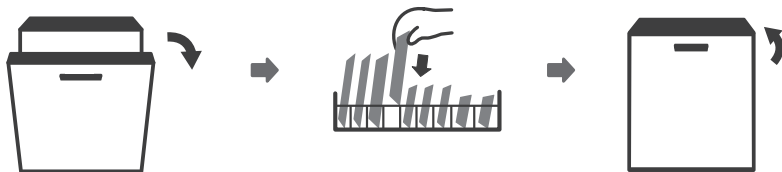
1. Otvorite malo vrata da zaustavite mašinu za pranje sudova, nakon što je prskalica prestala da radi, možete potpuno otvoriti vrata.
2. Pritisnite dugme Program umesto mene i ovde za nekoliko sekundi, mašina će biti u režimu za izbor programa.
3. Možete promeniti program na željenu postavku ciklusa.



Zaboravili ste da dodate posudu?

Posudu koju ste zaboravili da stavite u mašinu možete dodati u bilo kom trenutku pre nego što se otvori posuda za deterdžent. U tom slučaju, pratite sledeća uputstva:

1. Pritisnite taster Početak/Pauziranje. Mašina za pranje sudova će nakon 10 sekundi početi da radi.
2. Sačekajte 5 sekundi, a zatim otvorite vrata.
3. Dodajte posude koje ste zaboravili da stavite u mašinu.
4. Zatvorite vrata. Mašina za pranje sudova će nakon 10 sekundi početi da radi.



WARNING!



Opasno je otvarati vrata mašine u toku započetog ciklusa, jer možete zadobiti opekotine od vrela pare.

OZNAKE GREŠAKA

U slučaju nepravilnog rada, na mašini za pranje sudova će biti prikazane oznake grešaka, kojima se identifikuju sledeći slučajevi:

Oznake	Značenje	Mogući razlozi
E1	Produženo vreme primanja vode.	Slavine nisu odvrnute ili je ulaz vode blokiran ili je pritisak vode prenizak.
E3	Ne može se dostići zadata temperatura.	Neispravan grejač.
E4	Prelivanje.	Neki deo mašine za pranje sudova propušta vodu.
Ed	Prekid komunikacije između glavne štampane ploče i štampane ploče za displej.	Otvoreno kolo ili prekid veza za uspostavljanje komunikacije.

! UPOZORENJE!

- Ukoliko dode do preliivanja vode, pre nego što pozovete servis, isključite glavni ventil za vodu.
- Ukoliko na dnu mašine ima vode zbog preliivanja ili manjeg propuštanja vode, pre ponovnog pokretanja mašine za pranje sudova ovu vodu treba ukloniti.
- Ukoliko postoji kod greške koji se ne može rešiti, zatražite stručnu pomoć.

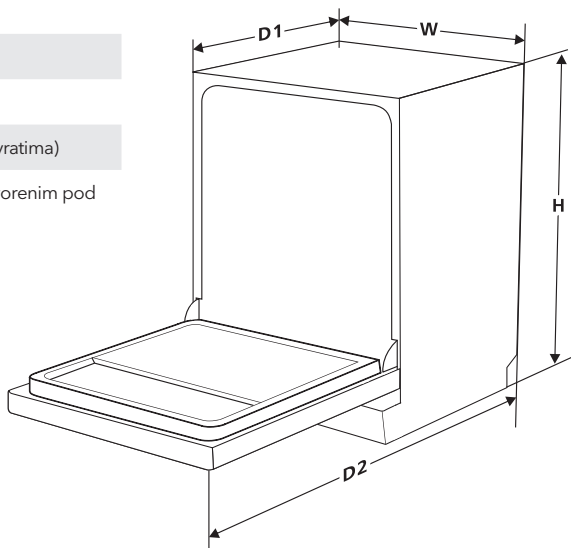
TEHNIČKI PODACI

Visina (H) 815 mm

Širina (W) 598 mm

Dubina (D1) 550 mm (sa zatvorenim vratima)

Dubina (D2) 1175 mm (sa vratima otvorenim pod uglom od 90°)



Lista sa informacijama o proizvodu

DELEGIRANA UREDBA KOMISIJE (EU) 2019/2017

u smislu navođenja energetske oznake na mašinama za pranje posuda u domaćinstvu

Naziv ili zaštitni znak dobavljača: TESLA

Adresa dobavljača: Tesla Electronics, Litjiska 47, 1000 Ljubljana, SI

Identifikaciona oznaka modela: WD690MW/WD690MX

Opšti parametri proizvoda: WDI690M

Parametar	Vrednost	Parameter	Value	
Nominalni kapacitet (*) (ps)	14	Dimenzije u cm	Visina	815
			Širina	598
			Dubina	550
Indeks energetske efikasnosti - EEI (*)	55,9	Klasa energetske efikasnosti (*)	E	
Indeks performansi prilikom čišćenja (*)	1,125	Indeks performansi prilikom sušenja (*)	1,065	
Potrošnja energije u kWh [po ciklusu], na osnovu eko programa uz upotrebu hladne vode za dopunjavanje. Stvarna potrošnja energije zavisice od načina na koji se uređaj upotrebljava.	0,951	Potrošnja vode u litrima [po ciklusu], na osnovu eko programa. Stvarna potrošnja vode zavisice od načina na koji se uređaj upotrebljava i od tvrdoće vode.	10,0	
Trajanje programa (*) (h:min)	3:50	Tip	Ugradni	
Emisija buke u vazduhu (*) (dB(A) re 1 pW)	44	Klasa emisije buke u vazduhu (*)	B	
Režim Isključeno (W) (ukoliko je primenjivo)	0,49	Režim pripravnosti (W) (ukoliko je primenjivo)	-	
Odloženi početak (W) (ukoliko je primenjivo)	0,27	Mrežna pripravnost (W) (ukoliko je primenjivo)	-	

Minimalno trajanje garancije koju daje dobavljač: 24 meseca

Dodatne informacije:

Link ka veb-sajtu dobavljača gde se mogu pronaći informacije iz tačke 6 Aneksa II Uredbe Komisije (EU) 2019/2022: tesla.info

(*) za ECO program

Odlaganje



- Za odlaganje ambalaže i samog uređaja, obratite se centru za recikliranje. Isecite priključni kabl i onesposobite mehanizam za zatvaranje vrata na uređaju.
- Kartonska ambalaža je proizvedena od recikliranog papira i treba je odložiti na mesto za prikupljanje papirnog otpada radi ponovnog recikliranja.
- Pravilnim odlaganjem ovog proizvoda, pomoćićete u sprečavanju pojave potencijalno negativnih posledica po životnu sredinu i zdravlje ljudi, koje bi se inače javile usled neodgovarajućeg odlaganja ovog proizvoda.
- Za više informacija o recikliranju ovog proizvoda, kontaktirajte lokalno predstavništvo u svom gradu i svoju kompaniju za odlaganje otpada iz domaćinstva.
- **ODLAGANJE: Ne odlažite ovaj proizvod kao nerazvrstan komunalni otpad. Ovakav otpad je neophodno zasebno sabirati radi njegovog posebnog tretiranja.**

TESLA

tesla.info

